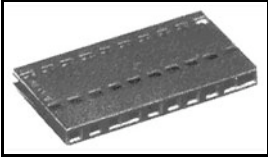


## 487378-7 Product Details

[Share](#) [Print](#) [Email](#)




**487378-7**

TE Internal Number: 487378-7

 Active

[View 3D PDF](#)

### Flexible Film Connectors

 Always EU RoHS/ELV Compliant  
(Statement of Compliance)

### Product Highlights:

- Connector
- Housing
- Connector Style = Receptacle
- Contact Type = Socket
- 2.54 mm Centerline

[View all Features](#)

### Quick Links

- ▶ [Pricing & Availability](#)
- ▶ [Search for Tooling](#)
- ▶ [View Mating Products \(8\)](#)
- ▶ [View Contacts \(17\)](#)
- ▶ [Product Feature Selector](#)
- ▶ [Contact Us About This Product](#)

[Add to My Part List](#)

[Request Sample](#)

[Find Similar Products](#)

[Buy Product](#)

### Documentation & Additional Information

#### Product Drawings:

- [HOUSING, RECEPTACLE, FFC \(PDF, English\)](#)

#### Catalog Pages/Data Sheets:

- None Available

#### Product Specifications:

- [Connector, Flexible Flat Conductor Cable, .100 Inch ... \(PDF, English\)](#)

#### Application Specifications:

- [Flexible Flat Cable \(FFC\) Housings with Contact Cavi... \(PDF, English\)](#)

#### Instruction Sheets:

- [Extraction Tools \(PDF, English\)](#)

#### CAD Files: (CAD Format & Compression Information)

- [2D Drawing \(DXF, Version AE\)](#)
- [3D Model \(IGES, Version AE\)](#)
- [3D Model \(STEP, Version AE\)](#)

[List all Documents](#)

#### Additional Information:

- [Product Line Information](#)

#### Additional Product Images:

- [Typical Application](#)

#### Related Products:

- [Tooling](#)
- [Mating Products \(8\)](#)
- [Contacts \(17\)](#)

### Product Features (Please use the Product Drawing for all design activity)

#### Product Type Features:

- [Product Type](#) = Connector
- [Connector Type](#) = Housing
- [Type of Connector](#) = Slimline
- [Wire/Cable Type](#) = FFC
- [Mating Connector Lock](#) = Without
- [Flame Retardant](#) = Yes

#### Mechanical Attachment:

- [Panel Mount Retention](#) = Without
- [Mounting Ears](#) = Without

#### Contact Features:

- [Contact Type](#) = Socket

#### Housing Features:

- [Connector Style](#) = Receptacle
- [Centerline \(mm \[in\]\)](#) = 2.54 [0.100]
- [Mating Alignment](#) = Without

#### Configuration Features:

- [Number of Positions](#) = 8
- [Number of Rows](#) = Single

#### Industry Standards:

- [RoHS/ELV Compliance](#) = RoHS compliant, ELV compliant
- [Lead Free Solder Processes](#) = Not relevant for lead free process
- [RoHS/ELV Compliance History](#) = Always was RoHS compliant
- [UL Flammability Rating](#) = UL 94V-0

#### Conditions for Usage:

- [Applies To](#) = Cable

#### Other:

- [Brand](#) = AMP

- Housing Material = Thermoplastic - GF

### Corporate Information

[About TE](#)  
[Investors](#)  
[News Room](#)  
[Supplier Portal](#)  
[Careers](#)  
[Terms & Conditions](#)  
[Privacy Policy](#)  
[AODA Accessibility Policy](#)  
[AODA Multi-Year Accessibility Plan](#)

### Quick Links

[Distributor Inventory](#)  
[Product Cross Reference](#)  
[Documents & Drawings](#)  
[Product Compliance Support Center](#)  
[Site Map](#)

### Customer Support

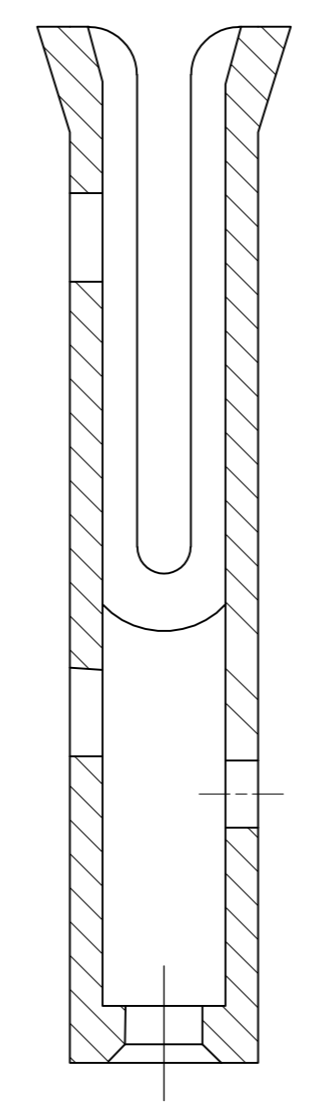
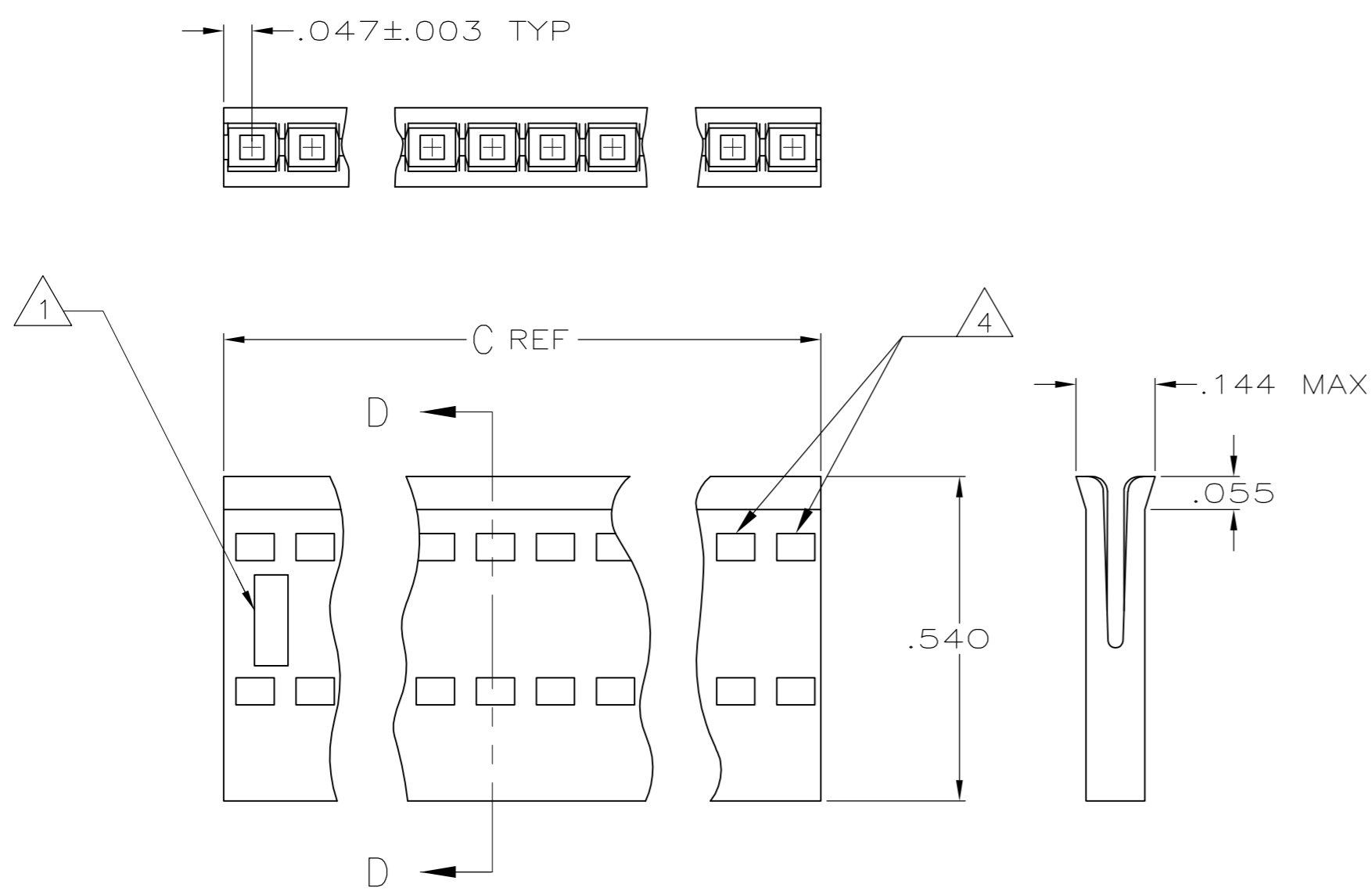
[Email or Chat With Us](#)  
[Find a Phone Number](#)  
[Knowledge Base](#)  
[Manage Your Account](#)

### Keep Me Informed

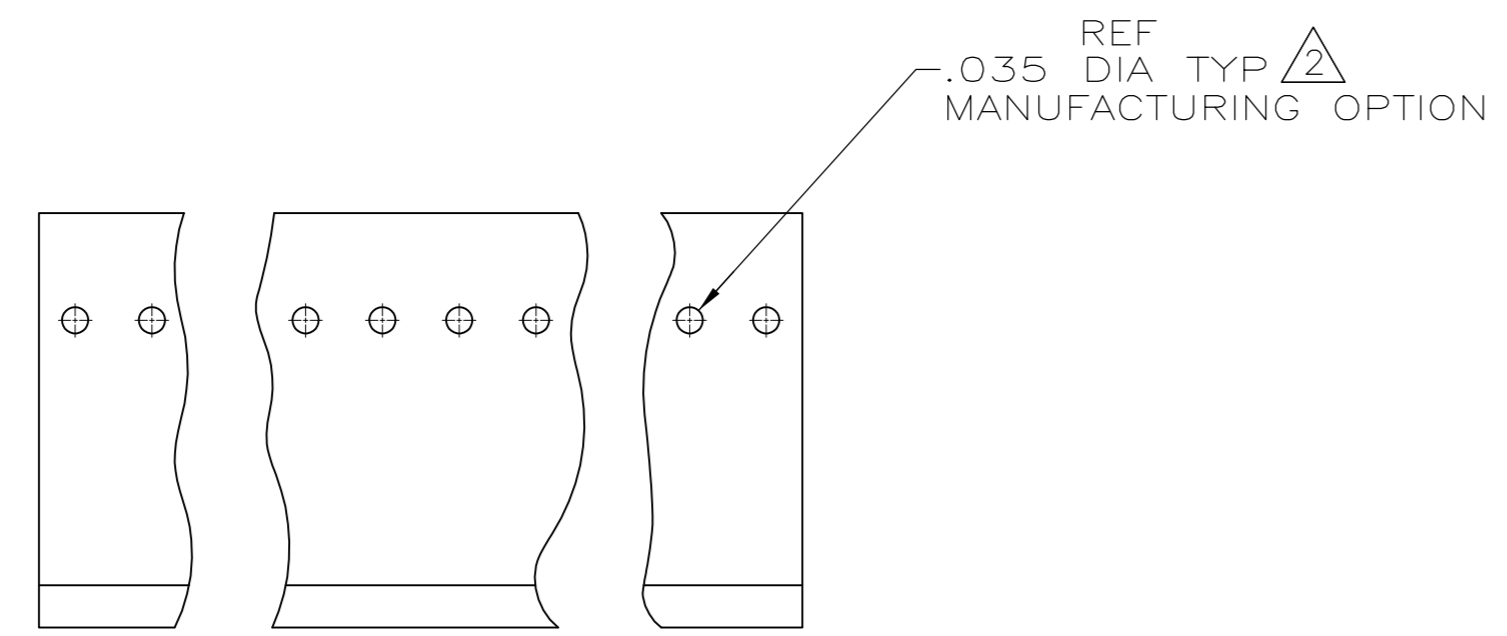
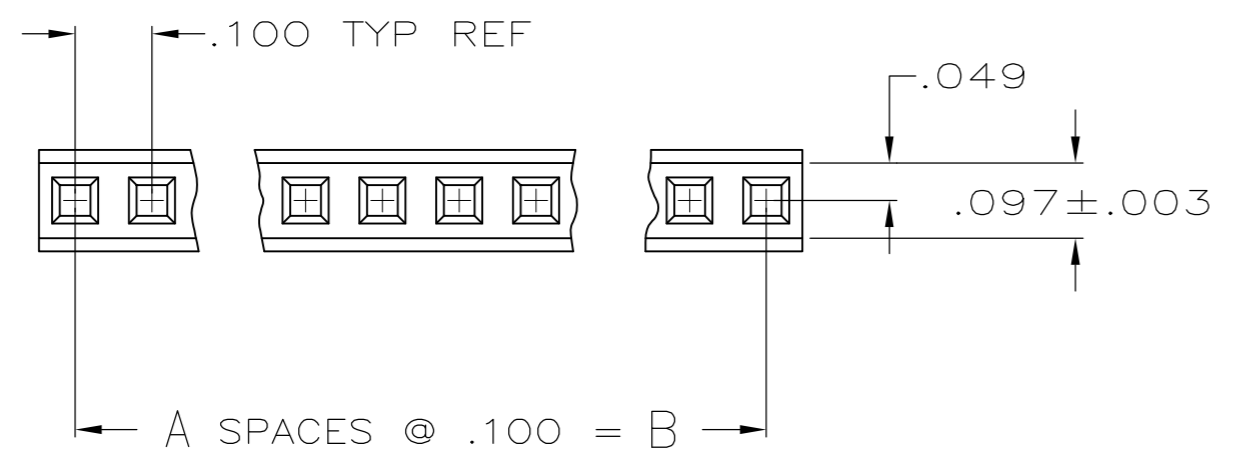


THIS DRAWING IS UNPUBLISHED. RELEASED FOR PUBLICATION  
 © COPYRIGHT - By - ALL RIGHTS RESERVED.

LOC	DIST	REVISIONS					
GP	00	P	LTR	DESCRIPTION	DATE	DWN	APVD
		V		REVISED PER ECO-11-017188	06DEC2011	CJV	CWR



- 1 AMP TRADEMARK AND MOLD CAVITY IDENTIFICATION LOCATED AT EITHER END OF THE HOUSING IN APPROXIMATE LOCATION SHOWN.
- 2 THIS HOLE IS FOR MOLDING PURPOSES ONLY AND MAY BE FLASHED OVER.
- 3 OBSOLETE PARTS: OBSOLETE CIS STREAMLINING PER D.RENAUD/D.SINISI.
- 4 WINDOWS MAY OR MAY NOT BE PRESENT ON THIS END OF THE HOUSING.



OBSOLETE	2.594	2.500	25	26	2-487378-6
	3.394	3.300	33	34	2-487378-5
3 OBSOLETE	2.494	2.400	24	25	2-487378-4
	2.394	2.300	23	24	2-487378-3
3 OBSOLETE	2.294	2.200	22	23	2-487378-2
	2.194	2.100	21	22	2-487378-1
	2.094	2.000	20	21	2-487378-0
	1.994	1.900	19	20	1-487378-9
	1.894	1.800	18	19	1-487378-8
	1.794	1.700	17	18	1-487378-7
	1.694	1.600	16	17	1-487378-6
	1.594	1.500	15	16	1-487378-5
	1.494	1.400	14	15	1-487378-4
	1.394	1.300	13	14	1-487378-3
	1.294	1.200	12	13	1-487378-2
	1.194	1.100	11	12	1-487378-1
	1.094	1.000	10	11	1-487378-0
	.994	.900	9	10	487378-9
	.894	.800	8	9	487378-8
	.794	.700	7	8	487378-7
	.694	.600	6	7	487378-6
	.594	.500	5	6	487378-5
	.494	.400	4	5	487378-4
	.394	.300	3	4	487378-3
	.294	.200	2	3	487378-2
	.194	.100	1	2	487378-1
C REF	B	A	NO OF POSNS	PRODUCT PART NO	

THIS DRAWING IS A CONTROLLED DOCUMENT.

DWN D. DOLLYHIGH 10-17-84  
 CHK D.R. WORTHINGTON 10-17-84  
 APVD -

TE Connectivity

PRODUCT SPEC: 108-9024  
 APPLICATION SPEC: 114-16015

MATERIAL: THERMOPLASTIC  
 FINISH: -

SIZE: A2  
 CAGE CODE: 00779  
 DRAWING NO: C=487378

RESTRICTED TO: -

CUSTOMER DRAWING  
 SCALE: NTS  
 SHEET: 1 of 1  
 REV: V