

Distributed by:

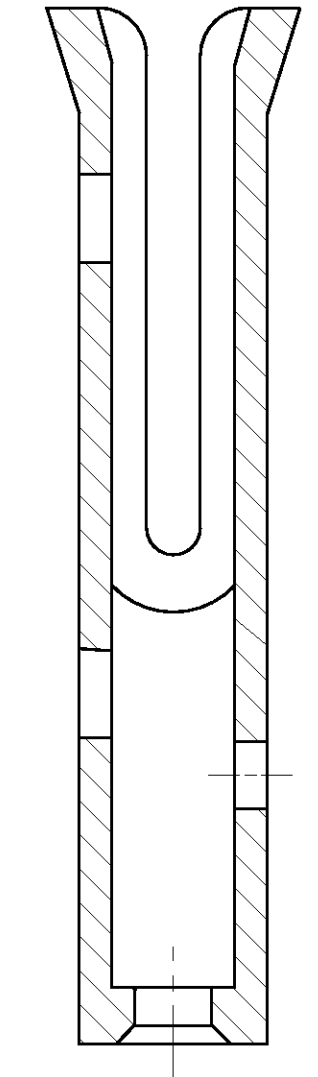
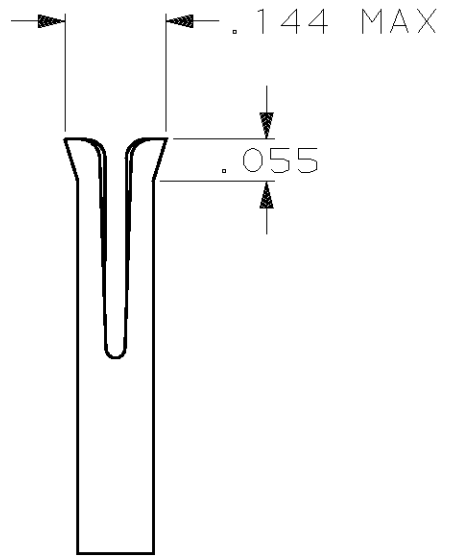
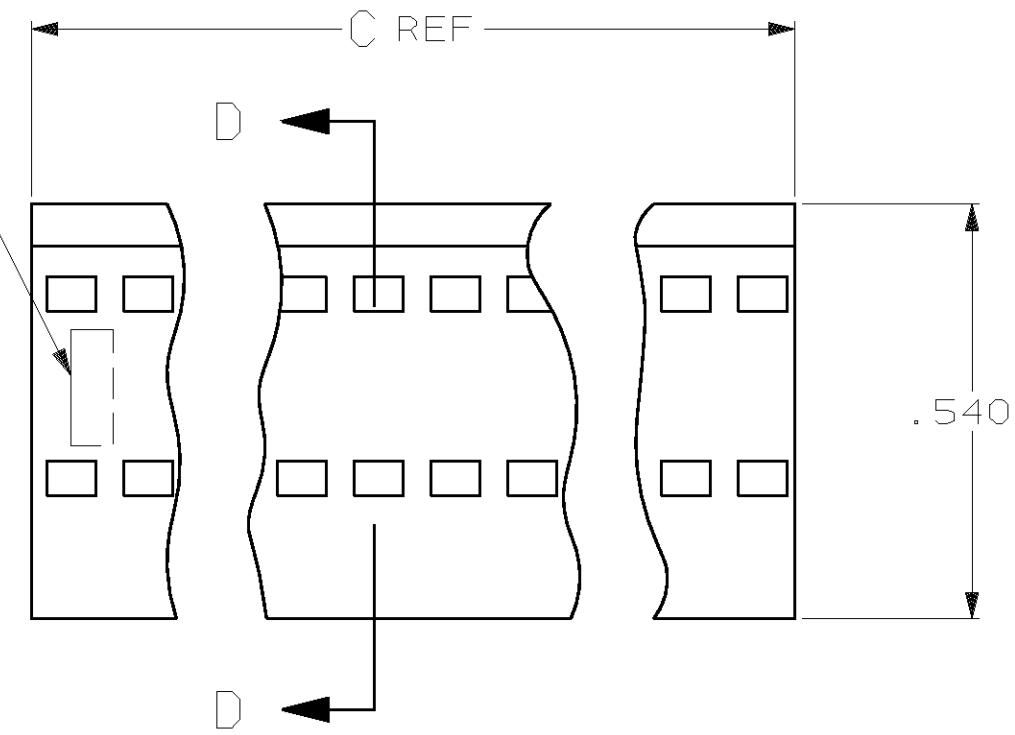
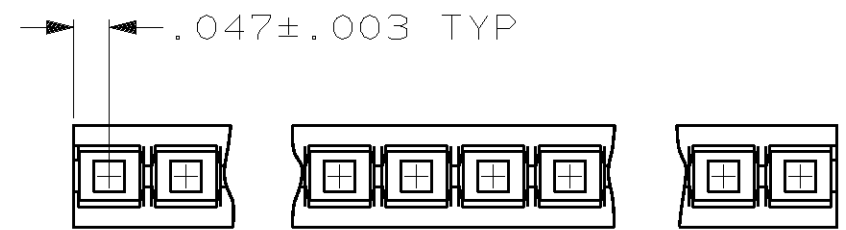
JAMECO[®]
ELECTRONICS

www.Jameco.com ♦ 1-800-831-4242

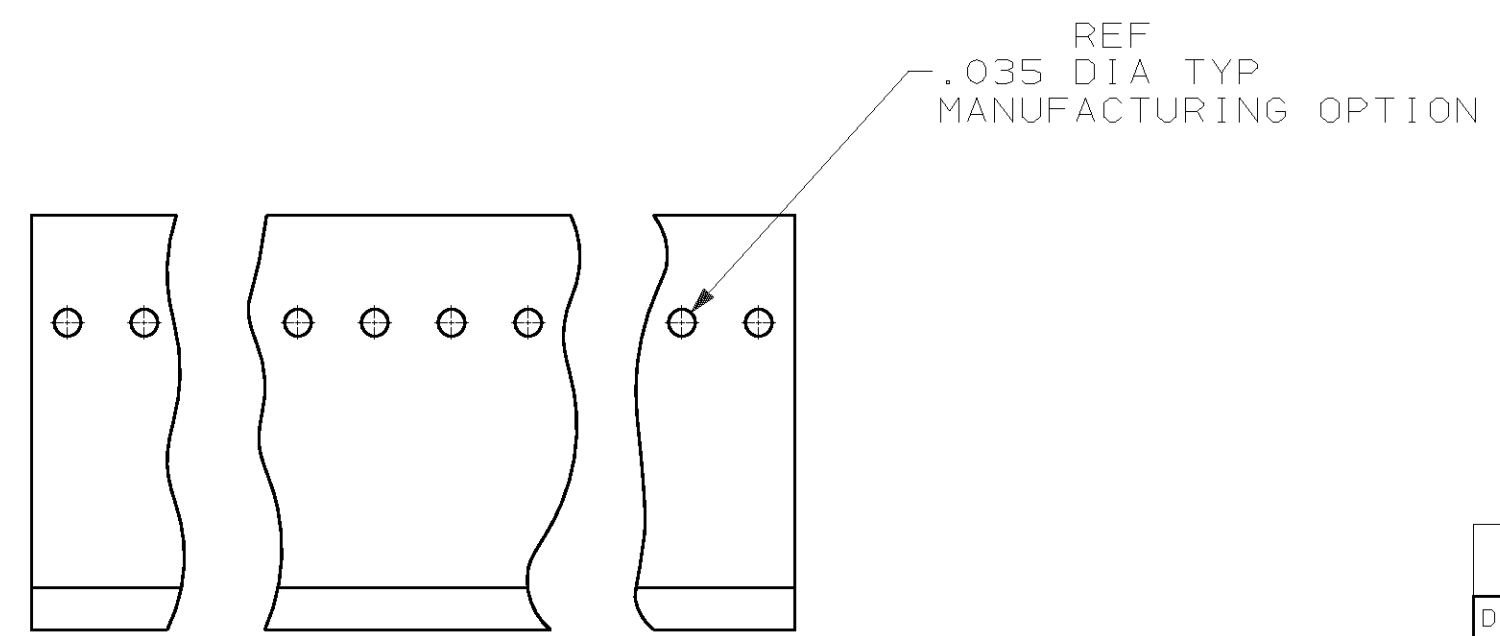
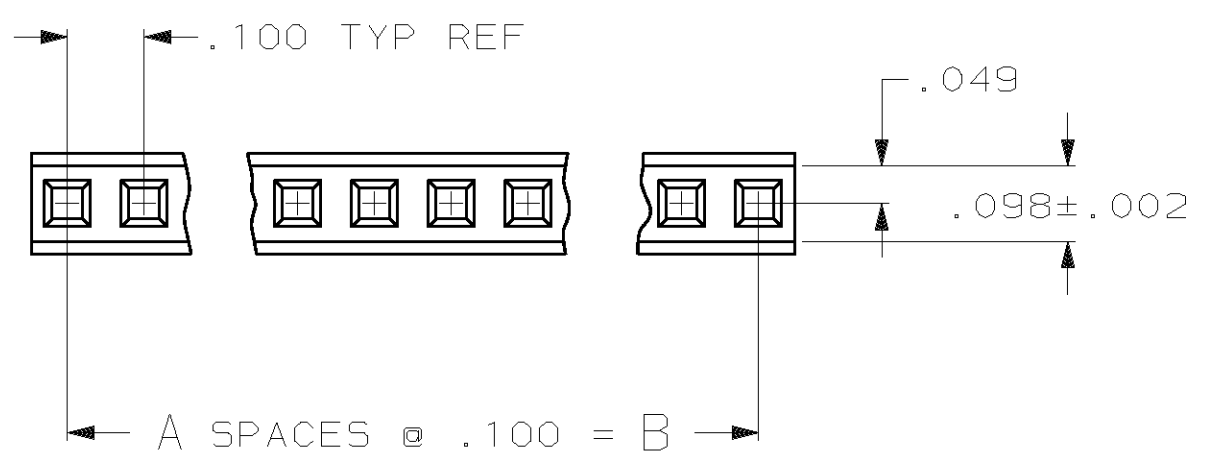
The content and copyrights of the attached
material are the property of its owner.

Jameco Part Number 752659

LOC		DIST		P		F		ZONE		LTR		REVISIONS		DATE	APPD
GP	00											S	REVISED PER EC 0513-0403-03	21MAR04	JG



1 AMP TRADEMARK AND MOLD CAVITY IDENTIFICATION LOCATED AT EITHER END OF THE HOUSING IN APPROXIMATE LOCATION SHOWN.



C REF	B	A	NO OF POSNS	PRODUCT PART NO
2.594	2.500	25	26	2-487378-6
3.394	3.300	33	34	2-487378-5
2.494	2.400	24	25	2-487378-4
2.394	2.300	23	24	2-487378-3
2.294	2.200	22	23	2-487378-2
2.194	2.100	21	22	2-487378-1
2.094	2.000	20	21	2-487378-0
1.994	1.900	19	20	1-487378-9
1.894	1.800	18	19	1-487378-8
1.794	1.700	17	18	1-487378-7
1.694	1.600	16	17	1-487378-6
1.594	1.500	15	16	1-487378-5
1.494	1.400	14	15	1-487378-4
1.394	1.300	13	14	1-487378-3
1.294	1.200	12	13	1-487378-2
1.194	1.100	11	12	1-487378-1
1.094	1.000	10	11	1-487378-0
.994	.900	9	10	487378-9
.894	.800	8	9	487378-8
.794	.700	7	8	487378-7
.694	.600	6	7	487378-6
.594	.500	5	6	487378-5
.494	.400	4	5	487378-4
.394	.300	3	4	487378-3
.294	.200	2	3	487378-2
.194	.100	1	2	487378-1

DO NOT SCALE PRINT. UNLESS SPECIFIED DIMENSIONS IN INCHES TOLERANCES ON : 2 PLC DEC ± - 3 PLC DEC ± .005 ANGLES ± -		DR 10-17-84 D. DOLLYHIGH		AMP Incorporated Harrisburg, PA 17105-3608	
MATERIAL THERMOPLASTIC, FLAME RETARDED, COLOR: BLACK		CHK 10-17-84 D.R. WORTHINGTON			
FINISH -		APPD 10-19-84 J. TONEY		NAME	
		APPD 10-19-84 R. MCHUGH		HOUSING, RECEPTACLE, FFC	
		PRODUCT SPEC 108-9024		DRAWING NO 487378	
		APPLICATION SPEC 114-16015		SIZE C 00779	
		WEIGHT -		SCALE NTS	
				SHEET 1 OF 1	