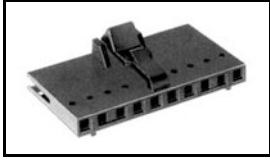


## 487526-1 Product Details

[Share](#) [Print](#) [Email](#)




**487526-1**

TE Internal Number: 487526-1

 Active

[View 3D PDF](#)

### Flexible Film Connectors

 Always EU RoHS/ELV Compliant  
(Statement of Compliance)

### Product Highlights:

- Connector
- Housing
- Connector Style = Receptacle
- Contact Type = Socket
- 2.54 mm Centerline

[View all Features](#)

### Quick Links

- ▶ [Pricing & Availability](#)
- ▶ [Search for Tooling](#)
- ▶ [View Mating Products \(21\)](#)
- ▶ [View Contacts \(17\)](#)
- ▶ [Product Feature Selector](#)
- ▶ [Contact Us About This Product](#)

[Add to My Part List](#)

[Request Sample](#)

[Find Similar Products](#)

[Buy Product](#)

### Documentation & Additional Information

#### Product Drawings:

- [HOUSING, RECEPTACLE, LATCH, POLARIZED, FFC \(PDF, English\)](#)

#### Catalog Pages/Data Sheets:

- None Available

#### Product Specifications:

- [Connector, Flexible Flat Conductor Cable, .100 Inch ... \(PDF, English\)](#)

#### Application Specifications:

- [Flexible Flat Cable \(FFC\) Housings with Contact Cavi... \(PDF, English\)](#)

#### Instruction Sheets:

- [Extraction Tools \(PDF, English\)](#)

#### CAD Files: (CAD Format & Compression Information)

- [2D Drawing \(DXF, Version AT\)](#)
- [3D Model \(IGES, Version AT\)](#)
- [3D Model \(STEP, Version AT\)](#)

[List all Documents](#)

#### Additional Information:

- [Product Line Information](#)

#### Additional Product Images:

- [Typical Application](#)

#### Related Products:

- [Tooling](#)
- [Mating Products \(21\)](#)
- [Contacts \(17\)](#)

### Product Features (Please use the Product Drawing for all design activity)

#### Product Type Features:

- [Product Type](#) = Connector
- [Connector Type](#) = Housing
- [Type of Connector](#) = Slimline
- [Wire/Cable Type](#) = FFC
- [Mating Connector Lock](#) = With
- [Mating Connector Lock Type](#) = Latch
- [Flame Retardant](#) = Yes

#### Mechanical Attachment:

- [Panel Mount Retention](#) = Without
- [Mounting Ears](#) = Without

#### Contact Features:

- [Contact Type](#) = Socket

#### Housing Features:

- [Connector Style](#) = Receptacle

#### Configuration Features:

- [Number of Positions](#) = 2
- [Number of Rows](#) = Single

#### Industry Standards:

- [RoHS/ELV Compliance](#) = RoHS compliant, ELV compliant
- [Lead Free Solder Processes](#) = Not relevant for lead free process
- [RoHS/ELV Compliance History](#) = Always was RoHS compliant
- [UL Flammability Rating](#) = UL 94V-0

#### Conditions for Usage:

- [Applies To](#) = Cable

#### Other:

- [Brand](#) = AMP

- Centerline (mm [in]) = 2.54 [0.100]
- Mating Alignment = Without
- Housing Material = Thermoplastic - GF

### Corporate Information

[About TE](#)  
[Investors](#)  
[News Room](#)  
[Supplier Portal](#)  
[Careers](#)  
[Terms & Conditions](#)  
[Privacy Policy](#)  
[AODA Accessibility Policy](#)  
[AODA Multi-Year Accessibility Plan](#)

### Quick Links

[Distributor Inventory](#)  
[Product Cross Reference](#)  
[Documents & Drawings](#)  
[Product Compliance Support Center](#)  
[Site Map](#)

### Customer Support

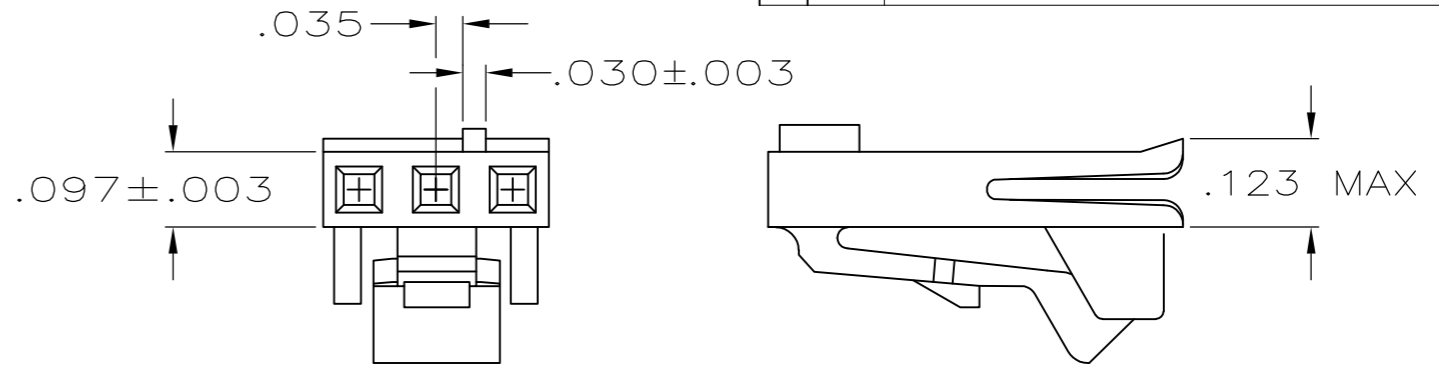
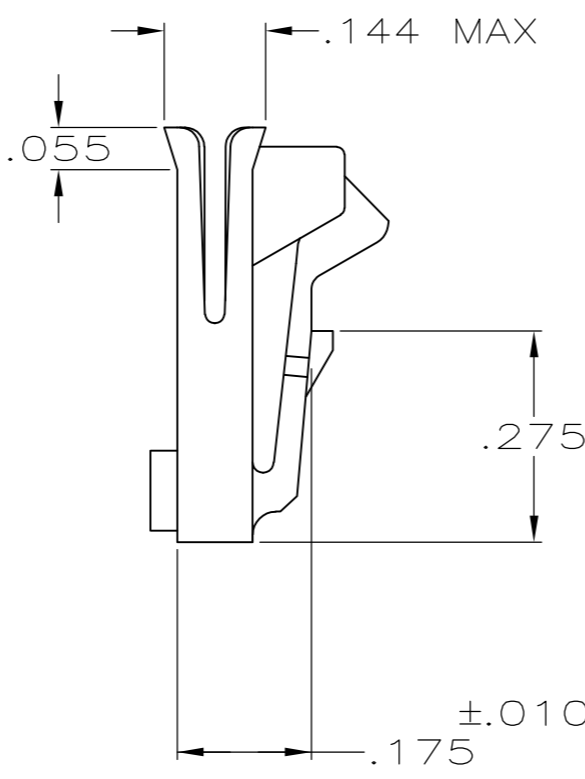
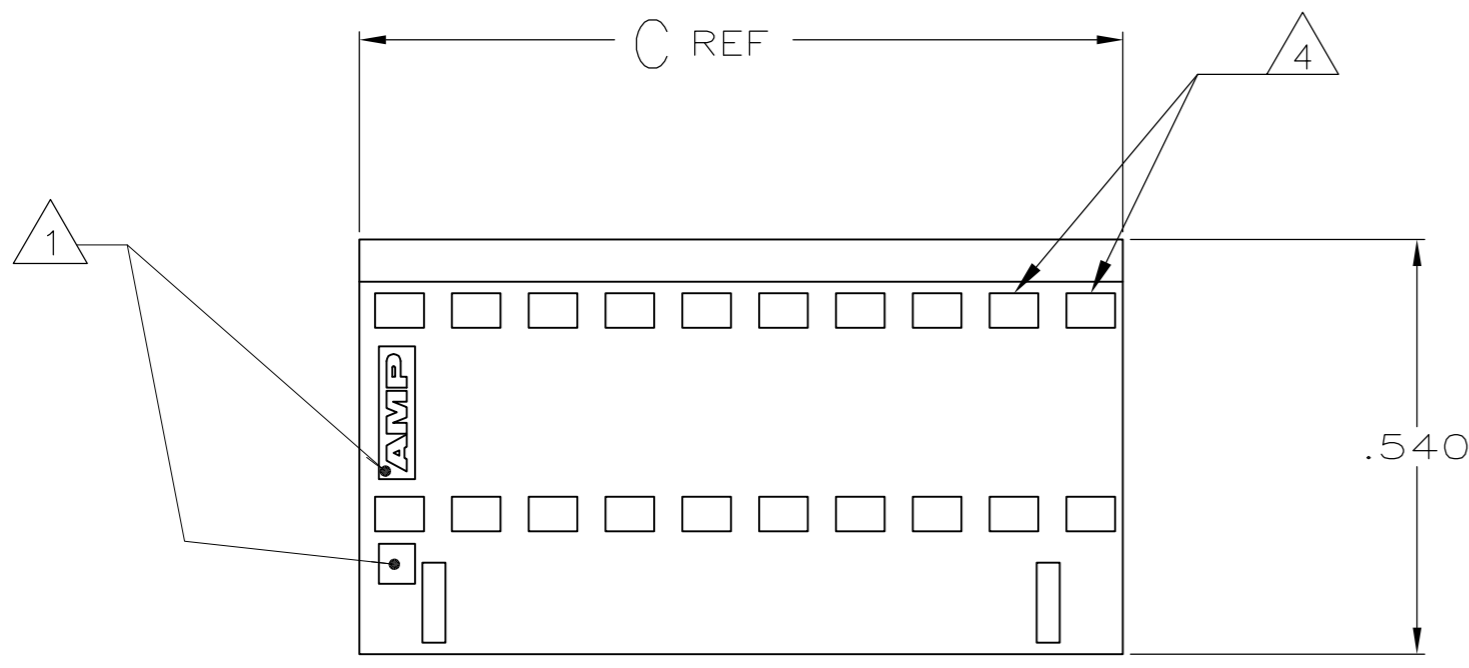
[Email or Chat With Us](#)  
[Find a Phone Number](#)  
[Knowledge Base](#)  
[Manage Your Account](#)

### Keep Me Informed

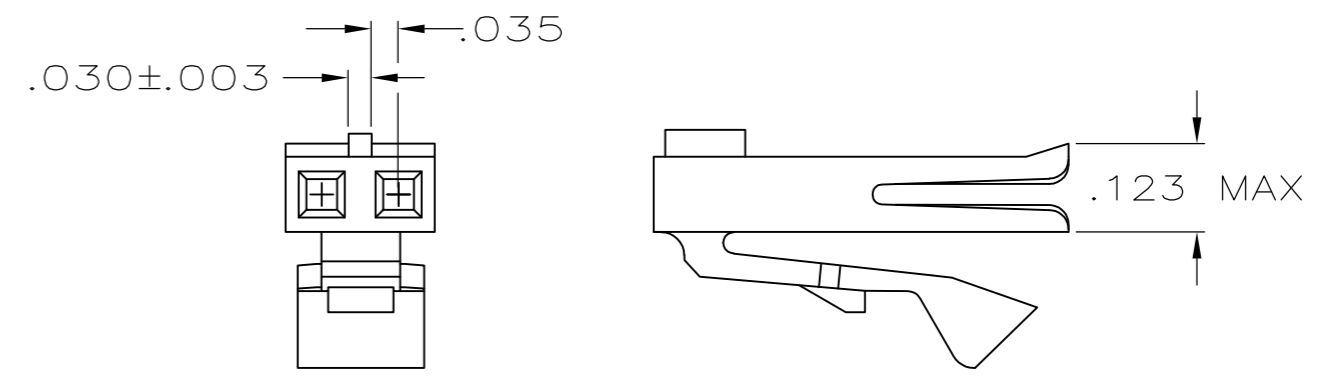


THIS DRAWING IS UNPUBLISHED. RELEASED FOR PUBLICATION  
 © COPYRIGHT - By - ALL RIGHTS RESERVED.

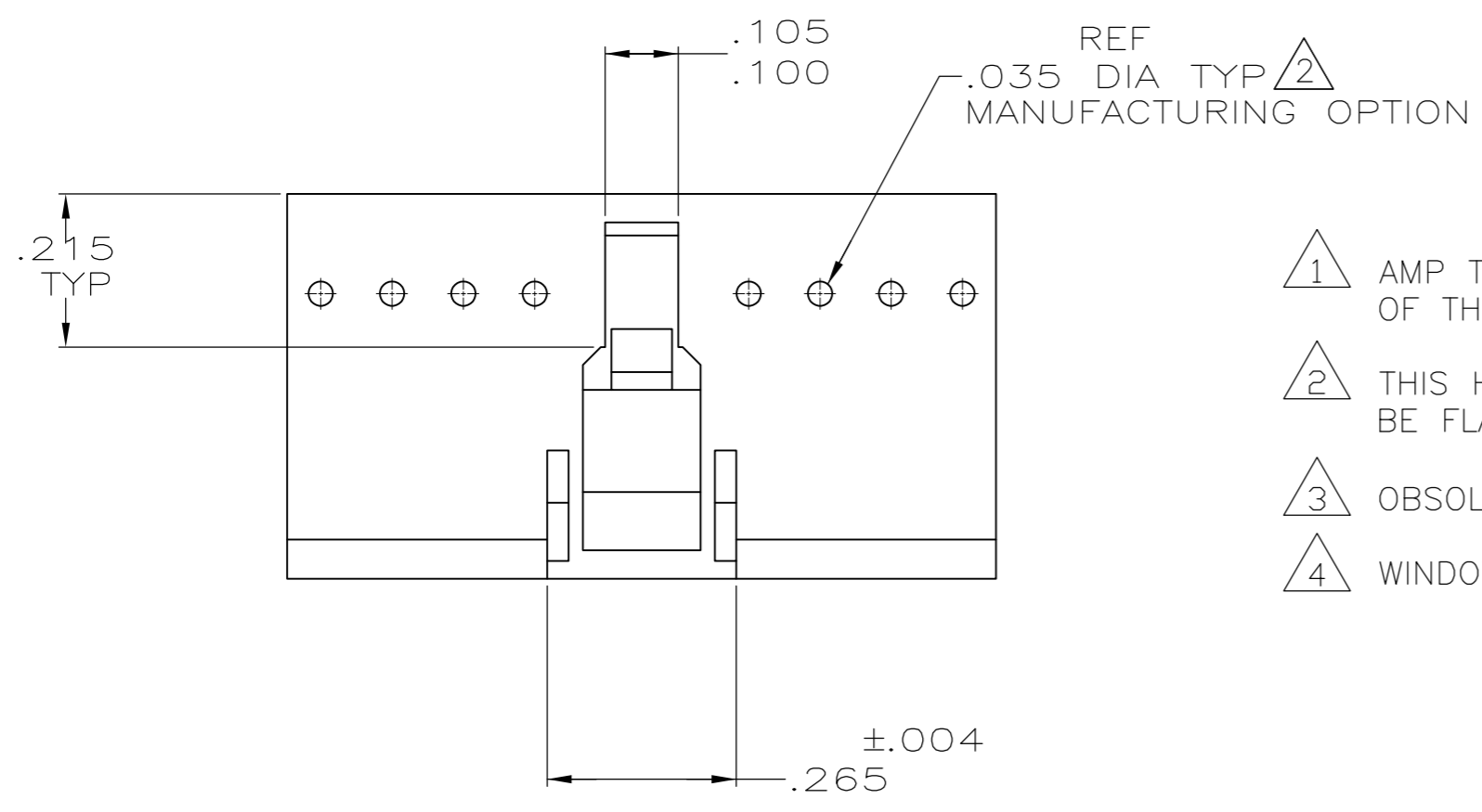
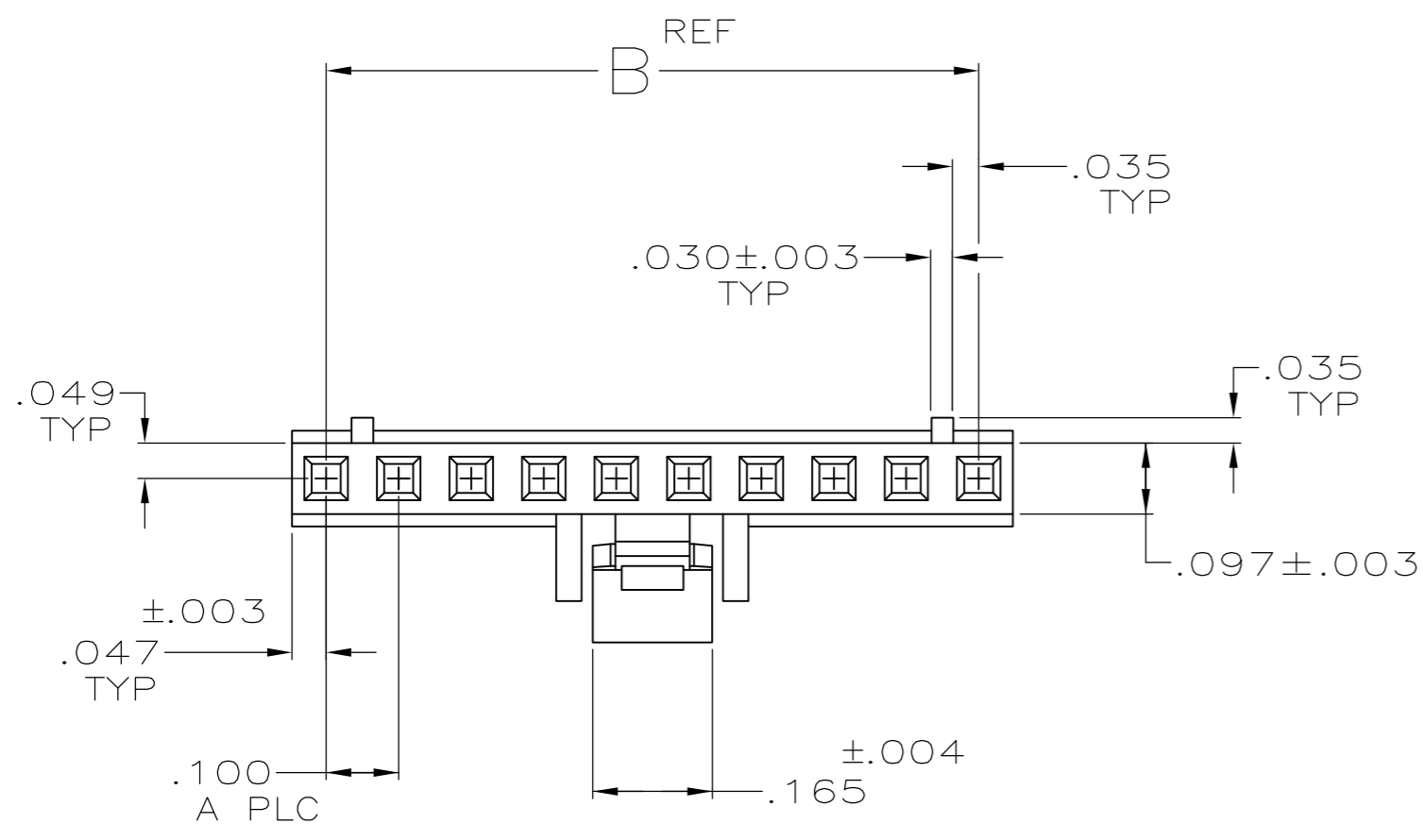
LOC		DIST		REVISIONS				
P	LTR	DESCRIPTION			DATE	DWN	APVD	
GP	00	AA	REVISED PER ECO-11-017188			06DEC2011	CJV	CWR



DETAIL FOR 3 POSN ONLY



DETAIL FOR 2 POSN ONLY



- 1 AMP TRADEMARK AND MOLD CAVITY IDENTIFICATION LOCATED AT EITHER END OF THE HOUSING IN APPROXIMATE AREA SHOWN.
- 2 THIS HOLE IS FOR MOLDING PURPOSES ONLY AND MAY BE FLASHED OVER.
- 3 OBSOLETE PARTS: OBSOLETE CIS STREAMLINING PER D.RENAUD/D.SINISI.
- 4 WINDOWS MAY OR MAY NOT BE PRESENT ON THIS END OF THE HOUSING.

2.494	2.400	24	25	2-487526-4
2.394	2.300	23	24	2-487526-3
3 OBSOLETE	2.294	2.200	22	2-487526-2
2.194	2.100	21	22	2-487526-1
3 OBSOLETE	2.094	2.000	20	2-487526-0
1.994	1.900	19	20	1-487526-9
1.894	1.800	18	19	1-487526-8
1.794	1.700	17	18	1-487526-7
1.694	1.600	16	17	1-487526-6
1.594	1.500	15	16	1-487526-5
1.494	1.400	14	15	1-487526-4
1.394	1.300	13	14	1-487526-3
1.294	1.200	12	13	1-487526-2
1.194	1.100	11	12	1-487526-1
1.094	1.000	10	11	1-487526-0
.994	.900	9	10	487526-9
.894	.800	8	9	487526-8
.794	.700	7	8	487526-7
.694	.600	6	7	487526-6
.594	.500	5	6	487526-5
.494	.400	4	5	487526-4
.394	.300	3	4	487526-3
.294	.200	2	3	487526-2
.194	.100	1	2	487526-1
C REF	B	A	NO OF POSNS	PRODUCT PART NO

THIS DRAWING IS A CONTROLLED DOCUMENT.

DIMENSIONS: INCHES	TOLERANCES UNLESS OTHERWISE SPECIFIED:	DWN P. BERRY 12-11-85	TE Connectivity
		CHK D. DOLLYHIGH 12-13-85	
		APVD -	NAME
		PRODUCT SPEC 108-9024	HOUSING, RECEPTACLE, LATCH, POLARIZED, FFC
		APPLICATION SPEC 114-16015	SIZE CAGE CODE DRAWING NO RESTRICTED TO
MATERIAL THERMOPLASTIC.	FINISH -	WEIGHT -	A2 00779 C=487526
		CUSTOMER DRAWING	SCALE 4:1 SHEET 1 OF 1 REV AA