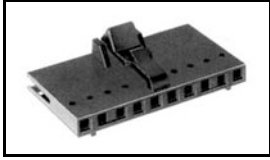


487526-5 Product Details

[Share](#) [Print](#) [Email](#)




487526-5

TE Internal Number: 487526-5

 Active

[View 3D PDF](#)

Flexible Film Connectors

 Always EU RoHS/ELV Compliant
(Statement of Compliance)

Product Highlights:

- Connector
- Housing
- Connector Style = Receptacle
- Contact Type = Socket
- 2.54 mm Centerline

[View all Features](#)

Quick Links

- ▶ [Pricing & Availability](#)
- ▶ [Search for Tooling](#)
- ▶ [View Mating Products \(21\)](#)
- ▶ [View Contacts \(17\)](#)
- ▶ [Product Feature Selector](#)
- ▶ [Contact Us About This Product](#)

[Add to My Part List](#)

[Request Sample](#)

[Find Similar Products](#)

[Buy Product](#)

Documentation & Additional Information

Product Drawings:

- [HOUSING, RECEPTACLE, LATCH, POLARIZED, FFC \(PDF, English\)](#)

Catalog Pages/Data Sheets:

- None Available

Product Specifications:

- [Connector, Flexible Flat Conductor Cable, .100 Inch ... \(PDF, English\)](#)

Application Specifications:

- [Flexible Flat Cable \(FFC\) Housings with Contact Cavi... \(PDF, English\)](#)

Instruction Sheets:

- [Extraction Tools \(PDF, English\)](#)

CAD Files: (CAD Format & Compression Information)

- [2D Drawing \(DXF, Version AT\)](#)
- [3D Model \(IGES, Version AT\)](#)
- [3D Model \(STEP, Version AT\)](#)

[List all Documents](#)

Additional Information:

- [Product Line Information](#)

Additional Product Images:

- [Typical Application](#)

Related Products:

- [Tooling](#)
- [Mating Products \(21\)](#)
- [Contacts \(17\)](#)

Product Features (Please use the Product Drawing for all design activity)

Product Type Features:

- [Product Type](#) = Connector
- [Connector Type](#) = Housing
- [Type of Connector](#) = Slimline
- [Wire/Cable Type](#) = FFC
- [Mating Connector Lock](#) = With
- [Mating Connector Lock Type](#) = Latch
- [Flame Retardant](#) = Yes

Mechanical Attachment:

- [Panel Mount Retention](#) = Without
- [Mounting Ears](#) = Without

Contact Features:

- [Contact Type](#) = Socket

Housing Features:

- [Connector Style](#) = Receptacle

Configuration Features:

- [Number of Positions](#) = 6
- [Number of Rows](#) = Single

Industry Standards:

- [RoHS/ELV Compliance](#) = RoHS compliant, ELV compliant
- [Lead Free Solder Processes](#) = Not relevant for lead free process
- [RoHS/ELV Compliance History](#) = Always was RoHS compliant
- [UL Flammability Rating](#) = UL 94V-0

Conditions for Usage:

- [Applies To](#) = Cable

Other:

- [Brand](#) = AMP

- Centerline (mm [in]) = 2.54 [0.100]
- Mating Alignment = Without
- Housing Material = Thermoplastic - GF

Corporate Information

[About TE](#)
[Investors](#)
[News Room](#)
[Supplier Portal](#)
[Careers](#)
[Terms & Conditions](#)
[Privacy Policy](#)
[AODA Accessibility Policy](#)
[AODA Multi-Year Accessibility Plan](#)

Quick Links

[Distributor Inventory](#)
[Product Cross Reference](#)
[Documents & Drawings](#)
[Product Compliance Support Center](#)
[Site Map](#)

Customer Support

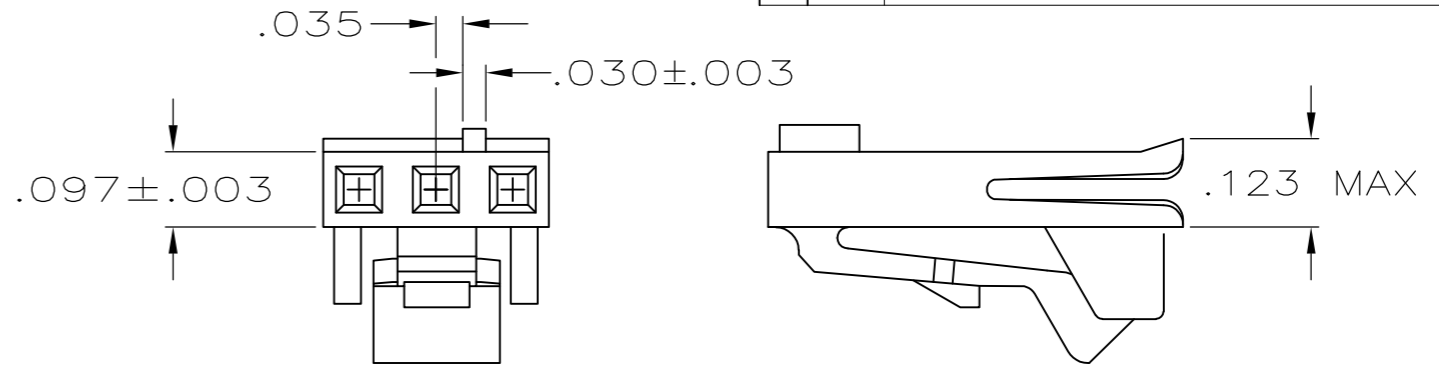
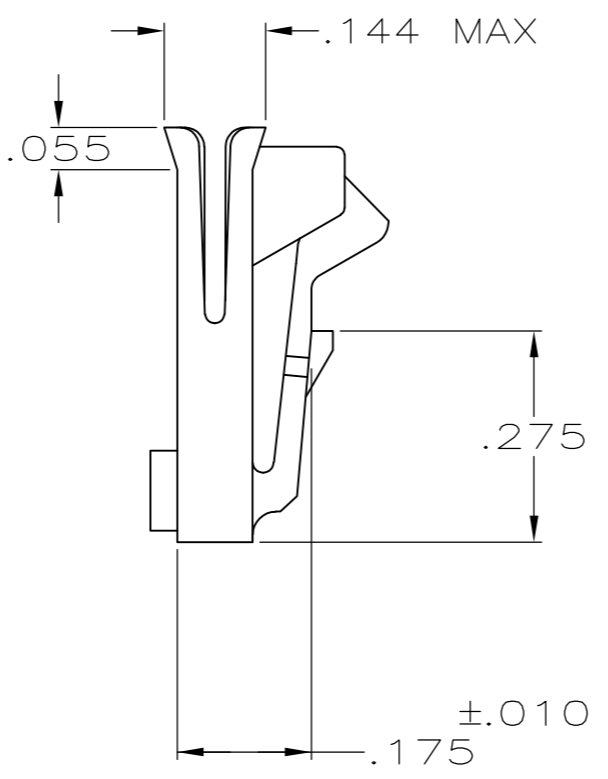
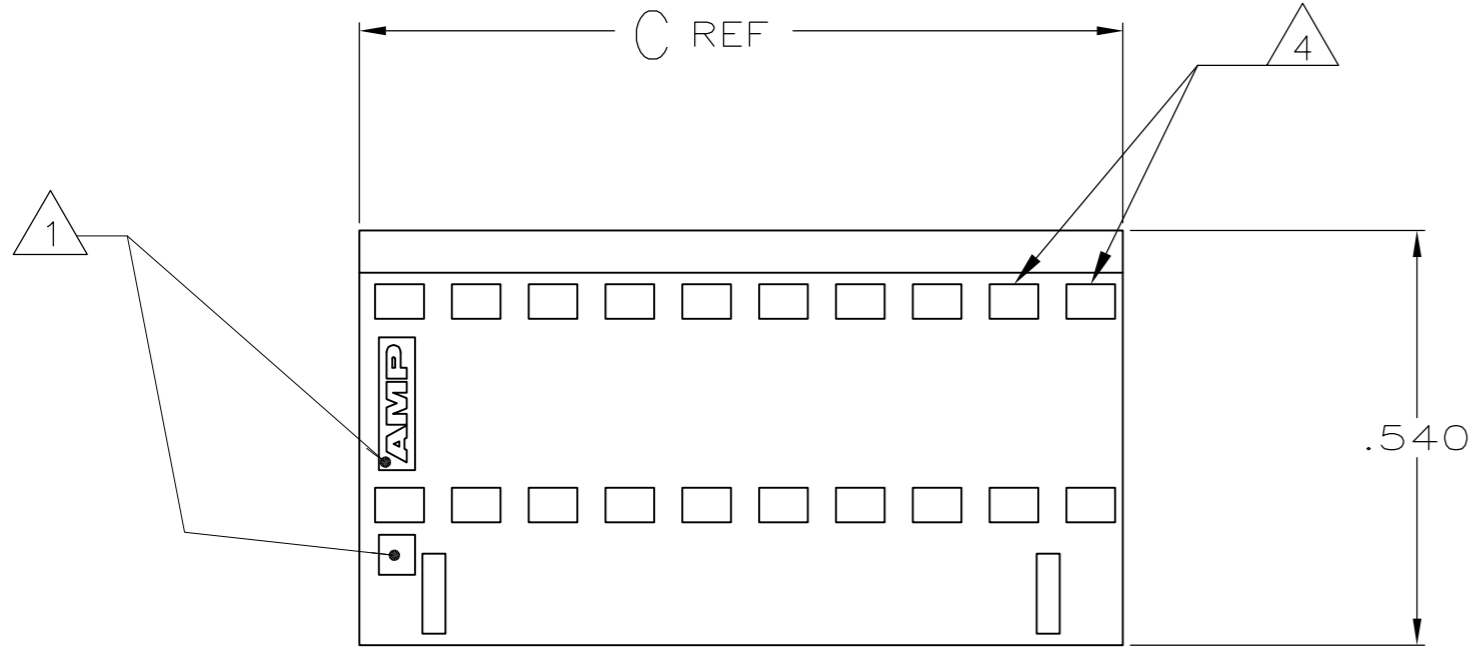
[Email or Chat With Us](#)
[Find a Phone Number](#)
[Knowledge Base](#)
[Manage Your Account](#)

Keep Me Informed

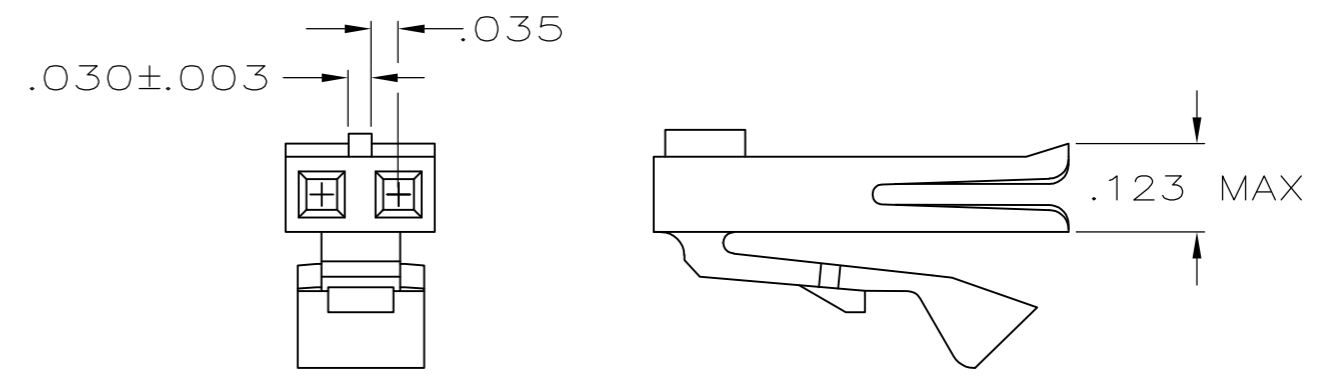


THIS DRAWING IS UNPUBLISHED. RELEASED FOR PUBLICATION
 © COPYRIGHT - By - ALL RIGHTS RESERVED.

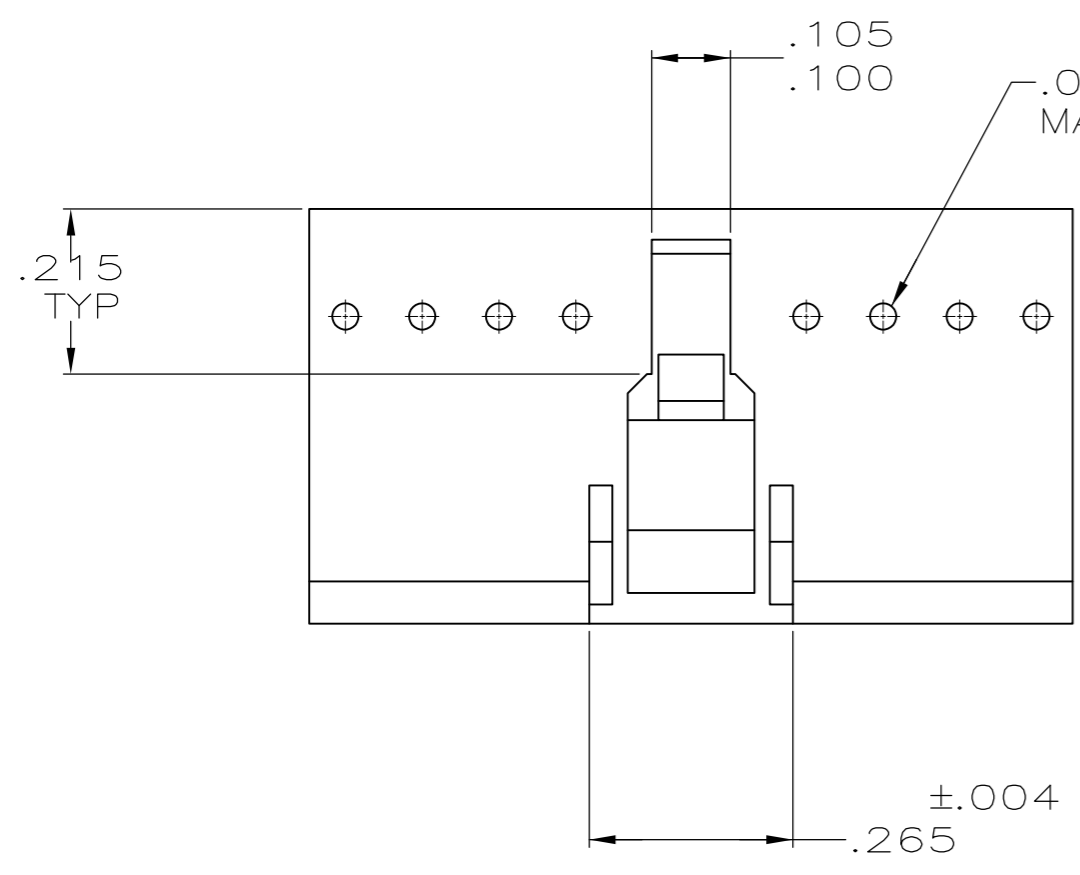
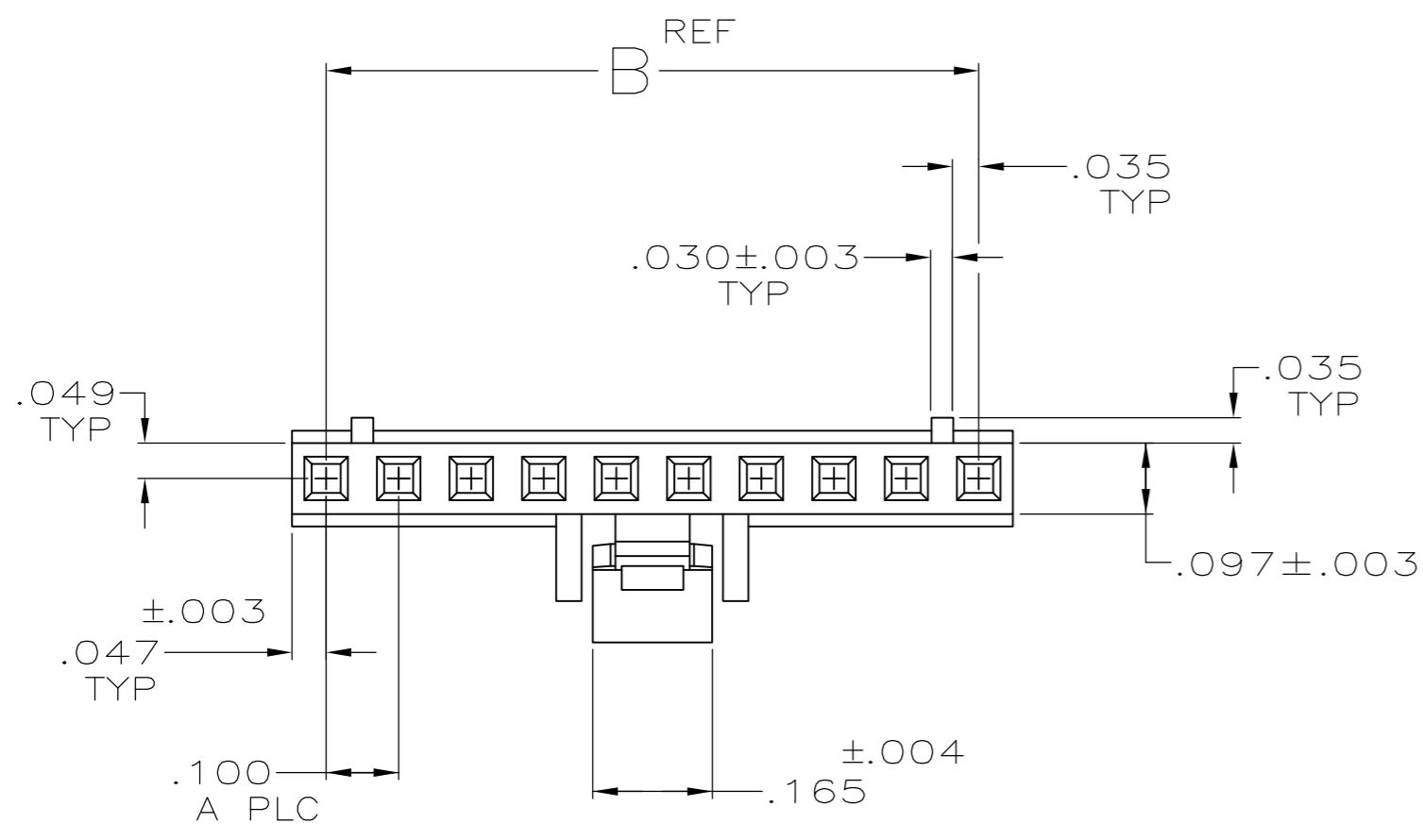
LOC		DIST		REVISIONS					
GP		00		P	LTR	DESCRIPTION	DATE	DWN	APVD
				AA		REVISED PER ECO-11-017188	06DEC2011	CJV	CWR



DETAIL FOR 3 POSN ONLY



DETAIL FOR 2 POSN ONLY



- 1 AMP TRADEMARK AND MOLD CAVITY IDENTIFICATION LOCATED AT EITHER END OF THE HOUSING IN APPROXIMATE AREA SHOWN.
- 2 THIS HOLE IS FOR MOLDING PURPOSES ONLY AND MAY BE FLASHED OVER.
- 3 OBSOLETE PARTS: OBSOLETE CIS STREAMLINING PER D.RENAUD/D.SINISI.
- 4 WINDOWS MAY OR MAY NOT BE PRESENT ON THIS END OF THE HOUSING.

	2.494	2.400	24	25	2-487526-4
	2.394	2.300	23	24	2-487526-3
3 OBSOLETE	2.294	2.200	22	23	2-487526-2
	2.194	2.100	21	22	2-487526-1
3 OBSOLETE	2.094	2.000	20	21	2-487526-0
	1.994	1.900	19	20	1-487526-9
	1.894	1.800	18	19	1-487526-8
	1.794	1.700	17	18	1-487526-7
	1.694	1.600	16	17	1-487526-6
	1.594	1.500	15	16	1-487526-5
	1.494	1.400	14	15	1-487526-4
	1.394	1.300	13	14	1-487526-3
	1.294	1.200	12	13	1-487526-2
	1.194	1.100	11	12	1-487526-1
	1.094	1.000	10	11	1-487526-0
	.994	.900	9	10	487526-9
	.894	.800	8	9	487526-8
	.794	.700	7	8	487526-7
	.694	.600	6	7	487526-6
	.594	.500	5	6	487526-5
	.494	.400	4	5	487526-4
	.394	.300	3	4	487526-3
	.294	.200	2	3	487526-2
	.194	.100	1	2	487526-1
	C REF	B	A	NO OF POSNS	PRODUCT PART NO

THIS DRAWING IS A CONTROLLED DOCUMENT.

DWN P. BERRY 12-11-85	TE Connectivity
CHK D. DOLLYHIGH 12-13-85	
APVD -	NAME
PRODUCT SPEC 108-9024	HOUSING, RECEPTACLE, LATCH, POLARIZED, FFC
APPLICATION SPEC 114-16015	
MATERIAL THERMOPLASTIC, FINISH -	RESTRICTED TO -
CUSTOMER DRAWING	

SCALE 4:1 SHEET 1 OF 1 REV AA