

Distributed by:

JAMECO[®]
ELECTRONICS

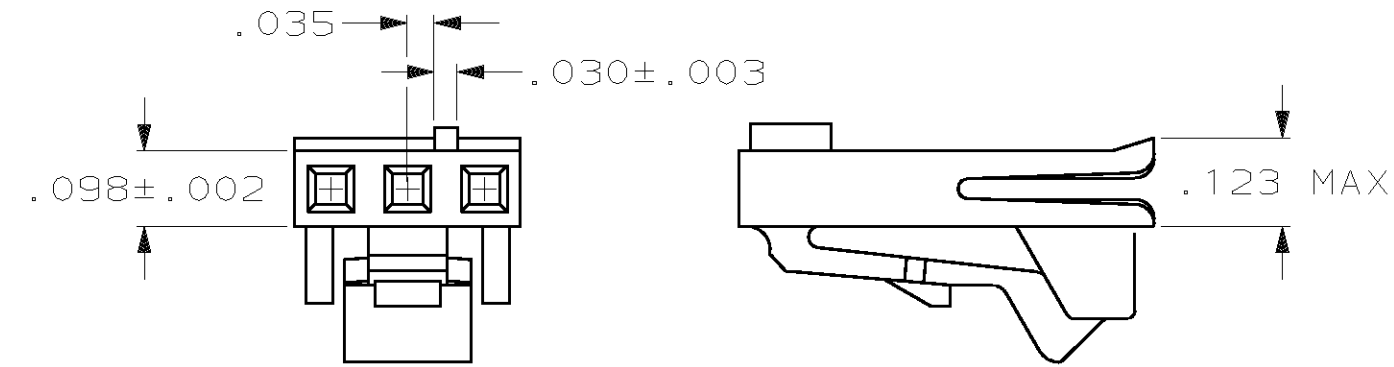
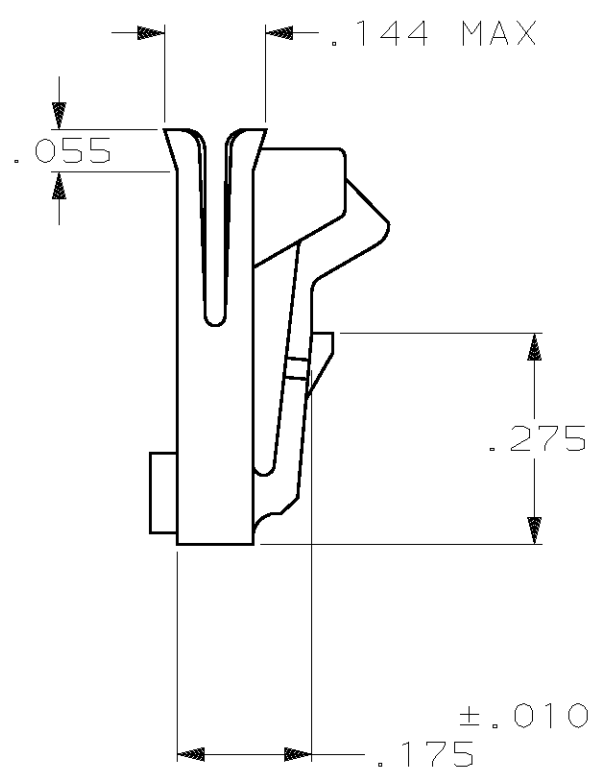
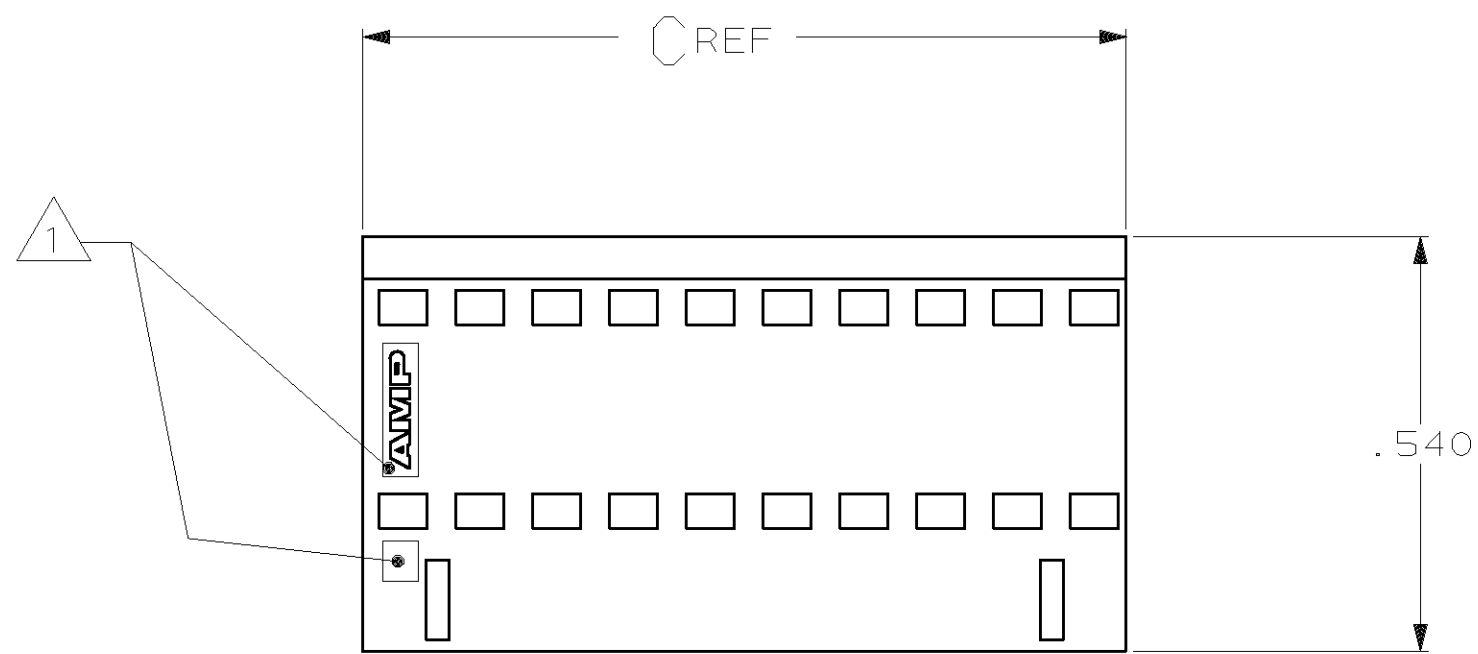
www.Jameco.com ♦ 1-800-831-4242

The content and copyrights of the attached
material are the property of its owner.

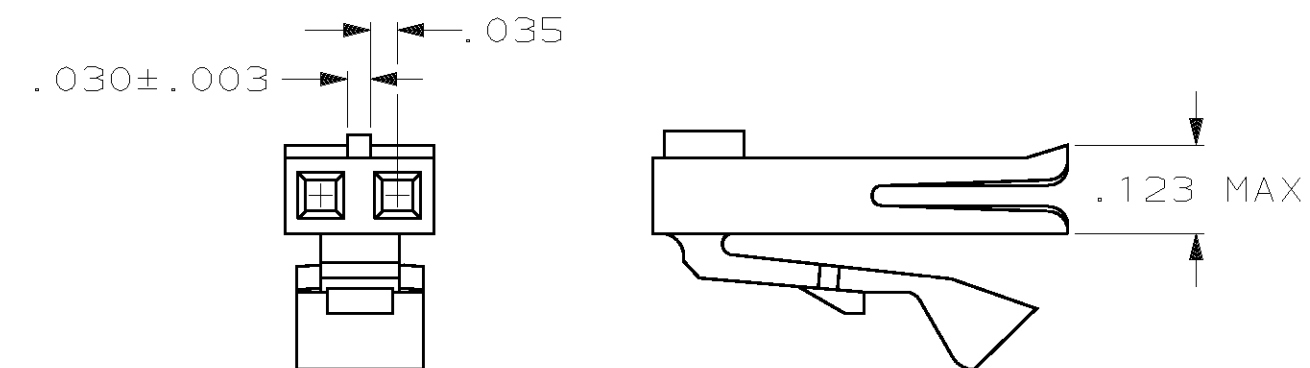
Jameco Part Number 948037

THIS DRAWING IS UNPUBLISHED. RELEASED FOR PUBLICATION ,19 .
 © COPYRIGHT 19 BY AMP INCORPORATED. ALL INTERNATIONAL RIGHTS RESERVED.

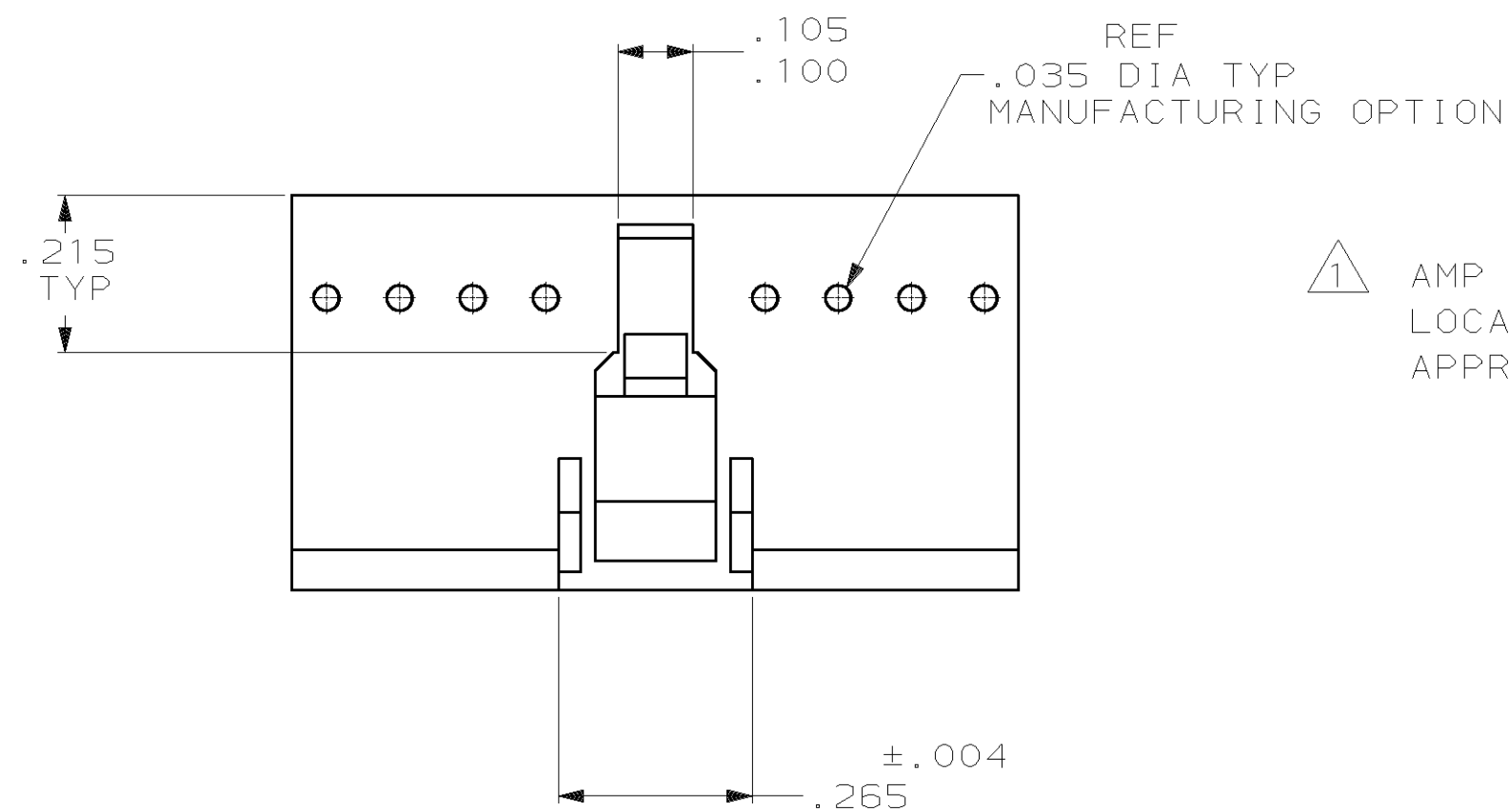
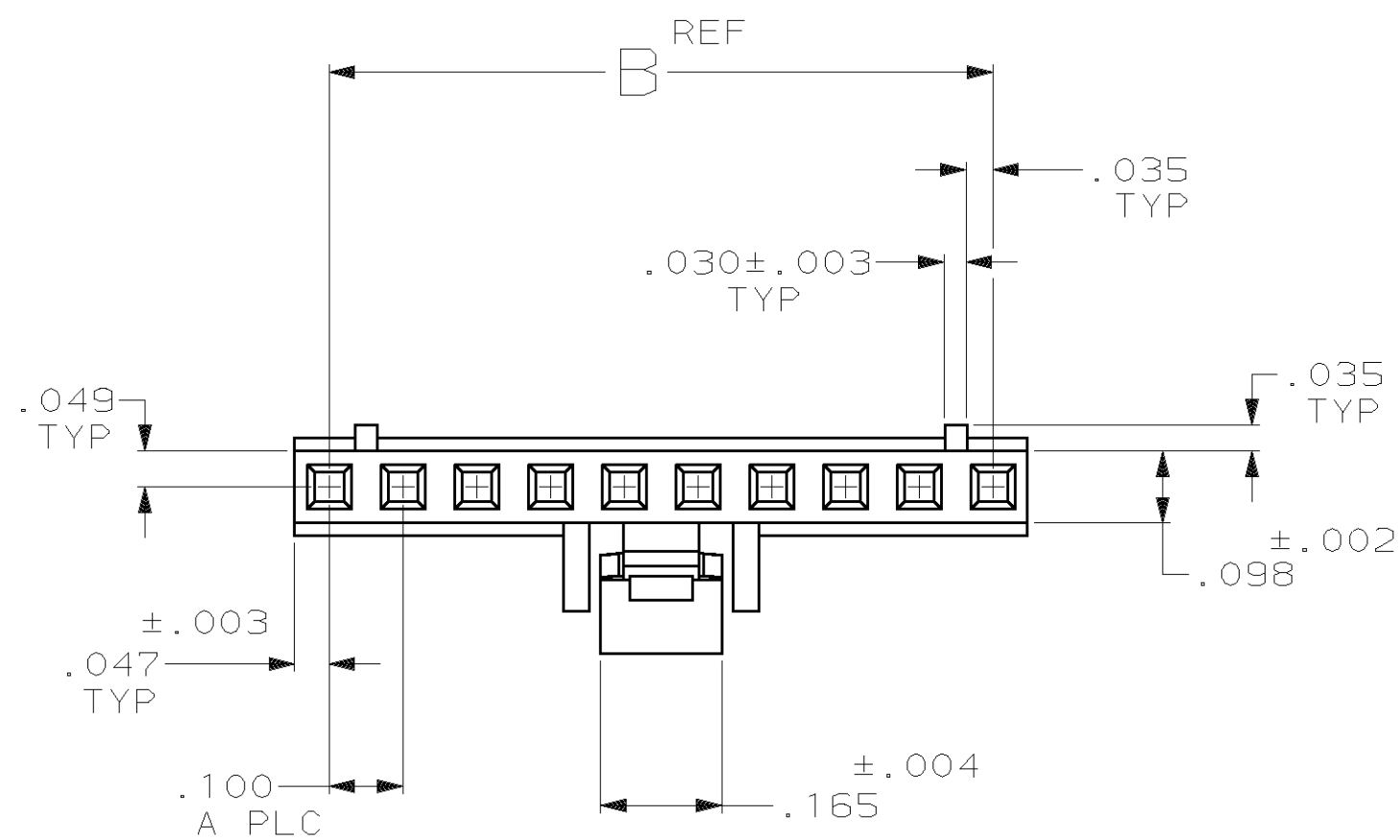
LOC		DIST		P		F		ZONE		LTR		REVISIONS		DATE	APPD
GP		00										DESCRIPTION			
												W	REVISED PER EC 0513-0403-03	21MAR04	JG



DETAIL FOR 3 POSN ONLY



DETAIL FOR 2 POSN ONLY



1 AMP TRADEMARK AND MOLD CAVITY IDENTIFICATION LOCATED AT EITHER END OF THE HOUSING IN APPROXIMATE AREA SHOWN.

2.494	2.400	24	25	2-487526-4
2.394	2.300	23	24	2-487526-3
2.294	2.200	22	23	2-487526-2
2.194	2.100	21	22	2-487526-1
2.094	2.000	20	21	2-487526-0
1.994	1.900	19	20	1-487526-9
1.894	1.800	18	19	1-487526-8
1.794	1.700	17	18	1-487526-7
1.694	1.600	16	17	1-487526-6
1.594	1.500	15	16	1-487526-5
1.494	1.400	14	15	1-487526-4
1.394	1.300	13	14	1-487526-3
1.294	1.200	12	13	1-487526-2
1.194	1.100	11	12	1-487526-1
1.094	1.000	10	11	1-487526-0
.994	.900	9	10	487526-9
.894	.800	8	9	487526-8
.794	.700	7	8	487526-7
.694	.600	6	7	487526-6
.594	.500	5	6	487526-5
.494	.400	4	5	487526-4
.394	.300	3	4	487526-3
.294	.200	2	3	487526-2
.194	.100	1	2	487526-1

C REF	B	A	NO OF POSNS	PRODUCT PART NO
-------	---	---	-------------	-----------------

DO NOT SCALE PRINT. UNLESS SPECIFIED DIMENSIONS IN INCHES TOLERANCES ON : 2 PLC DEC ± - 3 PLC DEC ± .005 ANGLES ± -	DR 12-11-85 P. BERRY	AMP Incorporated Harrisburg, PA 17105-3608		
	CHK 12-13-85 D. DOLLYHIGH			
MATERIAL THERMOPLASTIC, FLAME RETARDED, COLOR: BLACK	APPD 1-21-86 F. BOYD	NAME		
	APPD 1-21-86 R. MCHUGH	HOUSING, RECEPTACLE, LATCH, POLARIZED, FFC		
FINISH -	PRODUCT SPEC 108-9024	SIZE C	CAGE CODE 00779	DRAWING NO 487526
	APPLICATION SPEC 114-16015	SCALE NTS	SHEET 1 OF 1	
WEIGHT -				