



# AMP-LATCH Connectors (Continued)

## Strain Relief for Novo Receptacles

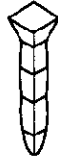
### Material and Finish:

UL 94V-0 thermoplastic, color: black

### Keying Plug (for Novo Receptacles) Part No. 499712-1

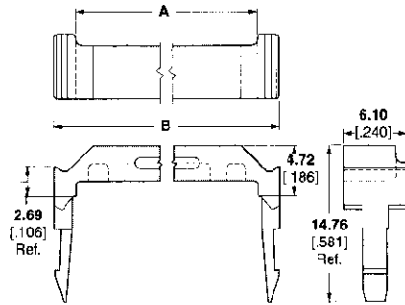
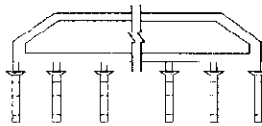
### Material:

Black thermoplastic, 94V-0 rated



**Key Plug**  
 (Plugs Into Contact)

**Alternate Configuration**  
 Keying Plug Part No. 104072-1  
 (10 Keying Plugs per Comb)



No. of Pos.	Dimensions		Strain Relief Part No.
	A	B	
10	13.21 520	17.27 .680	499252-5
14	18.29 720	22.35 .880	499252-9
16	20.83 820	24.89 .980	499252-8
20	25.91 1.020	29.97 1.180	499252-2
24	30.99 1.220	35.05 1.380	1-499252-0
26	33.53 1.320	37.59 1.480	499252-3
30	38.61 1.520	42.67 1.680	1-499252-2
34	43.69 1.720	47.75 1.880	499252-6
40	51.31 2.020	55.37 2.180	499252-1
50	64.01 2.520	68.07 2.680	499252-4

Note: Use Strain Relief Part No. 499252-1

### 28 AWG Stranded Tinned Copper

### Electrical Ratings:

- Voltage Rating** — 30C Volts
- Insulation Resistance** — 10,000 Megohms/10 ft
- Impedance** — 105 ohms nominal (GND, SIG, GND)
- Capacitance** — 15 pF/ft at 1 MHz max.
- Propagation Delay** — 1.41 ns/ft nom.
- Crosstalk** — 10 ft sample 5 ns rise time  
 Near End — 4.0% max.  
 Far End — 6.0% max.

### Cable Surface Printed per UL and CSA requirements

UL Listing: Style 2651

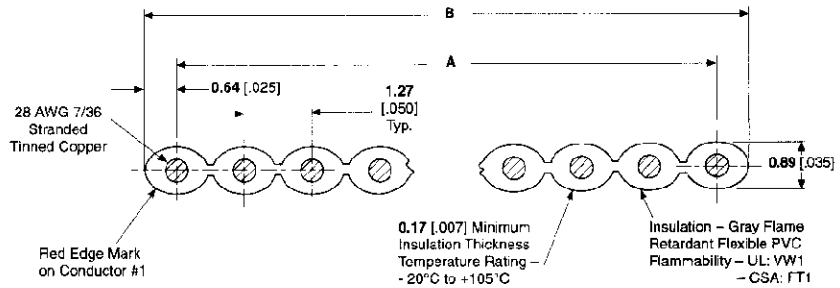
Recognized under the Component Program of the Underwriters Laboratories, Inc., File No. E53793



Certified by the Canadian Standards Association, File No. LR83498



### 1.27 [.050] Centerline, IDC Ribbon Cable, PVC Insulation



No. of Conductors	Dimensions		Part Numbers	
	A	B	Length Per Reel	
			30.5 m [100 ft.]	162.4 m [500 ft.]
10	11.43 450	12.70 .500	1-57040-3	1-971111-3
14	16.51 650	17.78 .700	1-57040-4	1-971111-4
16	19.05 750	20.32 .800	1-57040-6	1-971111-6
20	24.13 950	25.40 1.000	57040-1	971111-1
24	29.21 1.150	30.48 1.200	1-57040-7	1-971111-7
26	31.75 1.250	33.02 1.300	57040-3	971111-3
30	36.83 1.450	38.10 1.500	2-57040-1	2-971111-1
34	41.91 1.650	43.18 1.700	57040-4	971111-4
40	49.53 1.950	50.80 2.000	57040-5	971111-5
50	62.23 2.450	63.50 2.500	57040-6	971111-6

Note: Use Strain Relief Part No. 499252-1