

## 501381-1 Product Details



**501381-1**

TE Internal Number: 501381-1



### ST Connectors

 Always EU RoHS/ELV Compliant (Statement of Compliance)

#### Product Highlights:

- Coupler
- Multimode
- Length = 29.60 mm
- Zinc Diecast Body Material
- Polymer Composite Alignment Sleeve Material

### Documentation & Additional Information

#### Product Drawings:

- [COUPLING RECEPTACLE KIT, 2.5mm BAYONET](#) (PDF, English)

#### Catalog Pages/Data Sheets:

- [Fiber Optic Catalog - Fiber Optic Products](#) (PDF, English)
- [Enterprise Networks EMEA Product Catalog](#) (PDF, English)

#### Product Specifications:

- [Connector, AMP\\* LightCrimp\\*, XTC\\*, Multimode, Stainl...](#) (PDF, English)
- [Connector, OPTIMATE\\*, Multimode, Ceramic, 2.5 mm Bay...](#) (PDF, English)
- [Connector, LightCrimp, Multimode, XTC, Poly Comp, 2....](#) (PDF, English)
- [System, AMP\\* LIGHTRAY\\* MPO, Fiber Optic](#) (PDF, English)
- [Connector, LIGHTCRIMP NEXTC, Multimode, Polymer, 2.5...](#) (PDF, English)
- [Connector, OPTIMATE\\*, Multimode, Ceramic, 2.5 mm Bay...](#) (PDF, Japanese)

#### Application Specifications:

- None Available

#### Instruction Sheets:

- [ST Stainless Steel Ferrule Connector Kits and Coupli...](#) (PDF, English)
- [AMP OPTIMATE 2.5MM BAYONET STAINLESS STEEL CONNECTOR...](#) (PDF, English)
- [Superseded by 408-9971](#) (PDF, English)
- [ST Ceramic Ferrule Connector Kits and Coupling Recep...](#) (PDF, English)

#### CAD Files: (CAD Format & Compression Information)

- [2D Drawing](#) (DXF, Version E)
- [3D Model](#) (IGES, Version E)
- [3D Model](#) (STEP, Version E)

#### Related Products:

- [Tooling](#)

### Product Features (Please use the Product Drawing for all design activity)

#### Product Type Features:

- [Product Type](#) = Coupler

#### Dimensions:

- [Length \(mm \[in\]\)](#) = 29.60 [1.165]

#### Body Features:

- [Body Material](#) = Zinc Diecast
- [Alignment Sleeve Material](#) = Polymer Composite
- [Body Plating](#) = Nickel
- [Protective Cover Color](#) = Red

#### Configuration Features:

- [Mode](#) = Multimode

#### Industry Standards:

- [RoHS/ELV Compliance](#) = RoHS compliant, ELV compliant
- [Lead Free Solder Processes](#) = Not relevant for lead free process
- [RoHS/ELV Compliance History](#) = Always was RoHS compliant

#### Packaging Features:

- [Packaging Method](#) = Individual Kit
- [Packaging Quantity](#) = 50

#### Product Availability:

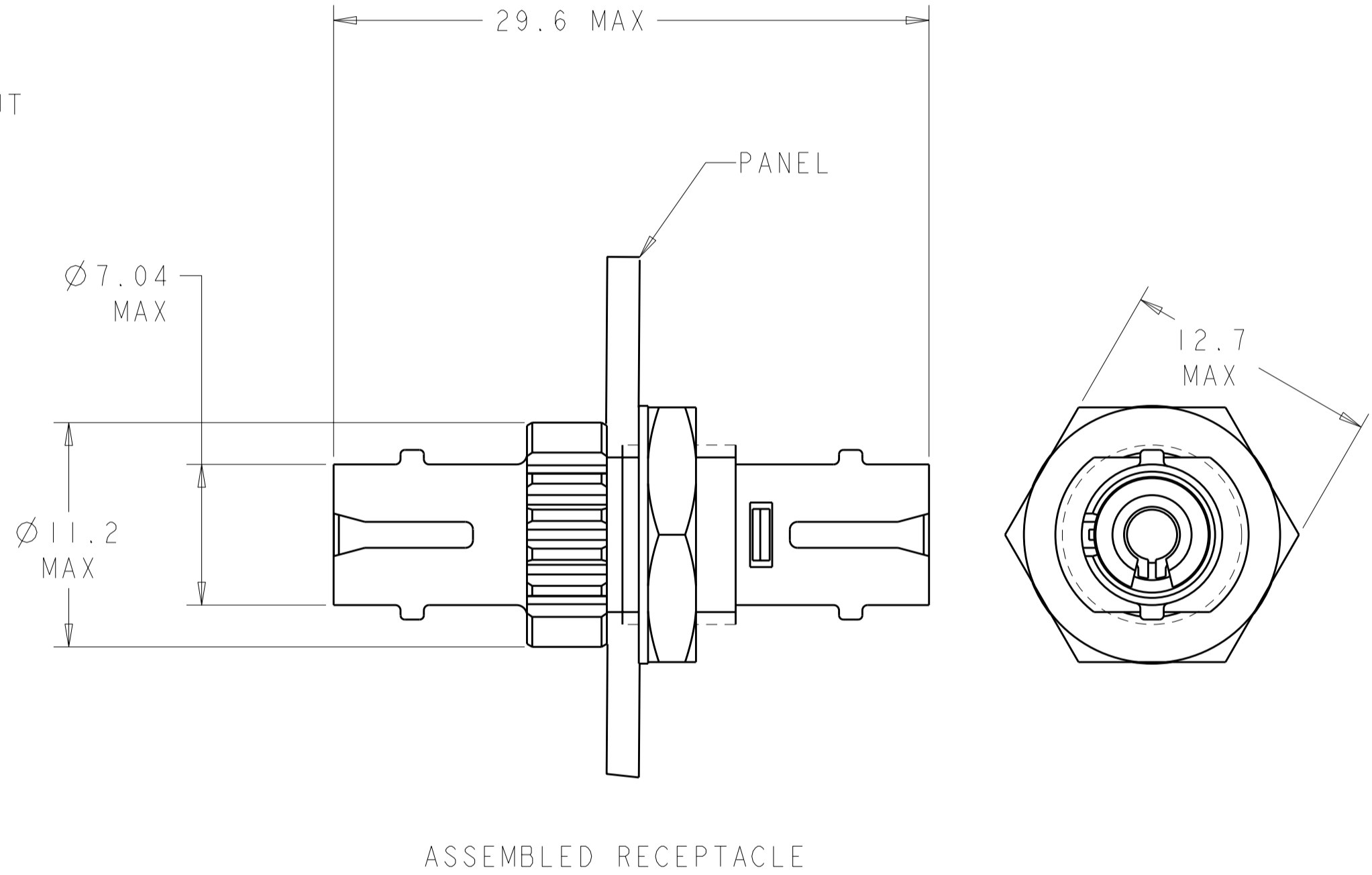
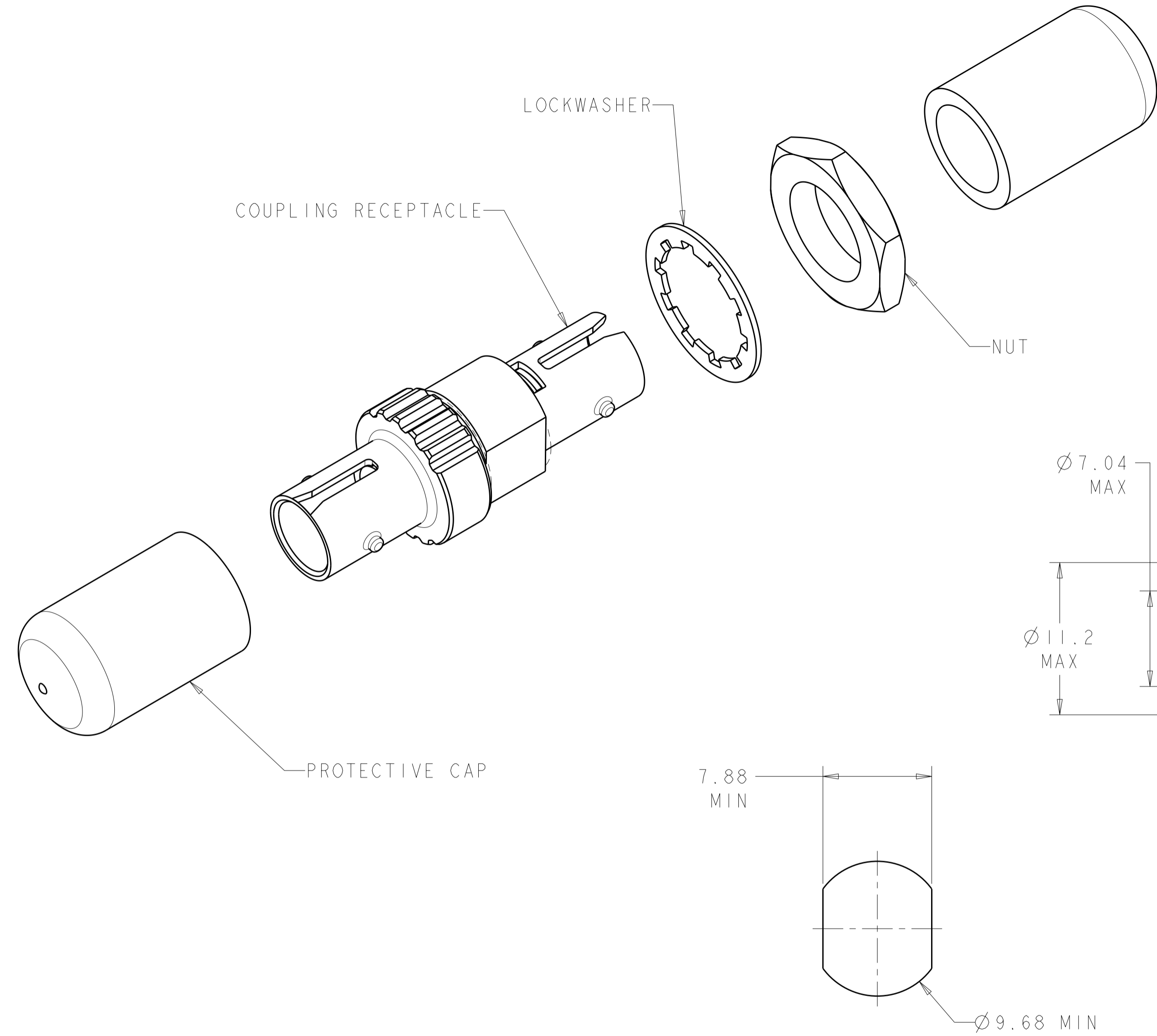
- [Region](#) = Asia, EMEA, North America, Latin America, Australia/New Zealand

#### Other:

- [Brand](#) = AMP

THIS DRAWING IS UNPUBLISHED. RELEASED FOR PUBLICATION 20  
 © COPYRIGHT 20 BY - ALL RIGHTS RESERVED.

LOC	DIST	REVISIONS			
P	LTR	DESCRIPTION	DATE	DWN	APVD
CE	00	EI	REVISED PER ECO-11-005027	14MAR2011	RK HMR



SUGGESTED PANEL CUTOUT

1 MATERIAL:  
 PROTECTIVE CAP: VINYL  
 LOCKWASHER: STAINLESS STEEL  
 NUT: NICKEL PLATED BRASS  
 COUPLING RECEPTACLE  
 HOUSING: ZINC  
 RETAINER: PBT, COLOR: WHITE, UL94 V-0 RATED AT QUALIFYING THICKNESS.  
 SLEEVE: PPS-GF40, COLOR: BLACK, UL94 V-0 RATED AT QUALIFYING THICKNESS.

2 BULK PACKAGE.

501381-2
501381-1
PART NUMBER

THIS DRAWING IS A CONTROLLED DOCUMENT.		DWN B. BRIGGS 10MAY2005	<b>STE</b> TE Connectivity	
DIMENSIONS: mm		CHK S. BUCHTER 10MAY2005		
TOLERANCES UNLESS OTHERWISE SPECIFIED:		APVD S. BUCHTER 10MAY2005	NAME COUPLING RECEPTACLE KIT, 2.5mm BAYONET	
0 PLC ±	1 PLC ±	PRODUCT SPEC	SIZE	CAGE CODE
2 PLC ±0.13	3 PLC ±	APPLICATION SPEC	A200779	DRAWING NO
4 PLC ±	ANGLES ±	WEIGHT	C=501381	RESTRICTED TO
FINISH		CUSTOMER DRAWING	SCALE 4:1	SHEET OF REV E1