

Distributed by:

JAMECO[®]
ELECTRONICS

www.Jameco.com ♦ 1-800-831-4242

The content and copyrights of the attached
material are the property of its owner.

Jameco Part Number 850064

4

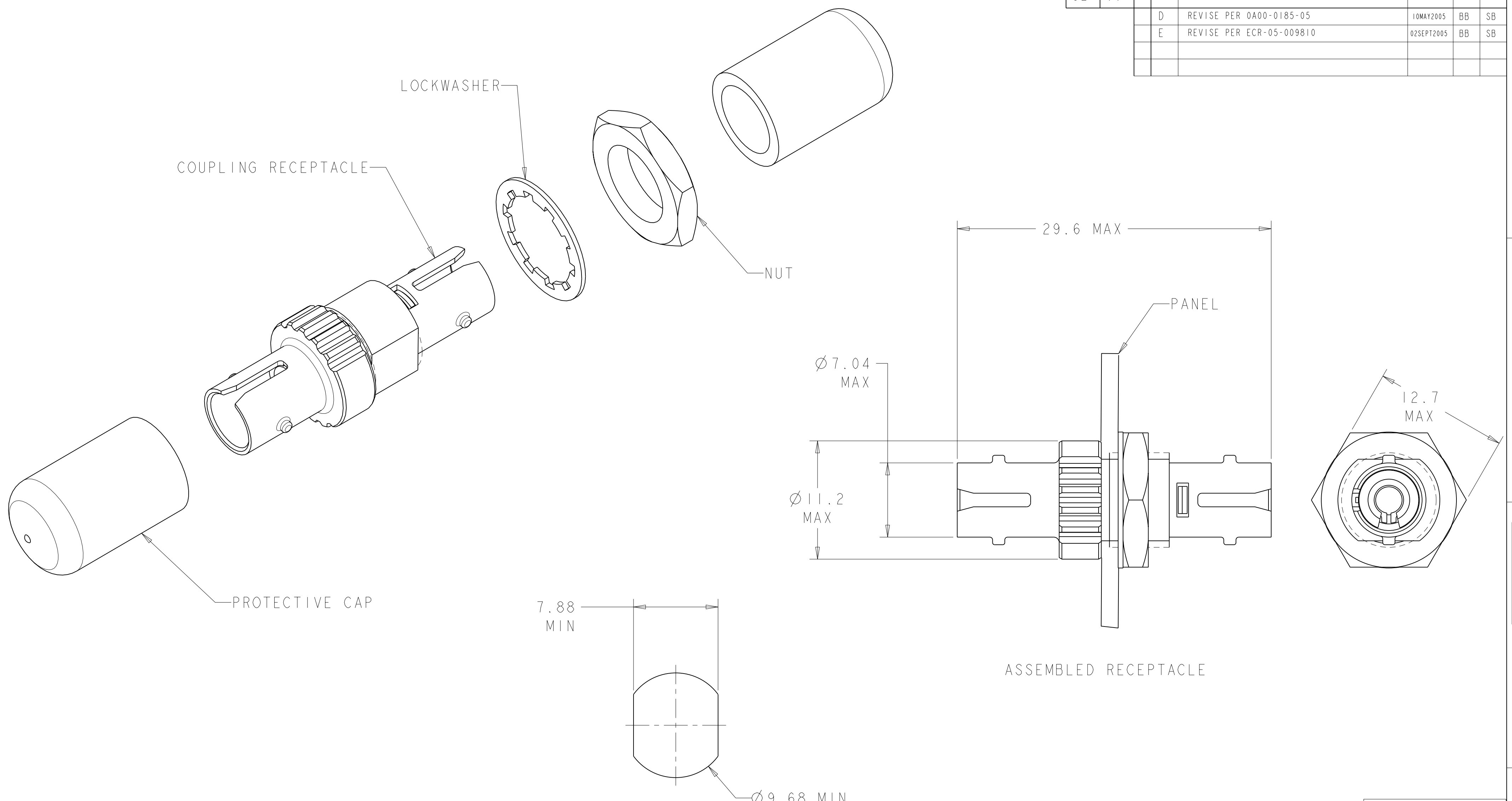
3

2

1

THIS DRAWING IS UNPUBLISHED. RELEASED FOR PUBLICATION 20
 © COPYRIGHT 20 BY TYCO ELECTRONICS CORPORATION. ALL RIGHTS RESERVED.

LOC	DIST	REVISIONS					
CE	00	P	LTR	DESCRIPTION	DATE	DWN	APVD
		D		REVISE PER 0A00-0185-05	10MAY2005	BB	SB
		E		REVISE PER ECR-05-009810	02SEPT2005	BB	SB



MATERIAL:
 PROTECTIVE CAP: VINYL
 LOCKWASHER: STAINLESS STEEL
 NUT: NICKEL PLATED BRASS
 COUPLING RECEPTACLE
 HOUSING: ZINC
 RETAINER: PBT, COLOR: WHITE, UL94 V-0 RATED AT QUALIFYING THICKNESS.
 SLEEVE: PPS-GF40, COLOR: BLACK, UL94 V-0 RATED AT QUALIFYING THICKNESS.

BULK PACKAGE.

SUGGESTED PANEL CUTOUT

ASSEMBLED RECEPTACLE

501381-2
501381-1
PART NUMBER

<small>THIS DRAWING IS A CONTROLLED DOCUMENT FOR TYCO ELECTRONICS CORPORATION. IT IS SUBJECT TO CHANGE AND THE CONTROLLING ENGINEERING ORGANIZATION SHOULD BE CONTACTED FOR THE LATEST REVISION.</small>		DWN B. BRIGGS 10MAY2005 CHK S. BUCHTER 0MAY2005 APVD S. BUCHTER 0MAY2005	tyco Electronics Tyco Electronics Harrisburg, PA 17105-3608
DIMENSIONS: mm	TOLERANCES UNLESS OTHERWISE SPECIFIED: 0 PLC ± 1 PLC ± 2 PLC ±0.13 3 PLC ± 4 PLC ± ANGLES ±	NAME COUPLING RECEPTACLE KIT, 2.5mm BAYONET	SIZE CAGE CODE DRAWING NO RESTRICTED TO A200779 C=501381 -
MATERIAL FINISH	WEIGHT	APPLICATION SPEC PRODUCT SPEC	SCALE 4:1 SHEET 1 OF 1 REV E