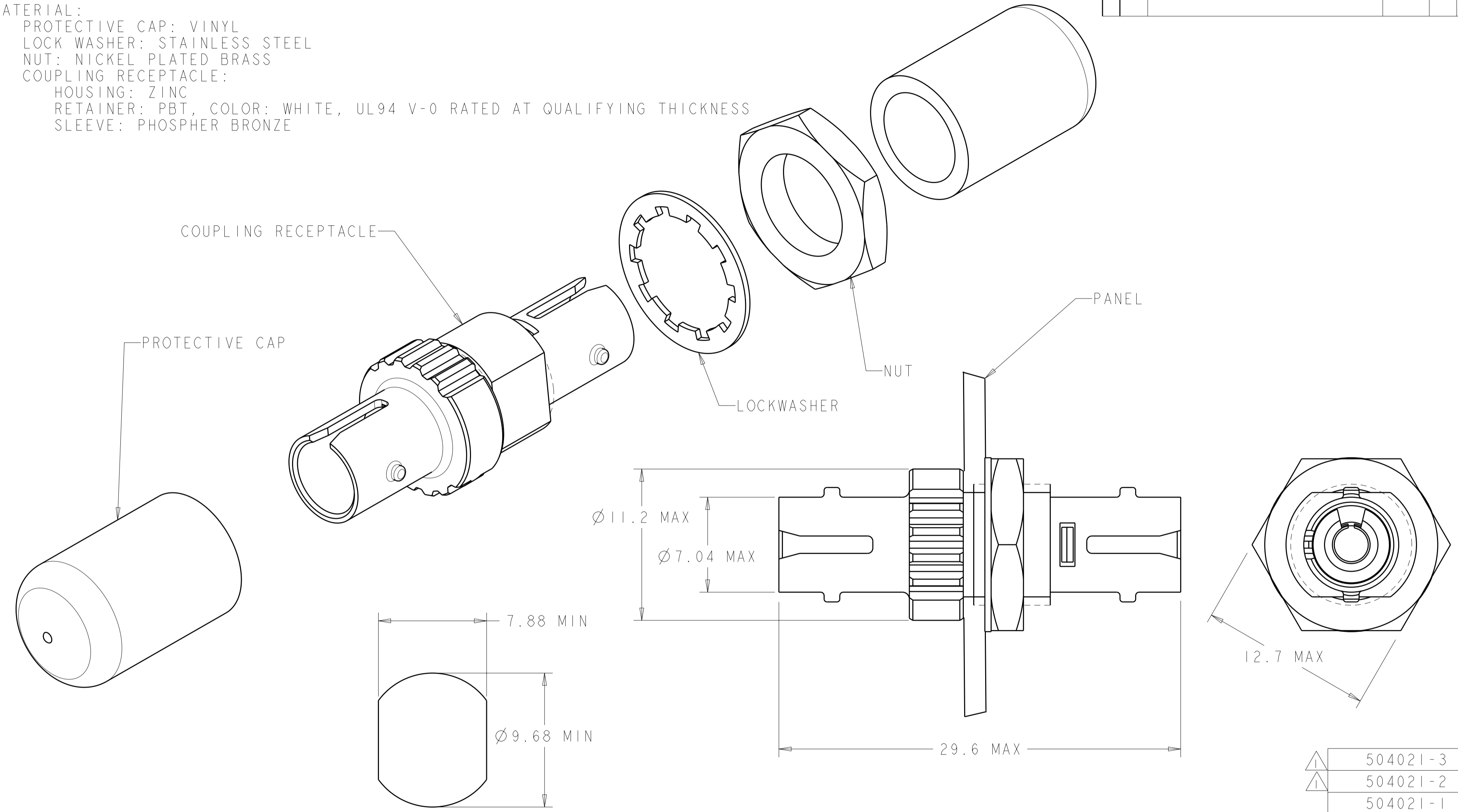


THIS DRAWING IS UNPUBLISHED. RELEASED FOR PUBLICATION 20
 © COPYRIGHT 20 BY - ALL RIGHTS RESERVED.

| LOC | DIST | REVISIONS | | | |
|-----|------|-------------|---------------------------|-----------|--------|
| P | LTR | DESCRIPTION | DATE | DWN | APVD |
| CE | 00 | | | | |
| | | LI | REVISED PER ECO-11-005027 | 14MAR2011 | RK HMR |

- 1 BULK PACKAGED.
- 2 MATERIAL:
 PROTECTIVE CAP: VINYL
 LOCK WASHER: STAINLESS STEEL
 NUT: NICKEL PLATED BRASS
 COUPLING RECEPTACLE:
 HOUSING: ZINC
 RETAINER: PBT, COLOR: WHITE, UL94 V-0 RATED AT QUALIFYING THICKNESS
 SLEEVE: PHOSPHER BRONZE



| |
|-------------|
| 504021-3 |
| 504021-2 |
| 504021-1 |
| PART NUMBER |

SUGGESTED PANEL CUTOUT

| | | | | | |
|---|--|---|---|------------------------|--------------------|
| THIS DRAWING IS A CONTROLLED DOCUMENT. | | DWN B. BRIGGS 11MAY2005 | TE Connectivity | | |
| DIMENSIONS: mm | | CHK S. BUCHTER 11MAY2005 | | | |
| TOLERANCES UNLESS OTHERWISE SPECIFIED: | | APVD S. BUCHTER 11MAY2005 | NAME KIT, COUPLING RECEPTACLE, 2.5mm BAYONET, MM/SM | | |
| 0 PLC ± 1 PLC ± 2 PLC ± 3 PLC ± 4 PLC ± ANGLES ± FINISH | | PRODUCT SPEC - APPLICATION SPEC - WEIGHT - | SIZE A200779 | DRAWING NO C-504021 | RESTRICTED TO - |
| MATERIAL 2 | | CUSTOMER DRAWING | SCALE 5:1 | SHEET 1 | OF 1 |