

## 504021-1 Product Details



**504021-1**

TE Internal Number: 504021-1



### ST Connectors

 Always EU RoHS/ELV Compliant (Statement of Compliance)

#### Product Highlights:

- Coupler
- Multimode
- Length = 29.60 mm
- Zinc Diecast Body Material
- Phosphor Bronze Alignment Sleeve Material

### Documentation & Additional Information

#### Product Drawings:

- [KIT, COUPLING RECEPTACLE, 2.5mm BAYONET, MM/SM](#) (PDF, English)

#### Catalog Pages/Data Sheets:

- [Fiber Optic Catalog - Fiber Optic Products](#) (PDF, English)
- [Enterprise Networks EMEA Product Catalog](#) (PDF, English)

#### Product Specifications:

- None Available

#### Application Specifications:

- None Available

#### Instruction Sheets:

- None Available

#### CAD Files: (CAD Format & Compression Information)

- [2D Drawing](#) (DXF, Version L)
- [3D Model](#) (IGES, Version L)
- [3D Model](#) (STEP, Version L)

#### Related Products:

- [Tooling](#)

### Product Features (Please use the Product Drawing for all design activity)

#### Product Type Features:

- [Product Type](#) = Coupler

#### Dimensions:

- [Length \(mm \[in\]\)](#) = 29.60 [1.165]

#### Body Features:

- [Body Material](#) = Zinc Diecast
- [Alignment Sleeve Material](#) = Phosphor Bronze
- [Body Plating](#) = Nickel
- [Protective Cover Color](#) = Red

#### Configuration Features:

- [Mode](#) = Multimode

#### Industry Standards:

- [RoHS/ELV Compliance](#) = RoHS compliant, ELV compliant
- [Lead Free Solder Processes](#) = Not relevant for lead free process
- [RoHS/ELV Compliance History](#) = Always was RoHS compliant

#### Packaging Features:

- [Packaging Method](#) = Individual Kit
- [Packaging Quantity](#) = 10

#### Product Availability:

- [Region](#) = Asia, EMEA, North America, Australia/New Zealand

#### Other:

- [Brand](#) = AMP

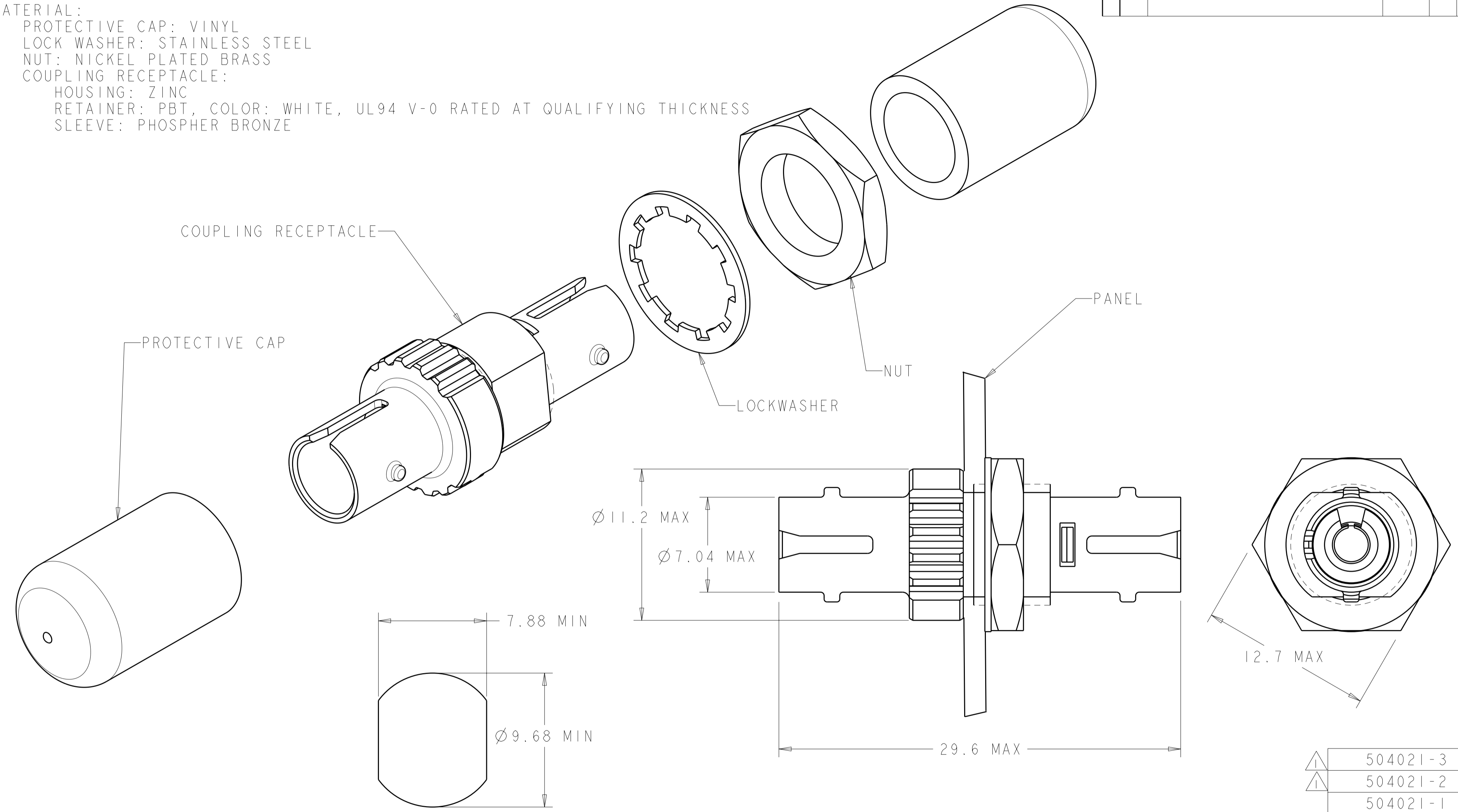
THIS DRAWING IS UNPUBLISHED. RELEASED FOR PUBLICATION 20  
 © COPYRIGHT 20 BY - ALL RIGHTS RESERVED.

LOC CE DIST 00

| REVISIONS |     |                           |           |        |
|-----------|-----|---------------------------|-----------|--------|
| P         | LTR | DESCRIPTION               | DATE      | APVD   |
|           | LI  | REVISED PER ECO-11-005027 | 14MAR2011 | RK HMR |
|           |     |                           |           |        |
|           |     |                           |           |        |

1 BULK PACKAGED.

2 MATERIAL:  
 PROTECTIVE CAP: VINYL  
 LOCK WASHER: STAINLESS STEEL  
 NUT: NICKEL PLATED BRASS  
 COUPLING RECEPTACLE:  
 HOUSING: ZINC  
 RETAINER: PBT, COLOR: WHITE, UL94 V-0 RATED AT QUALIFYING THICKNESS  
 SLEEVE: PHOSPHER BRONZE



SUGGESTED PANEL CUTOUT

|   |             |
|---|-------------|
| 1 | 504021-3    |
| 1 | 504021-2    |
|   | 504021-1    |
|   | PART NUMBER |

|  |          |                           |   |                 |
|--|----------|---------------------------|---|-----------------|
| THIS DRAWING IS A CONTROLLED DOCUMENT. |          | DWN B. BRIGGS 11MAY2005   | <b>STE</b> TE Connectivity                          |                 |
| DIMENSIONS: mm                         |          | CHK S. BUCHTER 11MAY2005  |   |                 |
| TOLERANCES UNLESS OTHERWISE SPECIFIED: |          | APVD S. BUCHTER 11MAY2005 | NAME KIT, COUPLING RECEPTACLE, 2.5mm BAYONET, MM/SM |                 |
| 0 PLC ±                                | 1 PLC ±  | PRODUCT SPEC -            | SIZE A2   | CAGE CODE 00779 |
| 2 PLC ±                                | 3 PLC ±  | APPLICATION SPEC -        | DRAWING NO C-504021                                 | RESTRICTED TO - |
| 4 PLC ±                                | ANGLES ± | WEIGHT -                  | SCALE 5:1   | SHEET OF 1      |
| FINISH -                               |          | CUSTOMER DRAWING          | REV. LI   |                 |