



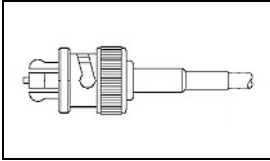
Have a Question?
 Chat with a Product
 Information Specialist

What can we help you find?

[Products](#) |
 [Industries](#) |
 [Resources](#) |
 [About TE](#) |
 [My Account](#) |
 [Innovation](#) |
 [Support Center](#)

5051426-2 Product Details

[Share](#) |
 [Print](#) |
 [Email](#)



5051426-2

TE Internal Number: 5051426-2

Active

View 3D PDF

SHV RF Connectors

Always EU RoHS/ELV Compliant (Statement of Compliance)

Product Highlights:

- Connector - RF
- RF Connector Type = SHV
- Plug
- Coaxial Cable Type (RG/U or Mfg.) = 59, 59A, 59B, 62, 62A, 62B, 124, 140, 210, Belden 9209, Belden 9269, Belden 9291
- Coaxial Cable Termination Type = Crimp

[View all Features](#)

Quick Links

- ▶ [Pricing & Availability](#)
- ▶ [Search for Tooling](#)
- ▶ [Product Feature Selector](#)
- ▶ [Contact Us About This Product](#)

[Add to My Part List](#)

[Request Sample](#)

[Find Similar Products](#)

[Buy Product](#)

Documentation & Additional Information

Product Drawings:

- [CONNECTOR, COAXIAL, PLUG, SERIES SHV](#) (PDF, English)

Catalog Pages/Data Sheets:

- None Available

Product Specifications:

- None Available

Application Specifications:

- None Available

Instruction Sheets:

- None Available

CAD Files: (CAD Format & Compression Information)

- [2D Drawing](#) (DXF, Version A1)
- [3D Model](#) (IGES, Version A1)
- [3D Model](#) (STEP, Version A1)

[List all Documents](#)

Related Products:

- [Tooling](#)

Product Features (Please use the Product Drawing for all design activity)

Product Type Features:

- [Product Type](#) = Connector - RF
- RF Connector Type = SHV
- [Gender](#) = Plug
- Dielectric Material = Fluoropolymer

Mechanical Attachment:

- Panel Mount Retention = Without

Termination Features:

- Coaxial Cable Termination Type = Crimp
- Crimp Type = Dual

Body Features:

- [Body Plating](#) = Silver

Contact Features:

- Center Contact Plating = Gold

Configuration Features:

- [Coaxial Cable Type \(RG/U or Mfg.\)](#) = 59, 59A, 59B, 62, 62A, 62B, 124, 140, 210, Belden 9209, Belden 9269, Belden 9291

Industry Standards:

- [RoHS/ELV Compliance](#) = RoHS compliant, ELV compliant
- [Lead Free Solder Processes](#) = Not relevant for lead free process
- [RoHS/ELV Compliance History](#) = Always was RoHS compliant

Conditions for Usage:

- [Applies To](#) = Coaxial Cable

Other:

- [Brand](#) = AMP

Corporate Information

- [About TE](#)
- [Investors](#)
- [News Room](#)
- [Supplier Portal](#)
- [Careers](#)

Quick Links

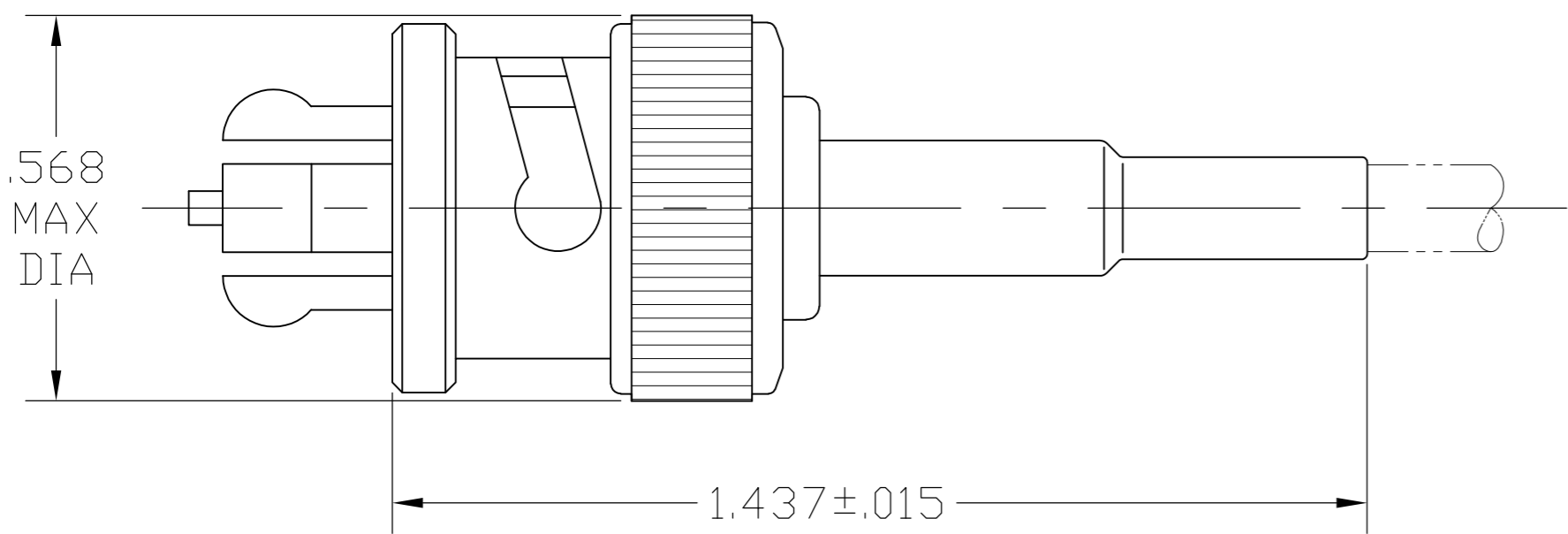
- [Distributor Inventory](#)
- [Product Cross Reference](#)
- [Documents & Drawings](#)
- [Product Compliance Support Center](#)
- [Site Map](#)

Customer Support

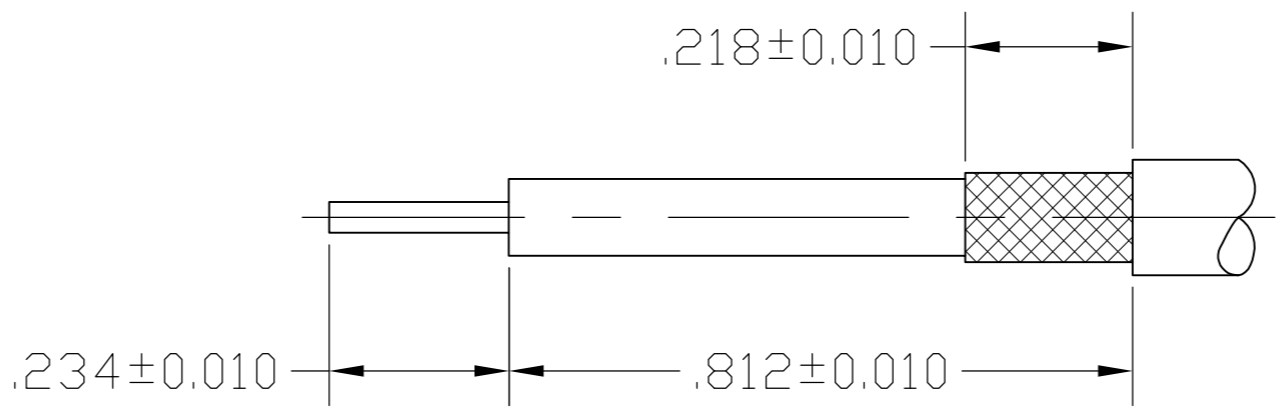
- [Email or Chat With Us](#)
- [Find a Phone Number](#)
- [Knowledge Base](#)
- [Manage Your Account](#)

THIS DRAWING IS UNPUBLISHED. RELEASED FOR PUBLICATION
 © COPYRIGHT - By - ALL RIGHTS RESERVED.

LOC		DIST		REVISIONS			
P	LTR	DESCRIPTION		DATE	DWN	APVD	
AJ	16	A2		REVISED PER ECO-11-005030	11MAR11	RK HMR	



1. SEE INSTRUCTION SHEET 408-2187



RECOMMENDED STRIP LENGTH

RG-174/U & RG-188/U	-	220009-1	21427-5	9-328666-0	225418-3	51437-6	5051426-8
RG-59/U, 59A/U, 59B/U, 62/U, 62A/U & 62B/U	.496	220022-2	-	9-50428-0	51475-3	51437-4	5051426-5
RG-58A/U & RG-58C/U	.512	220022-1	-	9-50427-1	51427-3	51437-3	5051426-4
RG-59/U, 59A/U, 59B/U, 62/U, 62A/U & 62B/U	-	220022-2	-	9-50428-4	51475-3	51437-2	5051426-2
RG-58A/U & RG-58C/U	.458	220022-1	-	9-50427-3	51427-3	51437-1	5051426-1
CABLE SIZE	WEIGHT (OZ)	CRIMP TOOL	④ BUSHING QTY=1	③ FERRULE QTY=1	② CONTACT QTY=1	① PLUG ASSY QTY=1	PART NUMBER

THIS DRAWING IS A CONTROLLED DOCUMENT.

DWN	J. HAVENER	24JAN2005
CHK	J. HAVENER	24JAN2005
APVD	J. LIPPERT	24JAN2005

TE Connectivity

CONNECTOR, COAXIAL, PLUG, SERIES SHV

SIZE	A2	CAGE CODE	00779	DRAWING NO	C=5051426	RESTRICTED TO	-
SCALE	4:1	SHEET	1 of 1	REV	A2		

CUSTOMER DRAWING

5051426