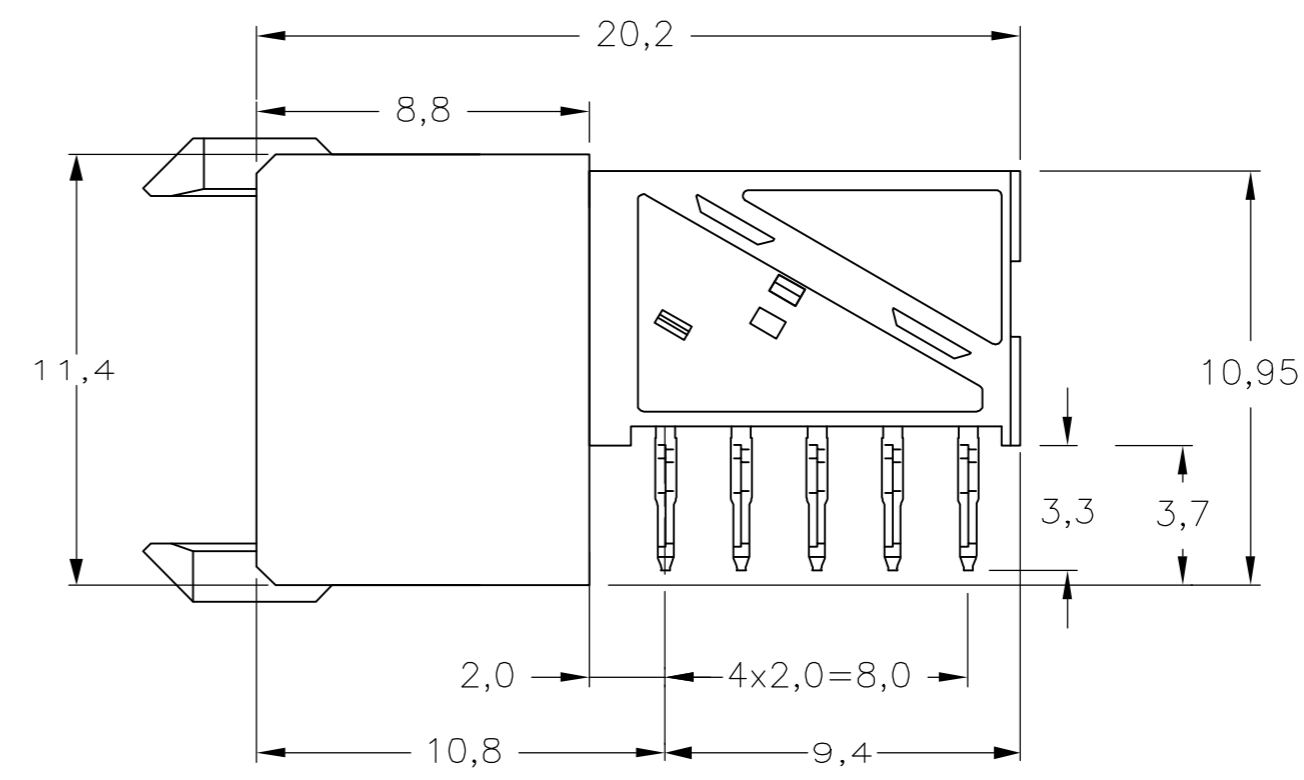
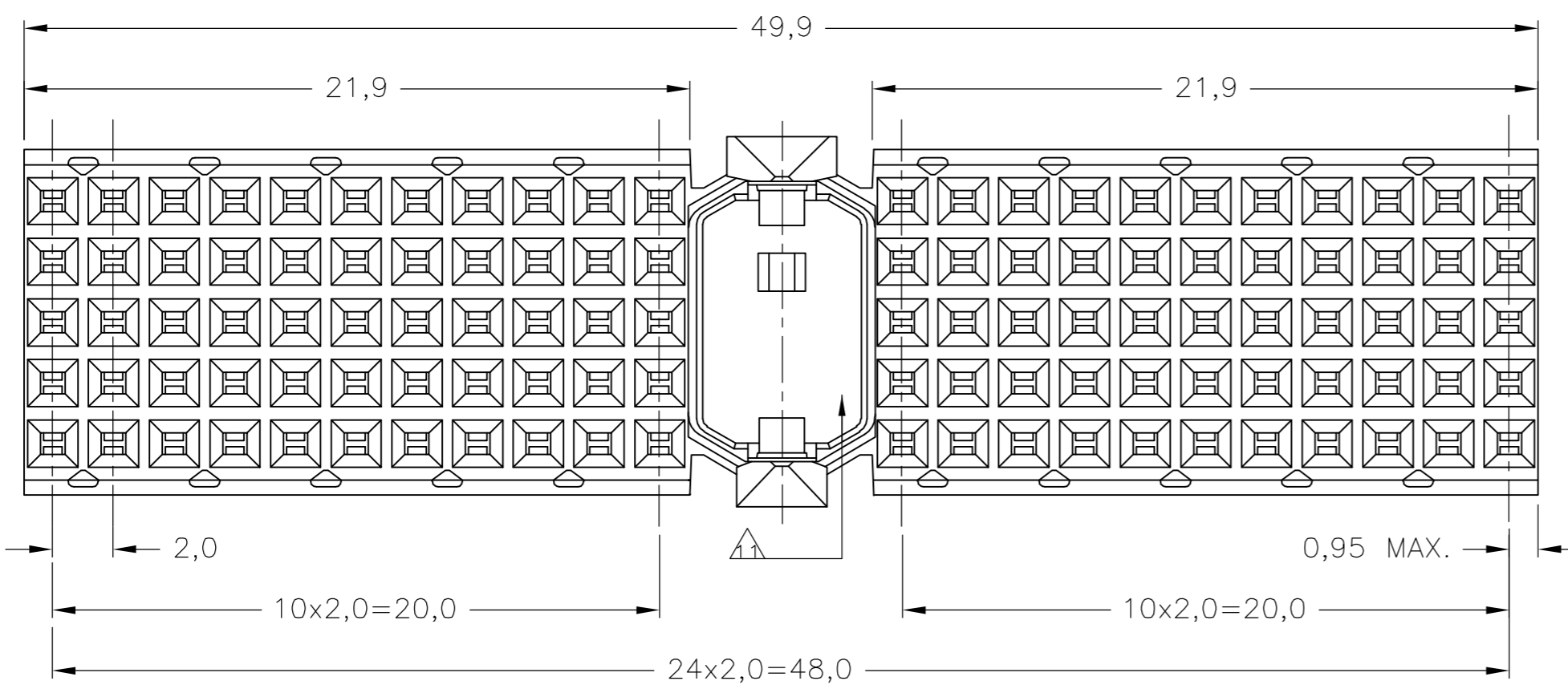
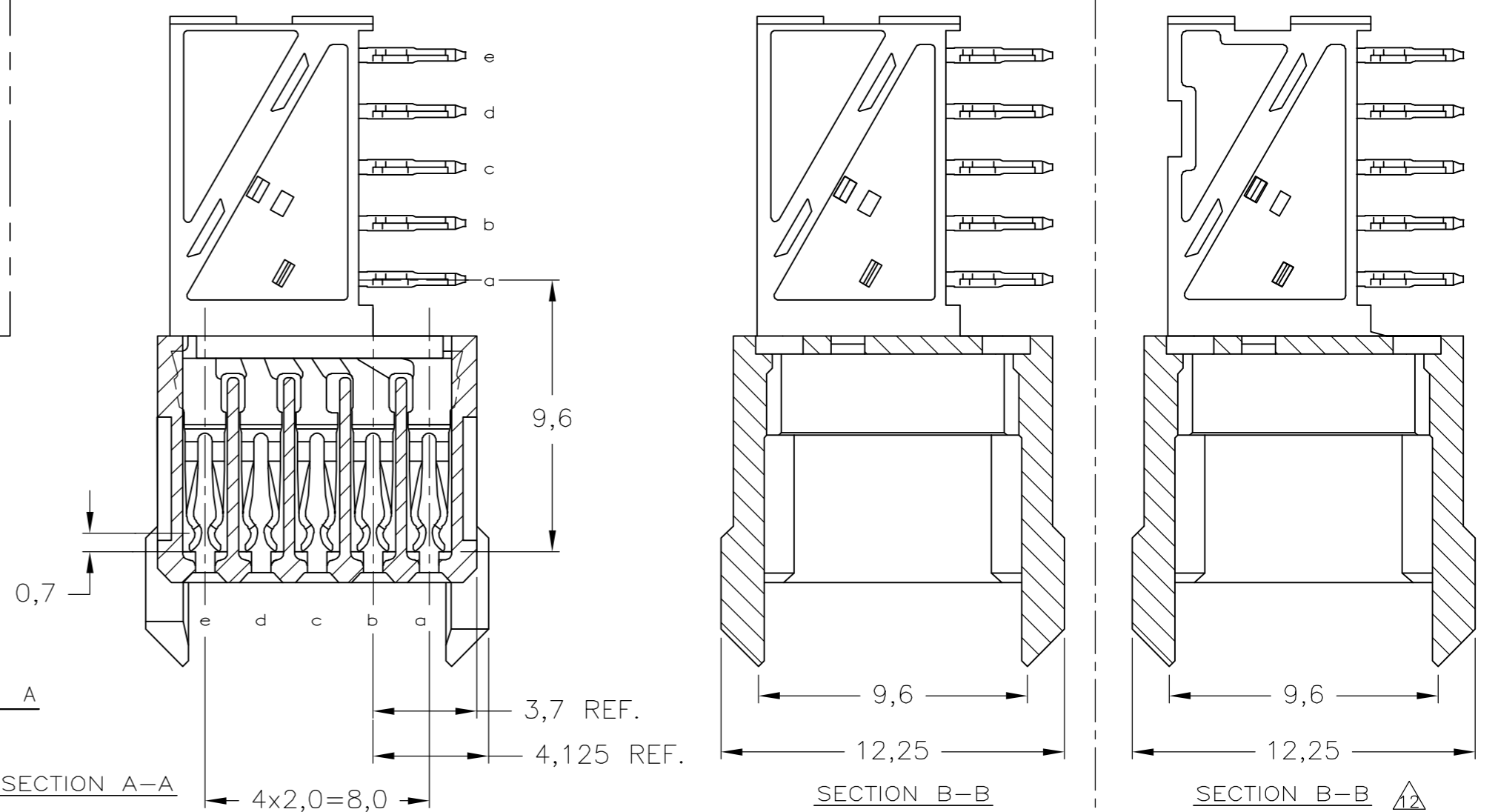
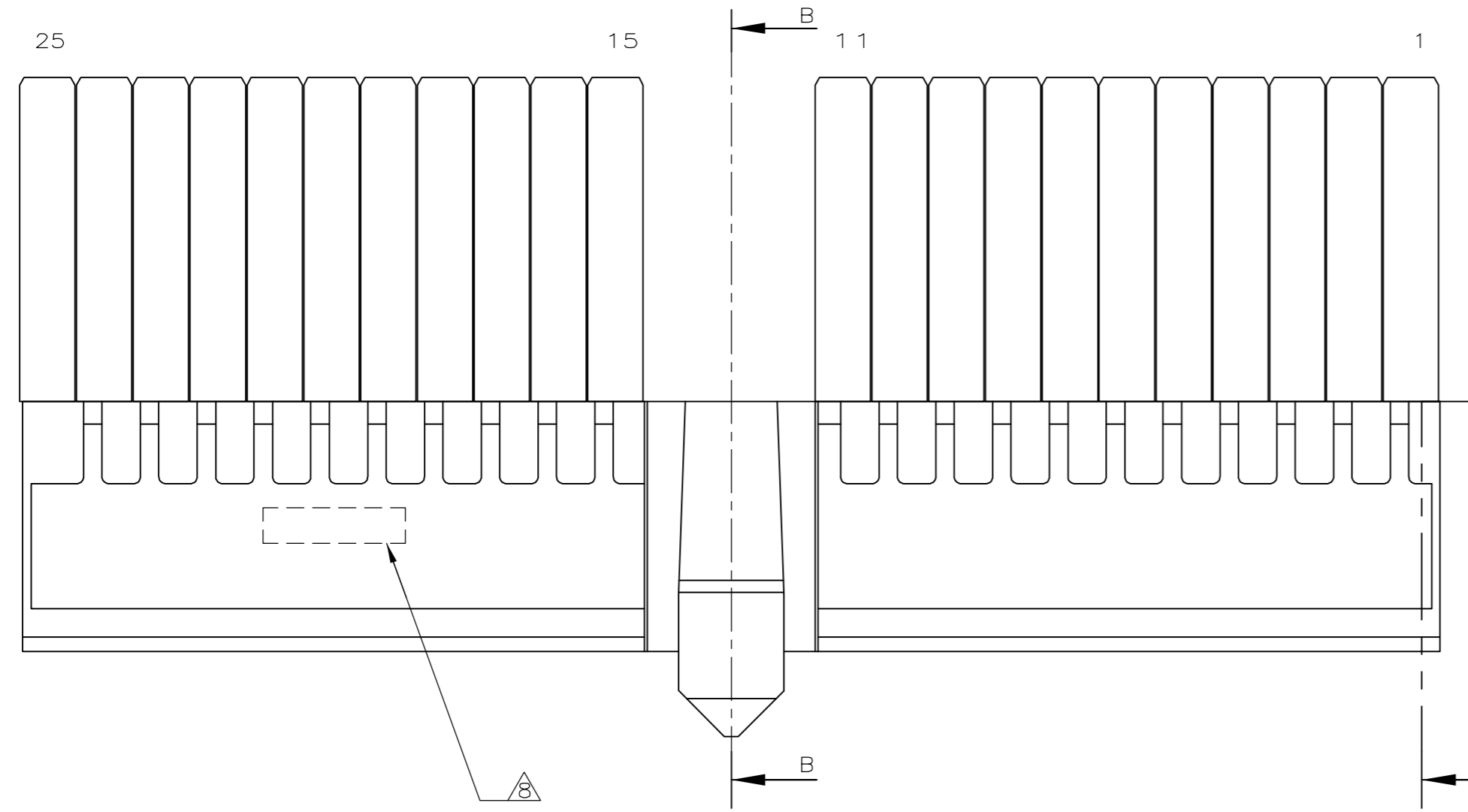
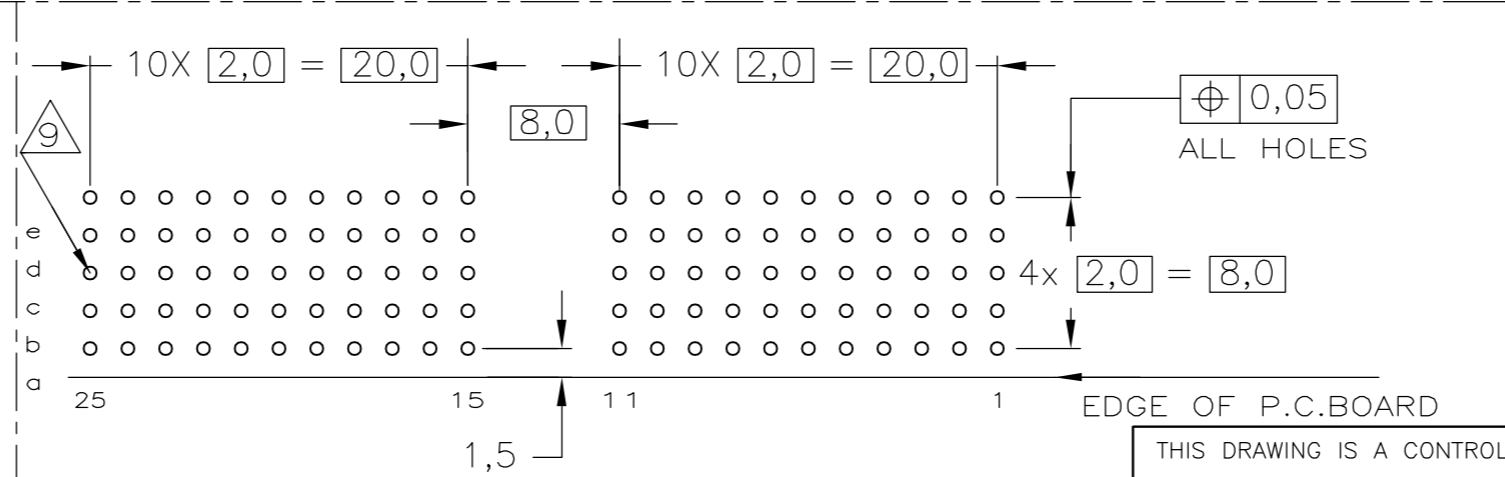


THIS DRAWING IS UNPUBLISHED. RELEASED FOR PUBLICATION
 © COPYRIGHT BY TYCO ELECTRONICS CORPORATION. ALL RIGHTS RESERVED.

LOC		DIST		REVISIONS			
P	LTR	DESCRIPTION	DATE	DWN	APVD		
B		EH10-0680-05	30MAY05	BSV	BM		



- NOTES:**
- ① MATERIAL CONTACT; PHOSPHORBRONZE
 - ② MATERIAL HOUSING; GLASSFILLED POLYESTER (GRAY) UL-RATING 49V0
 - ③ GENERAL PLATING SPECIFICATION: UNDERPLATING (ENTIRE CONTACT): 1,27µm NICKEL MIN. AND ACTION PIN: 0,5µm TIN MIN. FOR PLATING OF MATING SURFACES SEE APPLICABLE SPECIFICATION REFERENCE FOR EACH DASH NUMBER.
 - ④ CONFORMS TO ALL TESTING ACCORDING IEC 61076-4-101 PERFORMANCE LEVEL 2.
 - ⑤ CONFORMS TO ALL TESTING ACCORDING IEC 61076-4-101 PERFORMANCE LEVEL 1.
 - ⑥ CONNECTOR TESTED AND QUALIFIED AGAINST TELCORDIA GR-1217-CORE QUALITY LEVEL III, CENTRAL OFFICE APPLICATIONS.
 - ⑦ CONNECTOR TESTED AND QUALIFIED AGAINST TELCORDIA GR-1217-CORE QUALITY LEVEL III, UNCONTROLLED ENVIRONMENT APPLICATIONS.
 - ⑧ CONNECTOR LUBRICATED WITH TELCORDIA GR-1217-CORE APPROVED LUBRICANT.
 - ⑨ CONNECTOR MARKED WITH PARTNUMBER AND DATECODE. THE MARKING CAN APPEAR ON THE FRONT SIDE OR ON THE BACK SIDE.
 - ⑩ PLATED-THROUGH HOLES AT 2x2mm SQUARE GRID. 110 HOLES.
 - ⑪ FITS WITH INTEGRATED GROUND RETURN UPPERSHIELD, BASIC P.N. 5338107 AND INTEGRATED GROUND RETURN LOWERSHIELD, BASIC P.N. 5338108
 - ⑫ AREA RESERVED FOR CODING KEY, BASIC P.N. 100526
 - ⑬ CONNECTOR ASSEMBLED WITH ALTERNATE FEMALE CONTACTS.



SCALE 2,5:1
 COMPONENT SIDE AS SHOWN
 RECOMMENDED PCB-HOLE LAY-OUT

P.C.B. HOLE DIM. ACTION PIN
 FOR DETAILS SEE APPLICATION SPECIFICATION

THIS DRAWING IS A CONTROLLED DOCUMENT.

DIMENSIONS:	TOLERANCES UNLESS OTHERWISE SPECIFIED:
mm	0 PLC ± -
	1 PLC ± -
	2 PLC ± -
	3 PLC ± -
	4 PLC ± -
	ANGLES ± -
	FINISH

DWN	05AUG2004	Tyco Electronics Corporation 's-Hertogenbosch, 5222AR-32	NAME Z-PACK 2mm HM TYPE A 110 POS. FEMALE CONNECTOR
CHK	22SEP2004		
APVD	22SEP2004		
PRODUCT SPEC	108-19082		
APPLICATION SPEC	114-19029	SIZE	A2
WEIGHT	-	CAGE CODE	00779
CUSTOMER DRAWING		DRAWING NO	C=5100147
		RESTRICTED TO	-
		SCALE	5:1
		SHEET	1 OF 1
		REV	B