

Distributed by:

**JAMECO**<sup>®</sup>  
ELECTRONICS

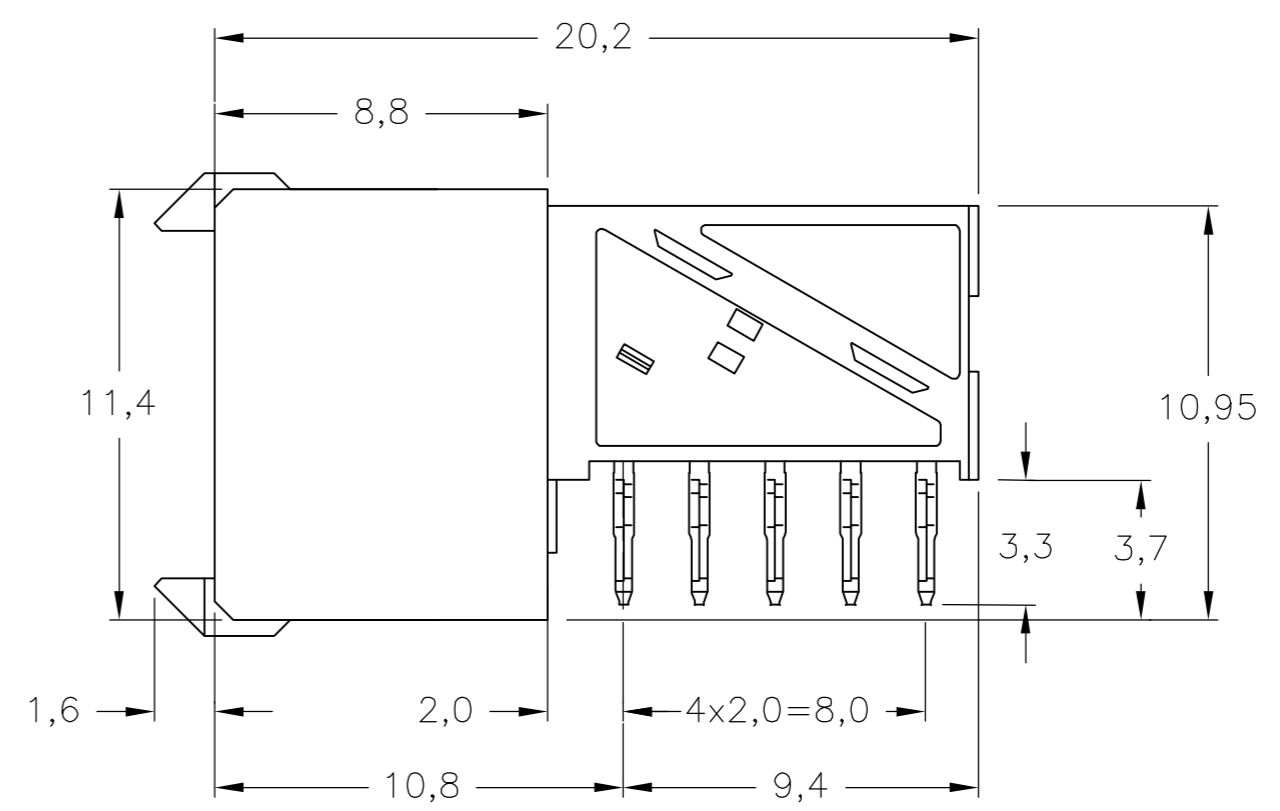
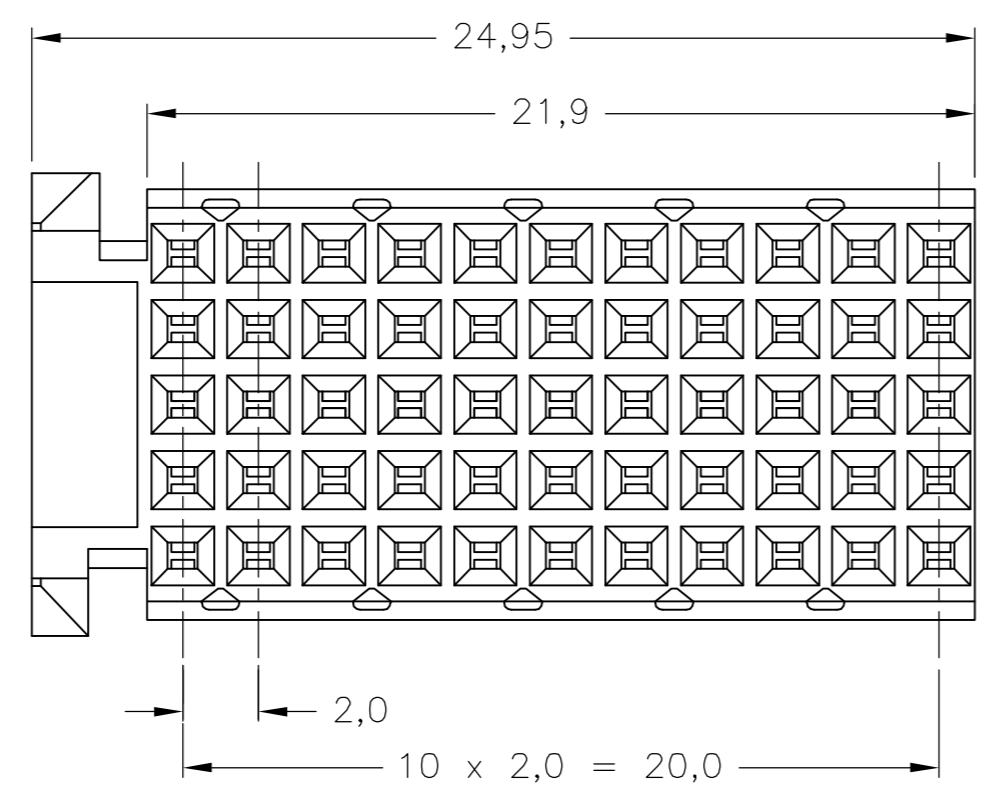
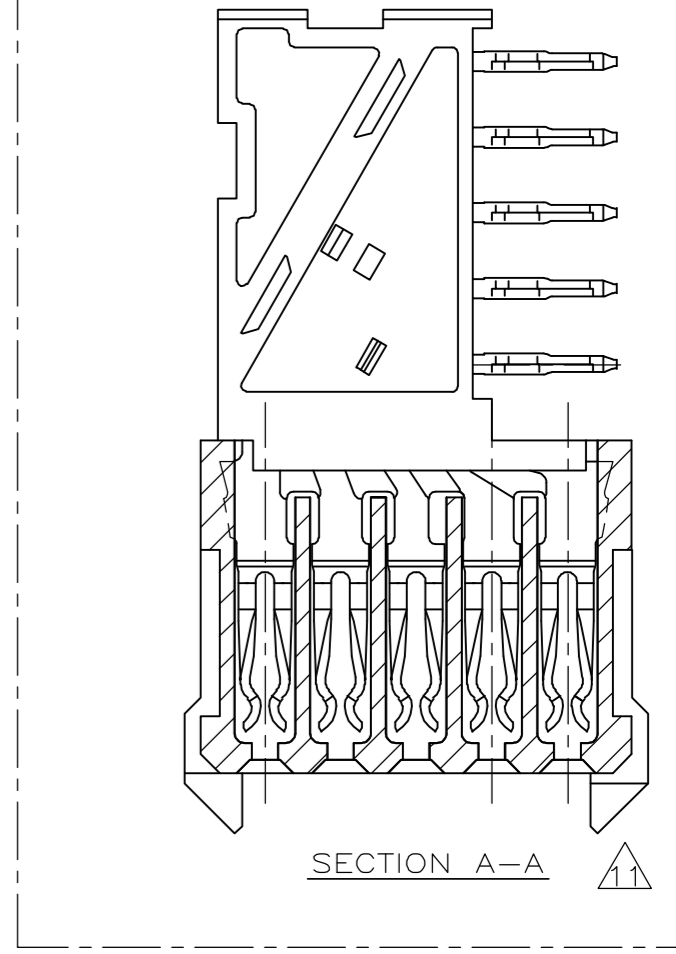
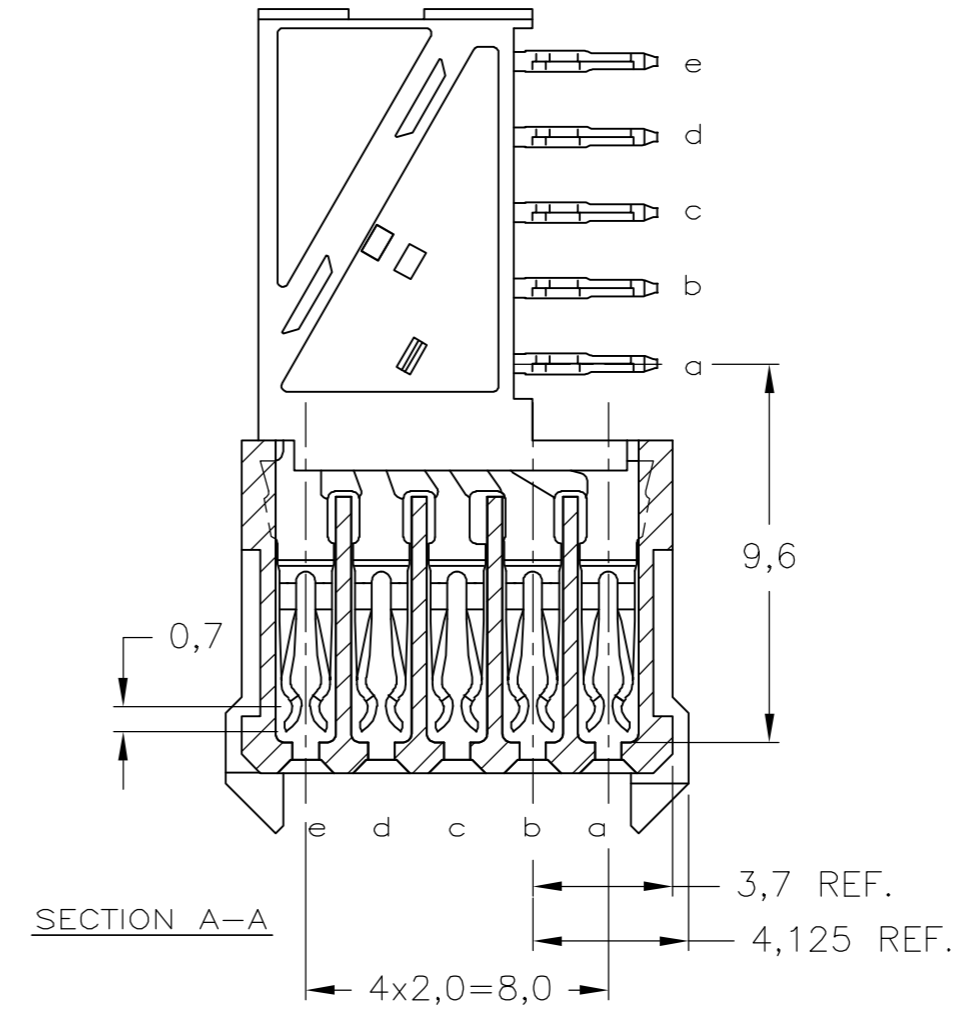
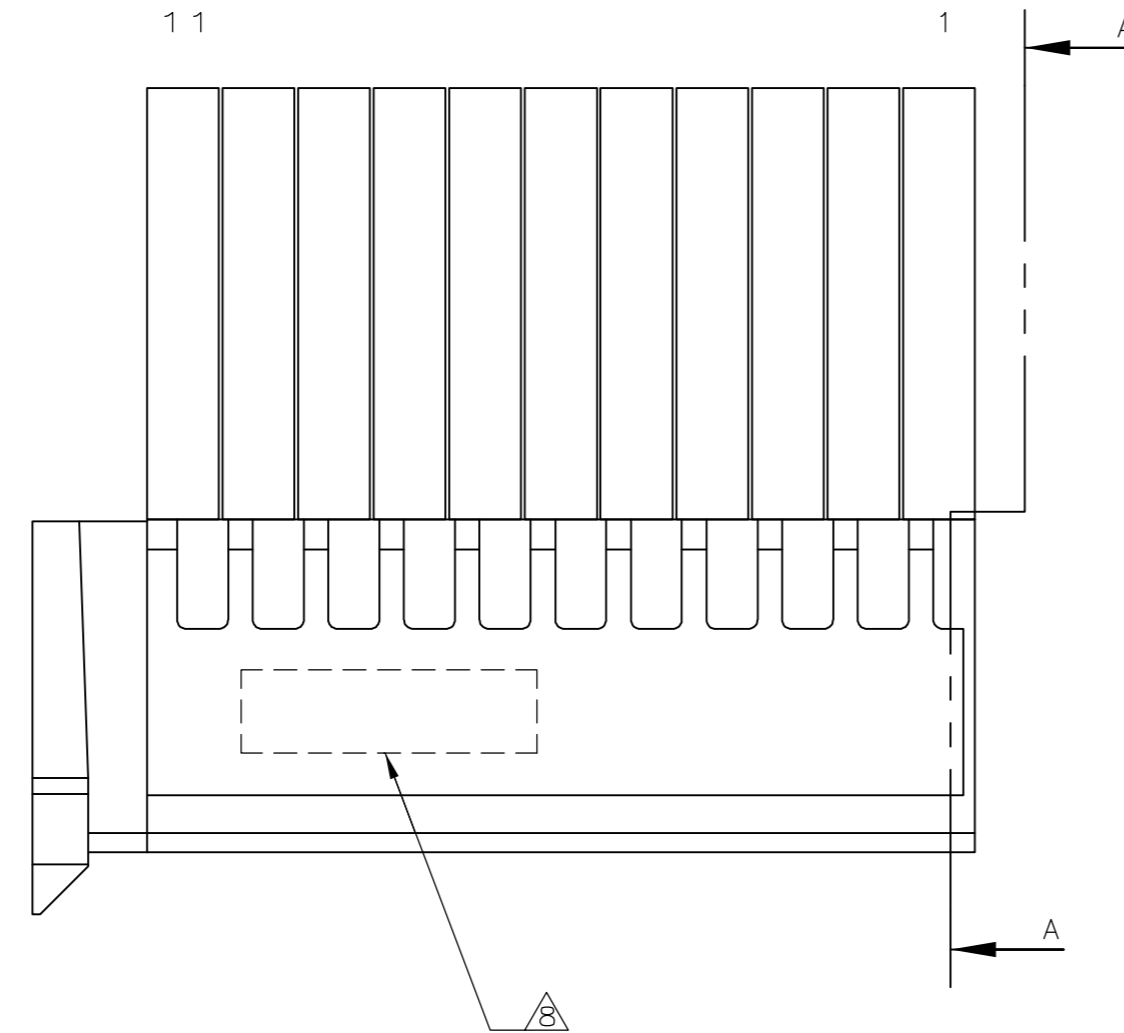
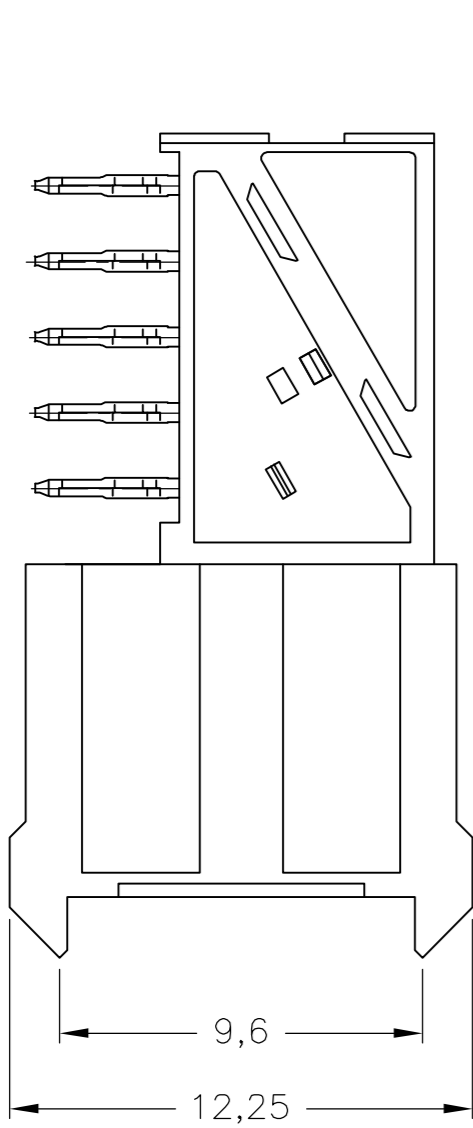
**www.Jameco.com ♦ 1-800-831-4242**

The content and copyrights of the attached  
material are the property of its owner.

Jameco Part Number 753395

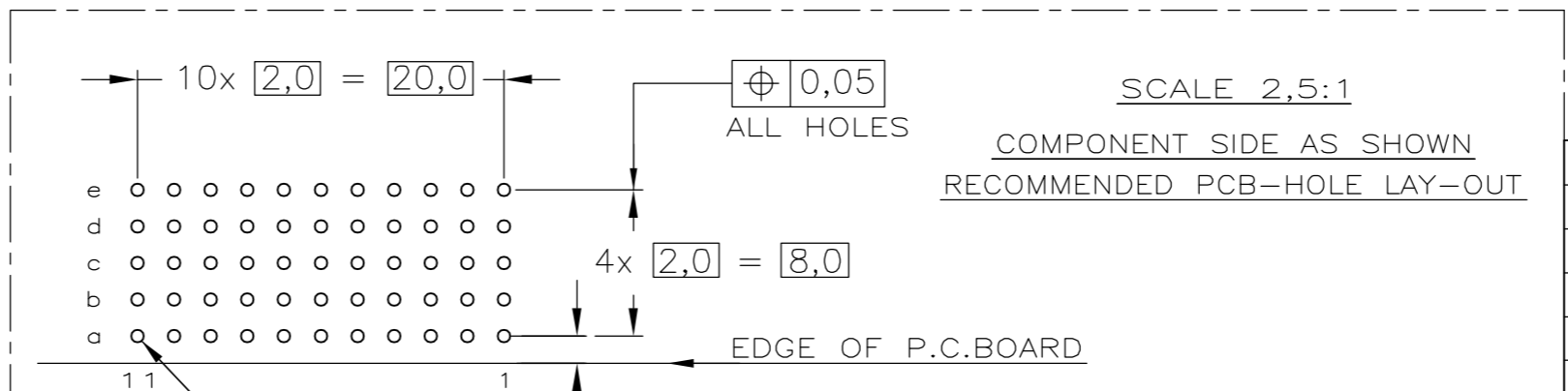
THIS DRAWING IS UNPUBLISHED. RELEASED FOR PUBLICATION  
 © COPYRIGHT BY TYCO ELECTRONICS CORPORATION. ALL RIGHTS RESERVED.

LOC		DIST		REVISIONS			
P	LTR	DESCRIPTION	DATE	DWN	APVD		
B		EH10-0680-05	31MAY05	BSV	BM		



NOTES:

- ⚠ MATERIAL CONTACT; PHOSPHORBRONZE  
MATERIAL HOUSING; GLASSFILLED POLYESTER (GRAY)  
UL-RATING 94V0.
- ⚠ GENERAL PLATING SPECIFICATION: UNDERPLATING (ENTIRE CONTACT): 1,27µm NICKEL MIN.  
AND ACTION PIN: 0,5µm TIN MIN.  
FOR PLATING OF MATING SURFACES SEE APPLICABLE SPECIFICATION REFERENCE FOR EACH DASH NUMBER.
- ⚠ CONFORMS TO ALL TESTING ACCORDING IEC 61076-4-101 PERFORMANCE LEVEL 2.
- ⚠ CONFORMS TO ALL TESTING ACCORDING IEC 61076-4-101 PERFORMANCE LEVEL 1.
- ⚠ CONNECTOR TESTED AND QUALIFIED AGAINST TELCORDIA GR-1217-CORE QUALITY LEVEL III, CENTRAL OFFICE APPLICATIONS.
- ⚠ CONNECTOR TESTED AND QUALIFIED AGAINST TELCORDIA GR-1217-CORE QUALITY LEVEL III, UNCONTROLLED ENVIRONMENT APPLICATIONS.
- ⚠ CONNECTOR LUBRICATED WITH TELCORDIA GR-1217-CORE APPROVED LUBRICANT.
- ⚠ CONNECTOR PRINTED WITH PARTNUMBER AND DATECODE  
THE MARKING CAN APPEAR ON THE FRONT SIDE OR ON THE BACK SIDE.
- ⚠ PLATED-THROUGH HOLES AT 2x2mm SQUARE GRID. 55 HOLES
- ⚠ FITS WITH INTEGRATED GROUND RETURN UPPERSHIELD, BASIC P.N. 5352111  
AND INTEGRATED GROUND RETURN LOWERSHIELD, BASIC P.N. 5352112
- ⚠ CONNECTOR ASSEMBLED WITH REDESIGNED CONTACTS.  
CONTACTS HAVE A CORING-OUT IN THE PLASTIC.



FINISH	MATERIAL	PARTNUMBER
⚠ 6 ⚠	⚠	1-5100161-9
⚠ 5 ⚠	⚠	5100161-9
⚠ 4 ⚠	⚠	5100161-4
⚠ 3 ⚠	⚠	5100161-1

THIS DRAWING IS A CONTROLLED DOCUMENT.		DWN K.N.KIRAN 06AUG2004
DIMENSIONS: mm		CHK B.MOOIJ 22SEP2004
TOLERANCES UNLESS OTHERWISE SPECIFIED:		APVD B.MOOIJ 22SEP2004
0 PLC ± -	1 PLC ± -	PRODUCT SPEC 108-19082
2 PLC ± -	3 PLC ± -	APPLICATION SPEC 114-19029
4 PLC ± -	ANGLES ± -	WEIGHT -
FINISH		CUSTOMER DRAWING

Tyco Electronics Corporation 's-Hertogenbosch, 5222AR-32		NAME	
Z-PACK 2mm HM TYPE C 55 POS. FEMALE CONNECTOR		SIZE A2	CAGE CODE 00779
DRAWING NO C=5100161		RESTRICTED TO	
SCALE 4:1	SHEET 1 OF 1	REV B	

P.C.B. HOLE DIM. ACTION PIN  
FOR DETAILS SEE  
APPLICATION SPECIFICATION