



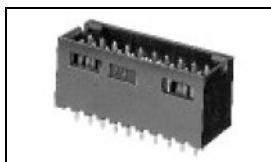
Have a Question?
 Chat with a Product
 Information Specialist

What can we help you find?

[Products](#) |
 [Industries](#) |
 [Resources](#) |
 [About TE](#) |
 [My Account](#) |
 [Innovation](#) |
 [Support Center](#)

5-102618-3 Product Details

[Share](#) |
 [Print](#) |
 [Email](#)



5-102618-3

TE Internal Number: 5-102618-3

Active

View 3D PDF

.100 inch AMPMODU Headers

Always EU RoHS/ELV Compliant (Statement of Compliance)

Product Highlights:

- Connector
- Header Type = Shrouded
- 10 Positions
- Mating Post Length = 8.08 mm
- Row-to-Row Spacing = 2.54 mm

[View all Features](#)

Quick Links

- ▶ [Pricing & Availability](#)
- ▶ [Search for Tooling](#)
- ▶ [Product Feature Selector](#)
- ▶ [Contact Us About This Product](#)

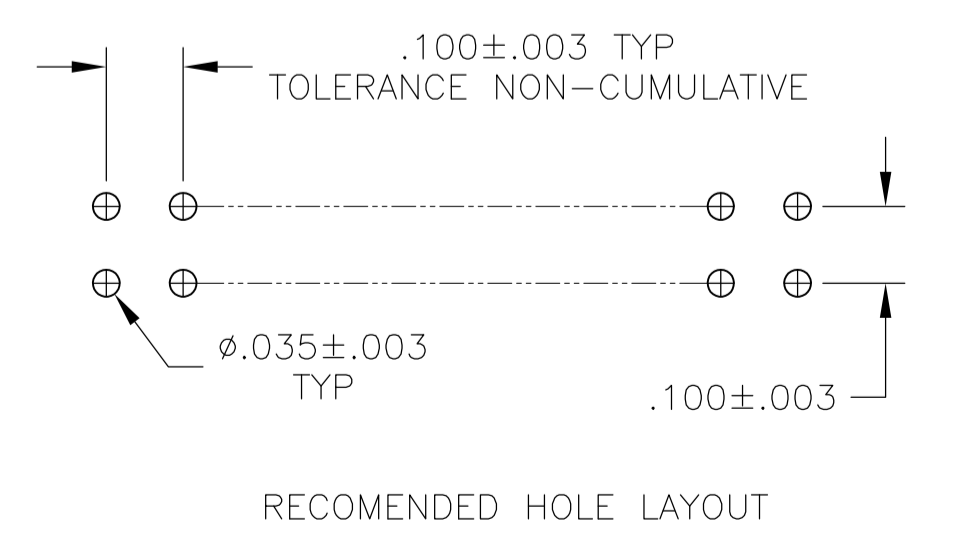
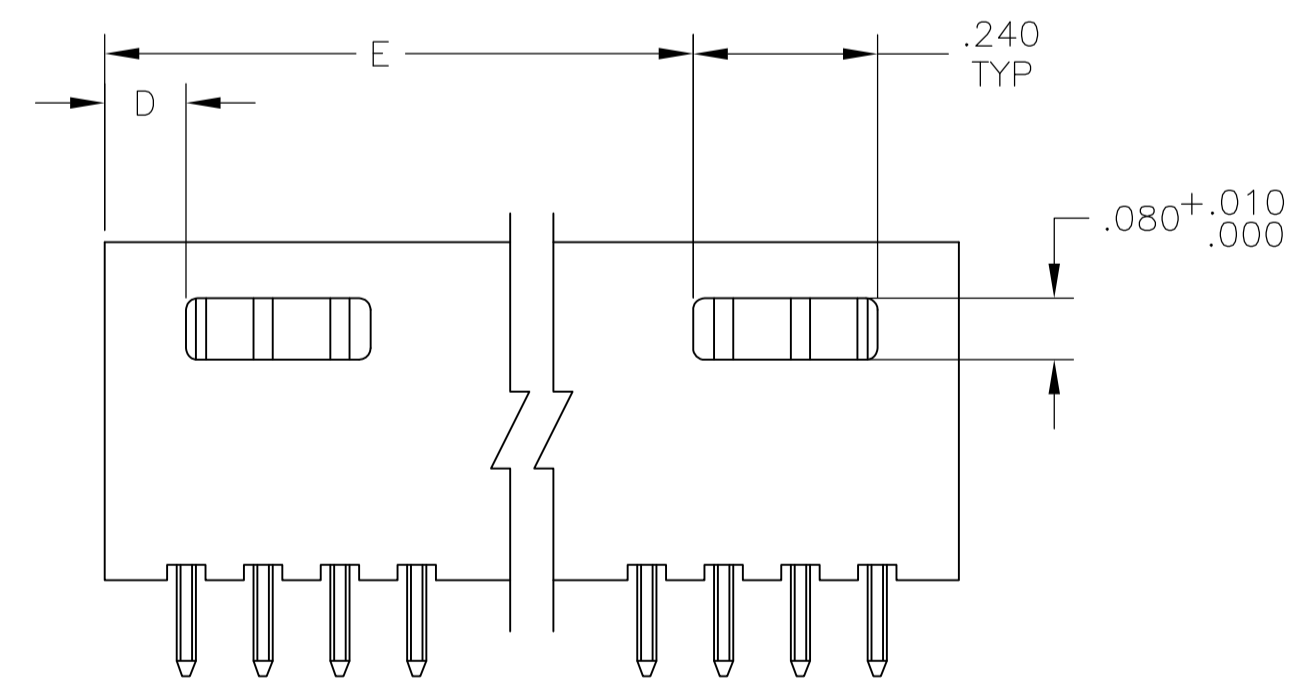
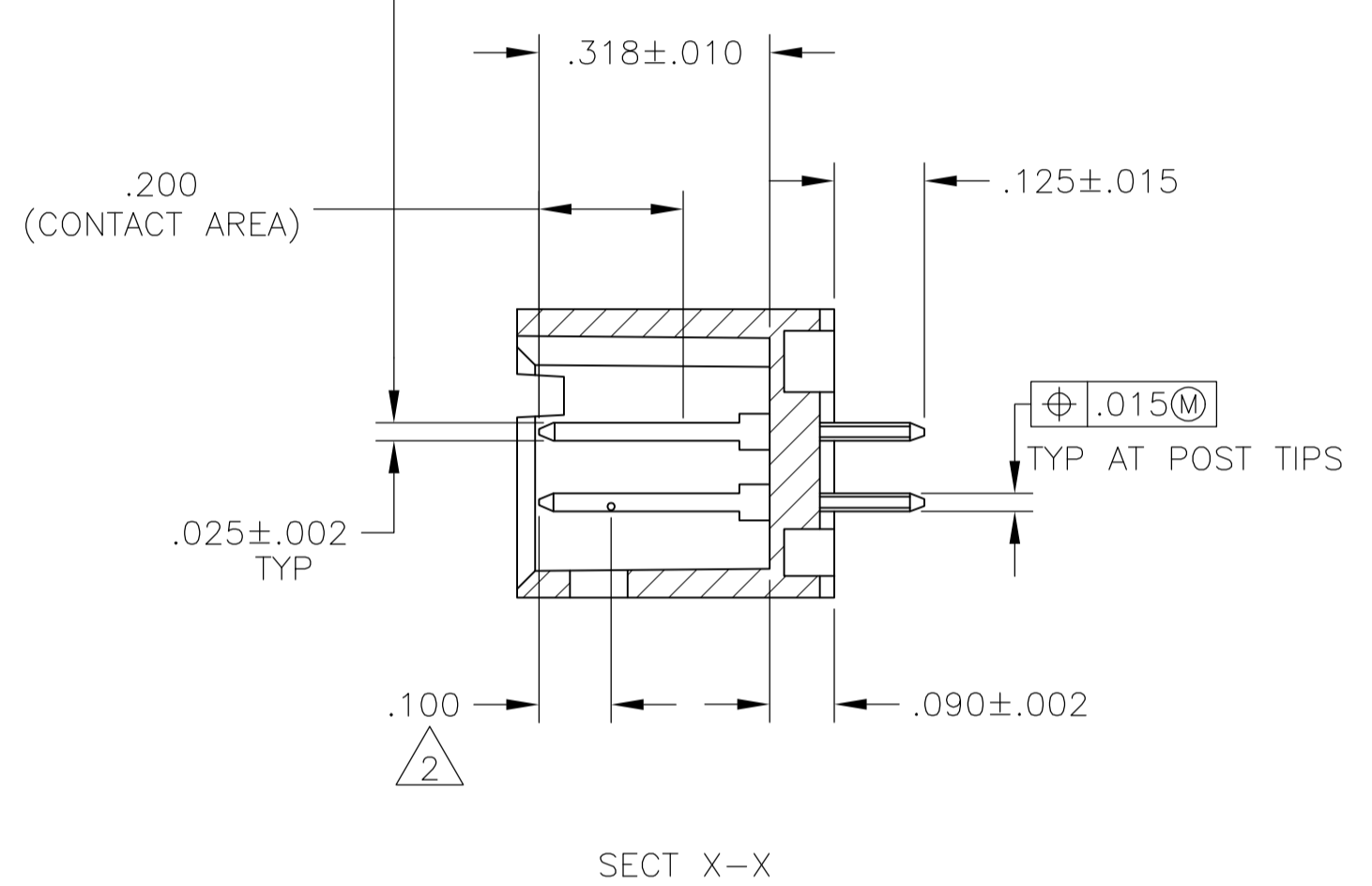
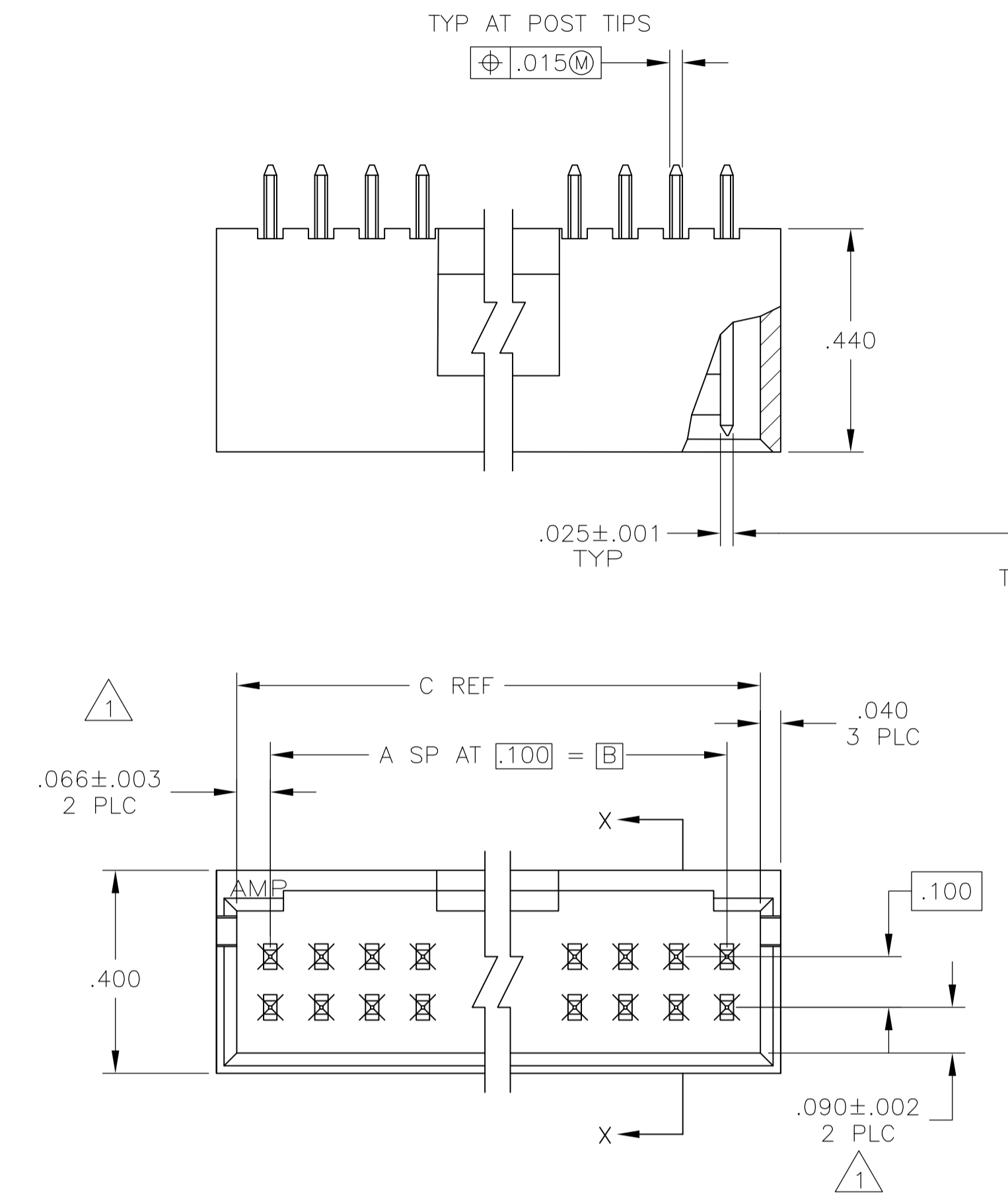
[Add to My Part List](#) |
 [Request Sample](#) |
 [Find Similar Products](#) |
 [Buy Product](#)

Documentation & Additional Information	
<p>Product Drawings:</p> <ul style="list-style-type: none"> • HDR ASSY, MOD II, SHROUDED, 4 SIDES, DBL ROW, VERTIC... (PDF, English) <p>Catalog Pages/Data Sheets:</p> <ul style="list-style-type: none"> • AMPMODU_INTERCONNECTION_SYSTEM_SECTIONS5 (PDF, English) <p>Product Specifications:</p> <ul style="list-style-type: none"> • None Available <p>Application Specifications:</p> <ul style="list-style-type: none"> • None Available <p>Instruction Sheets:</p> <ul style="list-style-type: none"> • None Available <p>CAD Files: (CAD Format & Compression Information)</p> <ul style="list-style-type: none"> • 2D Drawing (DXF, Version K) • 3D Model (IGES, Version K) • 3D Model (STEP, Version K) 	<p>Additional Information:</p> <ul style="list-style-type: none"> • Product Line Information <p>Related Products:</p> <ul style="list-style-type: none"> • Tooling
<p>List all Documents</p>	

Product Features (Please use the Product Drawing for all design activity)	
<p>Product Type Features:</p> <ul style="list-style-type: none"> • Product Type = Connector • Mount Angle = Vertical • PCB Mount Retention = Without • Surface Mount Compatible = No • Board Standoff = Without • Mating Connector Lock = With • Mating Connector Lock Type = Detent Windows • Post Size (mm [in]) = 0.64 [.025] • Profile = Standard <p>Mechanical Attachment:</p> <ul style="list-style-type: none"> • Mounting Ears = Without • Panel Mount Retention = Without <p>Termination Features:</p> <ul style="list-style-type: none"> • Termination Post Length (mm [in]) = 3.18 [0.125] • Solder Tail Contact Plating = Tin over Nickel <p>Dimensions:</p> <ul style="list-style-type: none"> • Mating Post Length (mm [in]) = 8.08 [0.318] • [Shrouded] End Dimension (mm [in]) = 1.68 [0.066] <p>Body Features:</p> <ul style="list-style-type: none"> • Header Type = Shrouded • Row-to-Row Spacing (mm [in]) = 2.54 [0.100] • Selectively Loaded = No • Mount Type = Printed Circuit Board <p>Contact Features:</p> <ul style="list-style-type: none"> • Contact Plating, Mating Area, Material = Gold (15) • Contact Shape = Square • Contact Base Material = Phosphor Bronze 	<p>Housing Features:</p> <ul style="list-style-type: none"> • Housing Material = Thermoplastic - GF • Housing Style = 4-Sided • Housing Color = Black • UL Flammability Rating = UL 94V-0 <p>Configuration Features:</p> <ul style="list-style-type: none"> • Number of Positions = 10 • Number of Rows = 2 <p>Industry Standards:</p> <ul style="list-style-type: none"> • RoHS/ELV Compliance = RoHS compliant, ELV compliant • Lead Free Solder Processes = Wave solder capable to 240°C • RoHS/ELV Compliance History = Always was RoHS compliant <p>Environmental:</p> <ul style="list-style-type: none"> • Operating Temperature (°C) = -55 - +105 <p>Conditions for Usage:</p> <ul style="list-style-type: none"> • High Temperature Housing = No <p>Operation/Application:</p> <ul style="list-style-type: none"> • High Speed Serial Data Connector = No <p>Other:</p> <ul style="list-style-type: none"> • Brand = AMP

LOC		DIST		REVISIONS			
AD	00	REV	PER	ECO	NO	DATE	BY
L2	REVISED	PER	ECO-11-004587			11MAR11	RK HMR

- 1 THE NOTED DIMENSIONS APPLY AT THE INTERSECTION OF THE POST AND HOUSING
- 2 POINT OF MEASUREMENT FOR PLATING THICKNESS
- 3 FINISH: POSTS:.000015 GOLD IN CONTACT AREA, .000100-.000200 MATTE TIN-LEAD ON SOLDER TAIL, ALL OVER .000050 NICKEL
- 4 FINISH: POSTS:.000015 GOLD IN CONTACT AREA, .000100-.000200 MATTE TIN ON SOLDER TAIL, ALL OVER .000050 NICKEL
- 5 MATERIALS: HOUSING- FLAME RETARDANT THERMOPLASTIC, COLOR-BLACK
POSTS- PHOS BRONZE
- 6 OBSOLETE PARTS: OBSOLETE CIS STREAMLINING PER D.RENAUD/D.SINISI



REV	DESCRIPTION	DATE	BY	APPV
8-102618-5				
8-102618-4				
8-102618-3				
8-102618-2				
8-102618-1				
8-102618-0				
7-102618-9				
7-102618-8				
7-102618-7				
7-102618-6				
7-102618-5				
7-102618-4				
7-102618-3				
7-102618-2				
7-102618-1				
7-102618-0				
6-102618-9				
6-102618-8				
6-102618-7				
6-102618-6				
6-102618-5				
6-102618-4				
6-102618-3				
6-102618-2				
6-102618-1				
6-102618-0				
5-102618-9				
5-102618-8				
5-102618-7				
5-102618-6				
5-102618-5				
5-102618-4				
5-102618-3				
5-102618-2				
5-102618-1				
5-102618-0				
3-102618-5				
3-102618-4				
3-102618-3				
3-102618-2				
3-102618-1				
3-102618-0				
2-102618-9				
2-102618-8				
2-102618-7				
2-102618-6				
2-102618-5				
2-102618-4				
2-102618-3				
2-102618-2				
2-102618-1				
2-102618-0				
1-102618-9				
1-102618-8				
1-102618-7				
1-102618-6				
1-102618-5				
1-102618-4				
1-102618-3				
1-102618-2				
1-102618-1				
1-102618-0				
—102618-9				
102618-8				
102618-7				
102618-6				
102618-5				
102618-4				
102618-3				
102618-2				
102618-1				

△ SUP BY 5-102618-9

THIS DRAWING IS A CONTROLLED DOCUMENT.

APPROVED: LA MAYER, 4-9-87

DATE: 4-9-87

NAME: R. FEIDT

PRODUCT SPEC: HDR ASSY, MOD II, SHROUDED, 4 SIDES, DBL ROW, VERTICAL, .100X.100 C/L, WITH .025 SQ POSTS

SIZE: A1

WEIGHT: 100779

RESTRICTED CUSTOMER

SCALE: 4:1

SHEET: 1 OF 1

REV: L2

STE TE Connectivity