



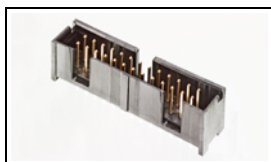
Have a Question?
 Chat with a Product
 Information Specialist

What can we help you find?

[Products](#) |
 [Industries](#) |
 [Resources](#) |
 [About TE](#) |
 [My Account](#) |
 [Innovation](#) |
 [Support Center](#)

5103308-3 Product Details

[Share](#) |
 [Print](#) |
 [Email](#)



5103308-3

TE Internal Number: 5103308-3

Active

[View 3D PDF](#)

AMP-LATCH Pin and Pinless Headers

Always EU RoHS/ELV Compliant (Statement of Compliance)

Product Highlights:

- Header
- Header Type = Pin Header
- AMP-LATCH Product Line
- Low Profile
- 16 Positions

[View all Features](#)

Quick Links

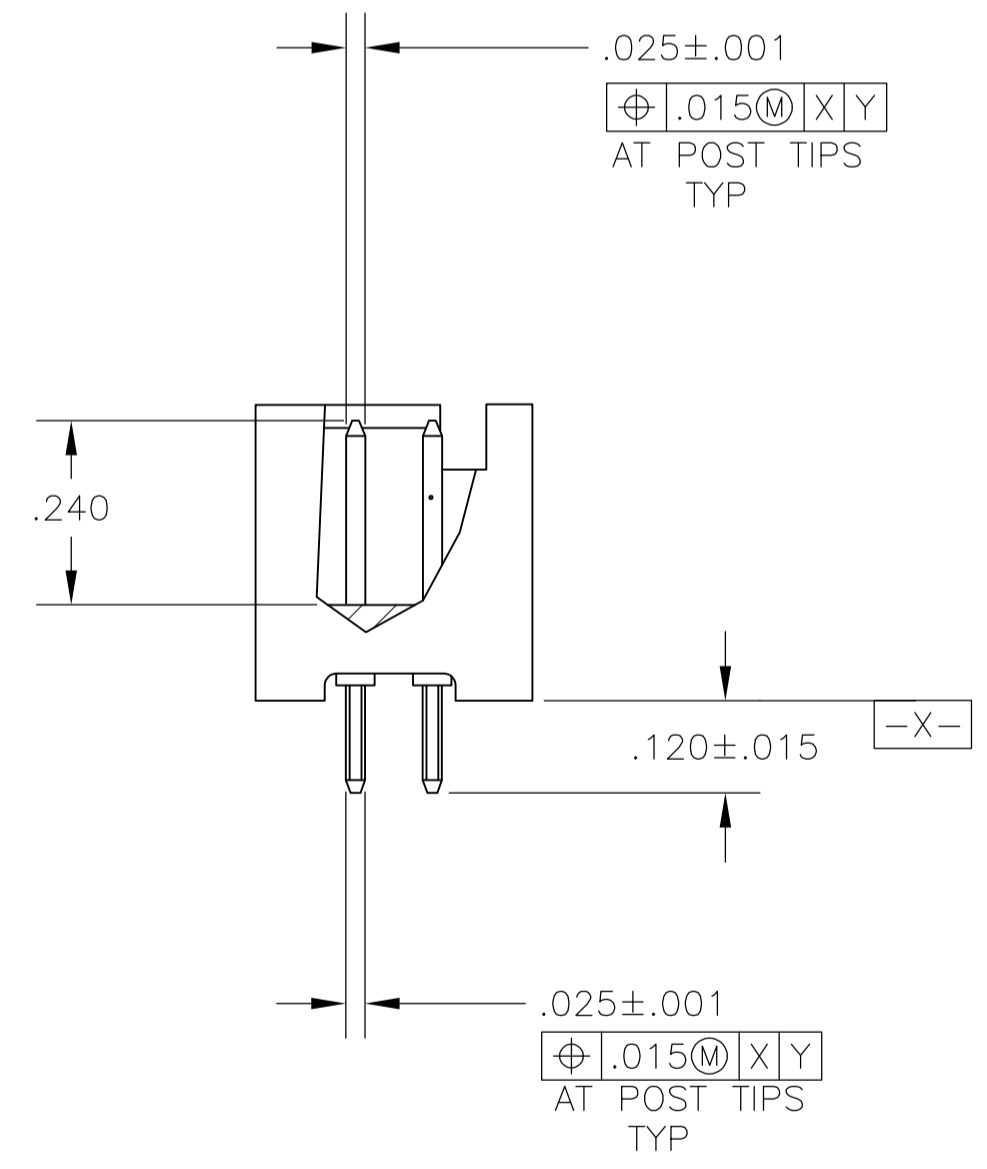
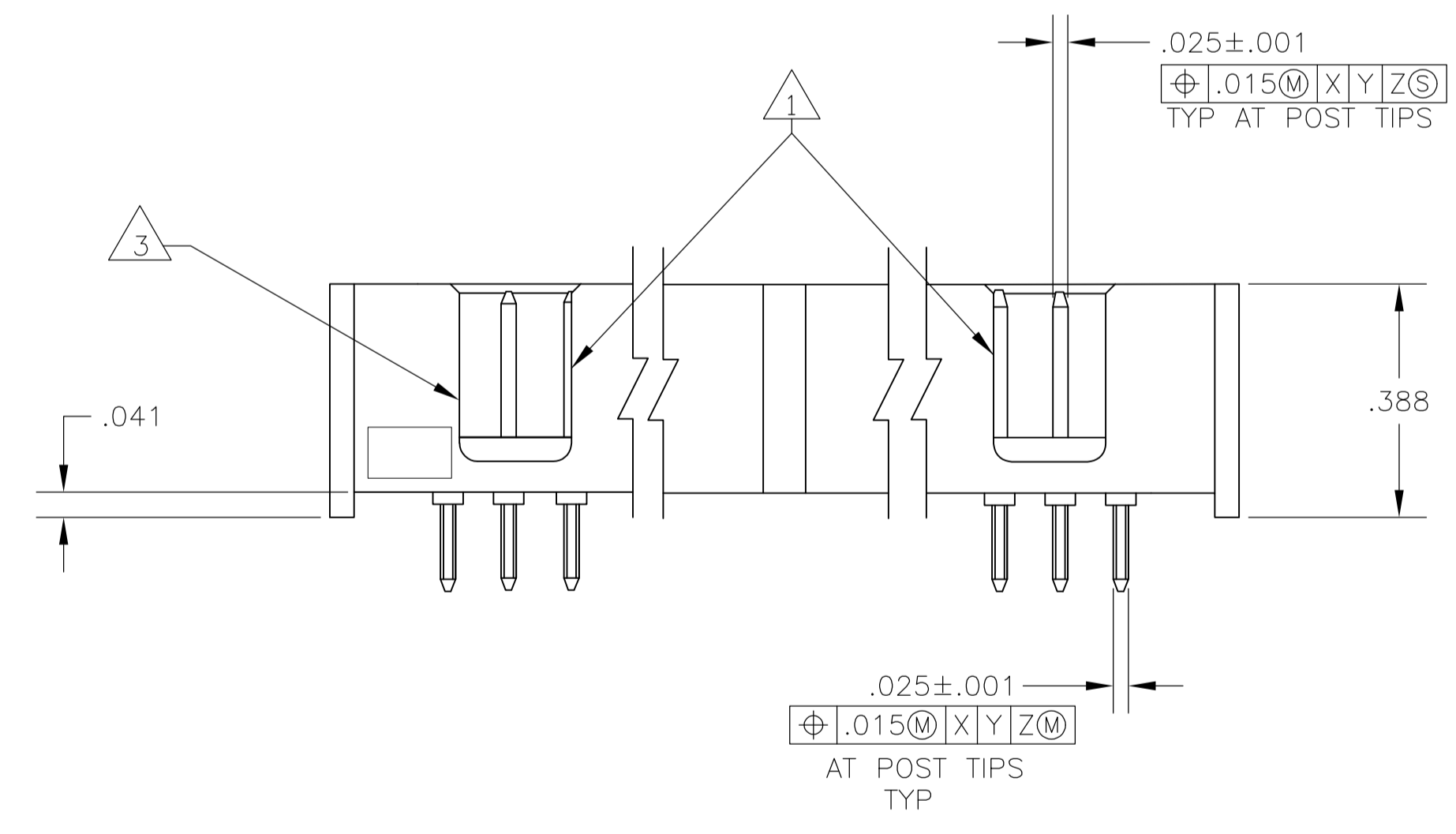
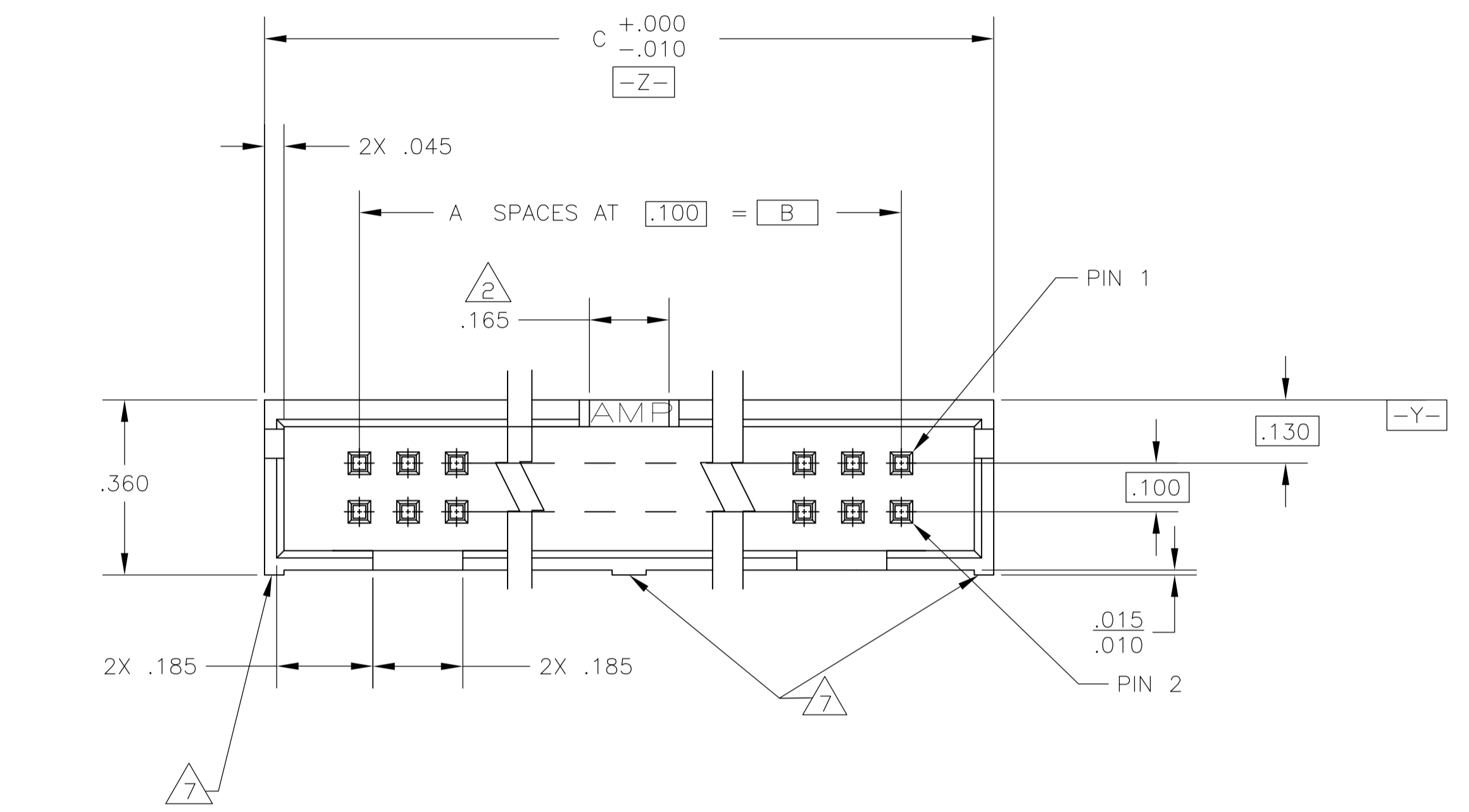
- ▶ [Pricing & Availability](#)
- ▶ [Search for Tooling](#)
- ▶ [View Mating Products \(5\)](#)
- ▶ [Product Feature Selector](#)
- ▶ [Contact Us About This Product](#)

[Add to My Part List](#) |
 [Request Sample](#) |
 [Find Similar Products](#) |
 [Buy Product](#)

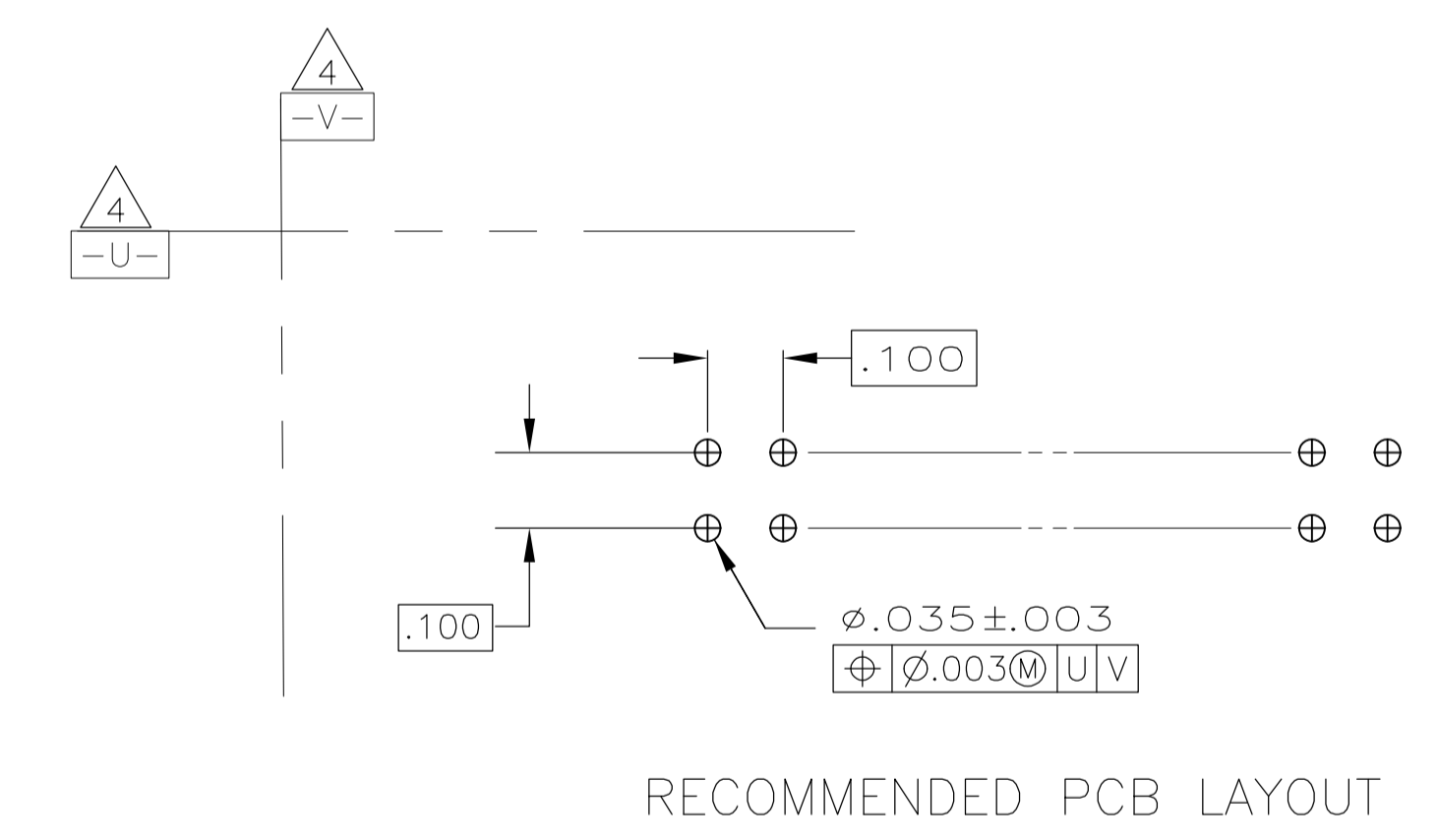
Documentation & Additional Information	
<p>Product Drawings:</p> <ul style="list-style-type: none"> • HEADER ASSY, VERTICAL, LOW PROFILE, AMP-LATCH (PDF, English) <p>Catalog Pages/Data Sheets:</p> <ul style="list-style-type: none"> • AMPMODU_INTERCONNECTION_SYSTEM_SECTIONS (PDF, English) • 7-1773458-6_AMPLATCH_QRG (PDF, English) • Ribbon Cable Interconnect Solutions (PDF, English) <p>Product Specifications:</p> <ul style="list-style-type: none"> • AMP-LATCH and IDC Header Connectors, .100 x .100 Inc... (PDF, English) <p>Application Specifications:</p> <ul style="list-style-type: none"> • None Available <p>Instruction Sheets:</p> <ul style="list-style-type: none"> • None Available <p>CAD Files: (CAD Format & Compression Information)</p> <ul style="list-style-type: none"> • 2D Drawing (DXF, Version B) • 3D Model (IGES, Version B) • 3D Model (STEP, Version B) 	<p>Additional Information:</p> <ul style="list-style-type: none"> • Product Line Information <p>Related Products:</p> <ul style="list-style-type: none"> • Tooling • Mating Products (5)

[List all Documents](#)

Product Features (Please use the Product Drawing for all design activity)	
<p>Product Type Features:</p> <ul style="list-style-type: none"> • Connector Type = Header • Product Line = AMP-LATCH • Profile = Low • PCB Mounting Orientation = Vertical • PCB Mount Retention = Without • Mating Connector Lock = Without • Ejection Latches = Without • Post Size (mm [in]) = 0.64 [.025] • Shrouded = Yes <p>Electrical Characteristics:</p> <ul style="list-style-type: none"> • Current Rating (A) = 1 • Insulation Resistance (MΩ) = 5,000 <p>Termination Features:</p> <ul style="list-style-type: none"> • Termination Post Length (mm [in]) = 3.05 [0.120] • Solder Tail Contact Plating = Tin over Nickel <p>Dimensions:</p> <ul style="list-style-type: none"> • [Shrouded] End Dimension (mm [in]) = 3.81 [0.150] <p>Body Features:</p> <ul style="list-style-type: none"> • Header Type = Pin Header • Daisy Chain = With <p>Contact Features:</p> <ul style="list-style-type: none"> • Contact Plating, Mating Area, Material = Gold (15), Gold Flash over Palladium Nickel • Contact Shape = Square • Contact Base Material = Copper Alloy 	<p>Housing Features:</p> <ul style="list-style-type: none"> • Centerline, Matrix (mm [in]) = 2.54 x 2.54 [.100 x .100] • Mating Alignment Type = Center, Dual Polarizing Bar • Housing Style = 4-Sided • Mating Alignment = With • Housing Material = Thermoplastic - GF • UL Flammability Rating = UL 94V-0 • Housing Color = Black <p>Configuration Features:</p> <ul style="list-style-type: none"> • Number of Positions = 16 <p>Industry Standards:</p> <ul style="list-style-type: none"> • RoHS/ELV Compliance = RoHS compliant, ELV compliant • Lead Free Solder Processes = Wave solder capable to 240°C, Wave solder capable to 260°C, Wave solder capable to 265°C • RoHS/ELV Compliance History = Always was RoHS compliant • Approved Standards = UL E28476, CSA LR7189 <p>Environmental:</p> <ul style="list-style-type: none"> • Operating Temperature (°C) = -65 - +105 <p>Conditions for Usage:</p> <ul style="list-style-type: none"> • Temperature Rating = Standard <p>Other:</p> <ul style="list-style-type: none"> • Brand = AMP



- 1 DOUBLE BAR POLARIZATION SLOTS.
- 2 CENTER POLARIZATION SLOT.
- 3 FOR 10 POSN ASSEMBLY, SLOT OMITTED IN THIS LOCATION.
- 4 DATUMS U AND V TO BE ESTABLISHED BY THE CUSTOMER.
- 5 HOUSING: GLASS FILLED NYLON OR PBT, BLACK, UL 94V-0 RATED. POSTS: BRASS.
- 6 POSTS: GOLD FLASH OVER PALLADIUM-NICKEL PLATE, .000015 MIN TOTAL ON THE MATING SURFACES, .000100 MIN TIN PLATE ON THE SOLDER-TAILS, .000050 MIN NICKEL UNDERPLATE ON THE ENTIRE POST.
-OR-
.000015 MIN GOLD PLATE ON THE MATING SURFACES, .000100 MIN TIN PLATE ON THE SOLDER-TAILS, .000050 MIN NICKEL UNDERPLATE ON THE ENTIRE POST.
- 7 RIBS:
ALL POSITION SIZES-2 LOCATED AT ENDS OF HOUSING.
20 THRU 34 POSITION SIZES-1 ADDITIONAL RIB CENTERED ON HOUSING.
40 THRU 60 POSITION SIZES- 2 ADDITIONAL RIBS EVENLY SPACED WITHIN REMAINING LENGTH OF HOUSING.



1.500	1.100	11	24	1-5103308-3
3.300	2.900	29	60	1-5103308-2
2.800	2.400	24	50	1-5103308-0
2.300	1.900	19	40	5103308-8
2.000	1.600	16	34	5103308-7
1.600	1.200	12	26	5103308-6
1.300	.900	9	20	5103308-5
1.100	.700	7	16	5103308-3
1.000	.600	6	14	5103308-2
.800	.400	4	10	5103308-1
C	B	A	NO OF POSN	PART NUMBER

THIS DRAWING IS A CONTROLLED DOCUMENT.

DIMENSIONS: INCHES	TOLERANCES UNLESS OTHERWISE SPECIFIED:	0 PLC ± -	1 PLC ± -	2 PLC ± -	3 PLC ± .005	4 PLC ± -	ANGLES ± -
MATERIAL		FINISH		WEIGHT		SCALE	

APPROVED: B. LATTUCA, S. BOLASH, M. WALMSLEY

NAME: M. WALMSLEY

PRODUCT SPEC: 108-40018

APPLICATION SPEC: -

SIZE: A1

WEIGHT: -

CAGE CODE: 00779

DRAWING NO: 5103308

RESTRICTED TO: -

CUSTOMER DRAWING

SCALE: 4:1

SHEET: 1 OF 1

REV: E

STE TE Connectivity

HEADER ASSY, VERTICAL, LOW PROFILE, AMP-LATCH