

Distributed by:

JAMECO[®]
ELECTRONICS

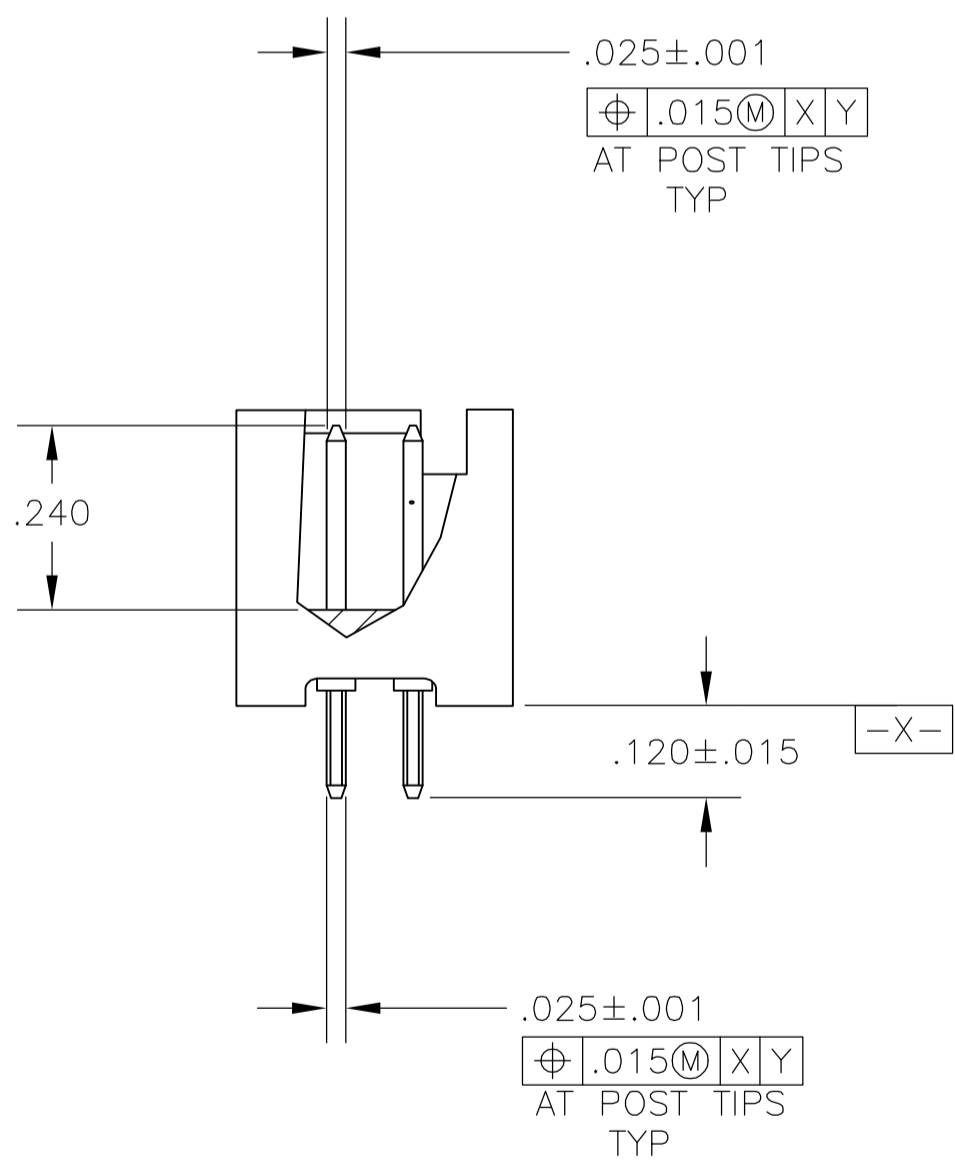
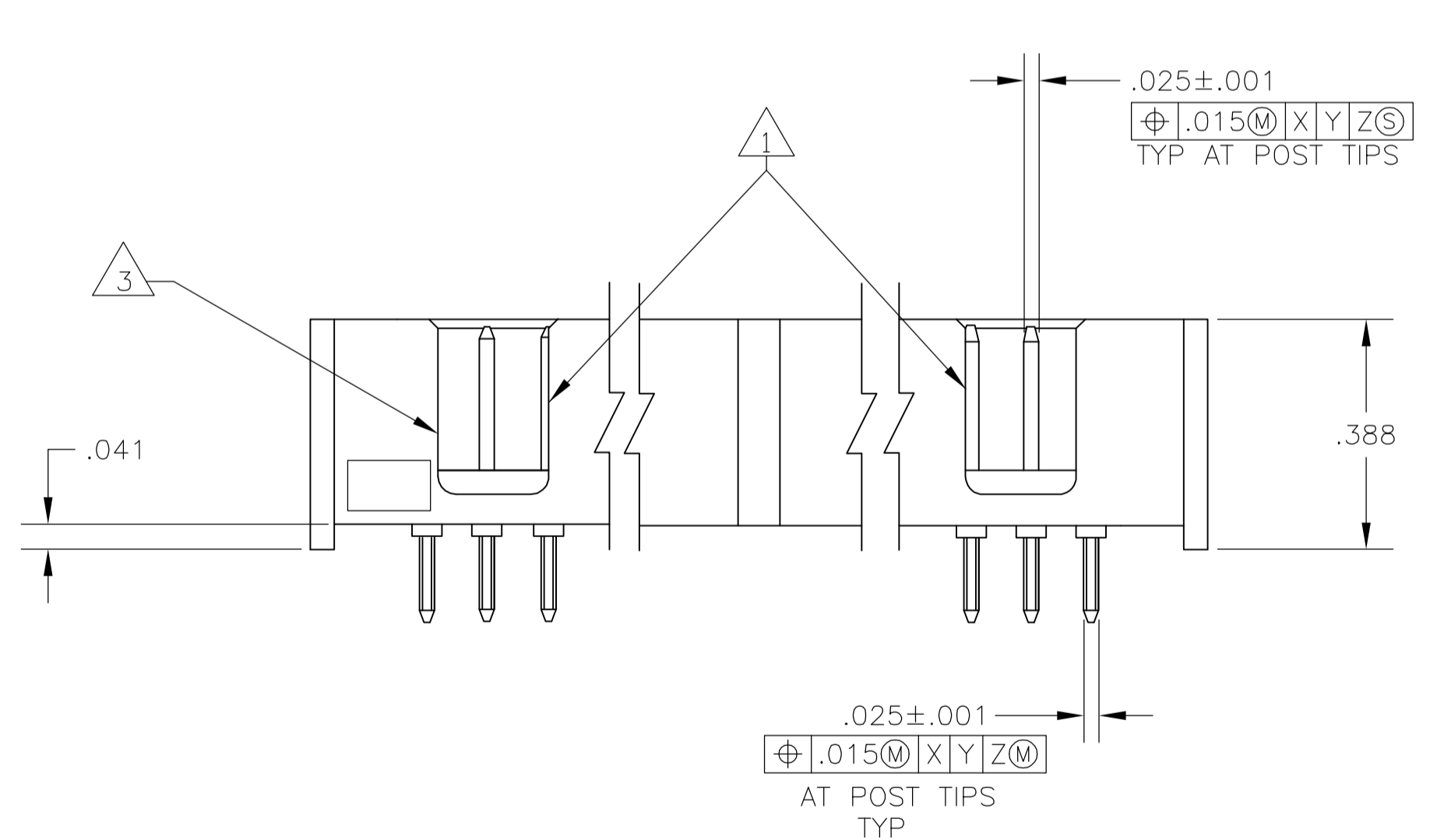
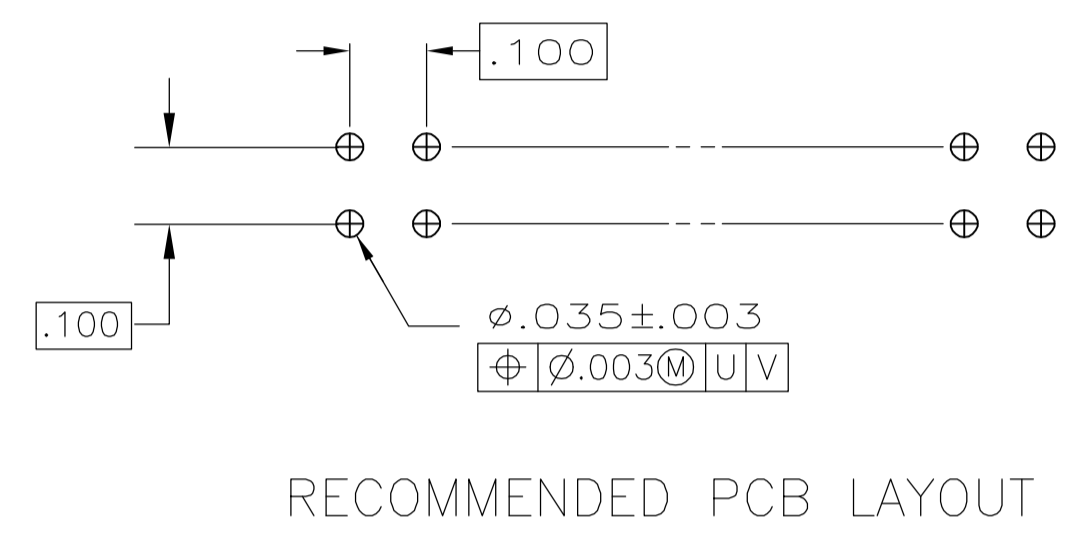
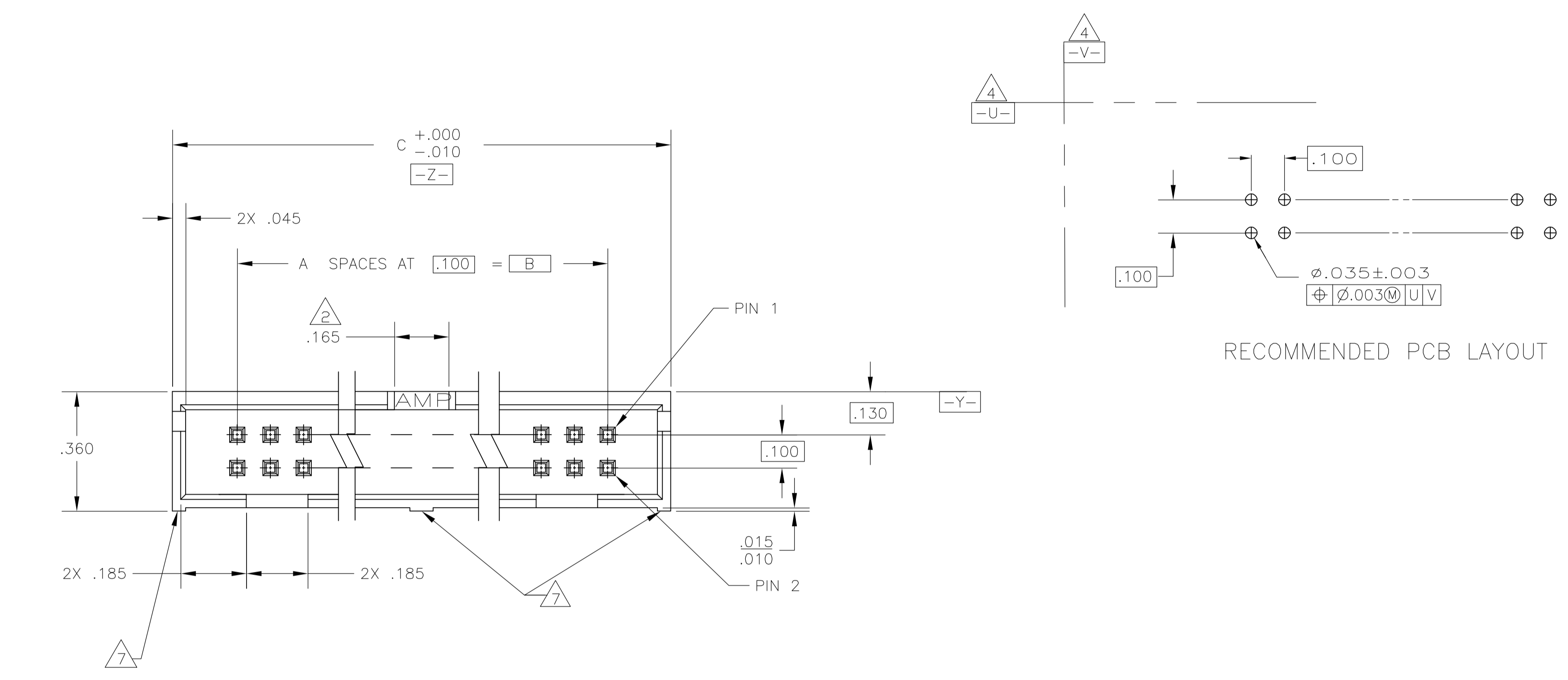
www.Jameco.com ♦ 1-800-831-4242

The content and copyrights of the attached
material are the property of its owner.

Jameco Part Number 753555

LOC		DIST		REVISIONS				
GP	00	REV	DATE	DESCRIPTION	DATE	BY	APP'D	
A1		REVISED PER ECO	05-015939		16FEB06	JG	SB	

- 1 DOUBLE BAR POLARIZATION SLOTS.
- 2 CENTER POLARIZATION SLOT.
- 3 FOR 10 POSN ASSEMBLY, SLOT OMITTED IN THIS LOCATION.
- 4 DATUMS U AND V TO BE ESTABLISHED BY THE CUSTOMER.
- 5 HOUSING: GLASS FILLED NYLON, UL 94V-0, COLOR: BLACK.
POSTS: PHOS BRONZE
- 6 POSTS: .000015 MIN GOLD ON MATING AREA, .0000100 MIN TIN ON SOLDER END, ALL OVER .000050 MIN NICKEL ON ENTIRE POST.
- 7 RIBS:
ALL POSITION SIZES-2 LOCATED AT ENDS OF HOUSING.
20 THRU 34 POSITION SIZES-1 ADDITIONAL RIB CENTERED ON HOUSING.
40 THRU 60 POSITION SIZES- 2 ADDITIONAL RIBS EVENLY SPACED WITHIN REMAINING LENGTH OF HOUSING.



1.500	1.100	11	24	1-5103308-3
3.300	2.900	29	60	1-5103308-2
2.800	2.400	24	50	1-5103308-0
2.300	1.900	19	40	5103308-8
2.000	1.600	16	34	5103308-7
1.600	1.200	12	26	5103308-6
1.300	.900	9	20	5103308-5
1.100	.700	7	16	5103308-3
1.000	.600	6	14	5103308-2
.800	.400	4	10	5103308-1
C	B	A	NO OF POSN	PART NUMBER

THIS DRAWING IS A CONTROLLED DOCUMENT.

DIMENSIONS: INCHES	TOLERANCES UNLESS OTHERWISE SPECIFIED:	0 PLC ± -	1 PLC ± -	2 PLC ± -	3 PLC ± .005	4 PLC ± -	ANGLES ± -	
MATERIAL		FINISH		WEIGHT	SIZE	CAGE CODE	DRAWING NO	RESTRICTED TO
5		6		-	A1	00779	5103308	-

CUSTOMER DRAWING SCALE 4:1 SHEET 1 OF 1 REV A1

THIS DRAWING IS A CONTROLLED DOCUMENT. DIN B LATTUCA 01 NOV 05
 CHK S BOLASH 01 NOV 05
 AP'D M WALMSLEY 01 NOV 05
 Tyco Electronics Corporation Harrisburg, PA 17105-3608
 NAME: HEADER ASSY, VERTICAL, LOW PROFILE, AMP-LATCH
 PRODUCT SPEC: 108-40018
 APPLICATION SPEC: -