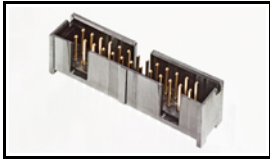


5103309-8 Product Details

[Share](#) [Print](#) [Email](#)




5103309-8

TE Internal Number: 5103309-8

 Active

[View 3D PDF](#)

AMP-LATCH Pin and Pinless Headers

 Always EU RoHS/ELV Compliant
(Statement of Compliance)

Product Highlights:

- Header
- Header Type = Pin Header
- AMP-LATCH Product Line
- Low Profile
- 40 Positions

[View all Features](#)

Quick Links

- ▶ [Pricing & Availability](#)
- ▶ [Search for Tooling](#)
- ▶ [View Mating Products \(5\)](#)
- ▶ [Product Feature Selector](#)
- ▶ [Contact Us About This Product](#)

[Add to My Part List](#)

[Request Sample](#)

[Find Similar Products](#)

[Buy Product](#)

Documentation & Additional Information

Product Drawings:

- [HEADER ASSY, VERTICAL, LOW PROFILE, AMP-LATCH](#) (PDF, English)

Catalog Pages/Data Sheets:

- [AMPMODU_INTERCONNECTION_SYSTEM_SECTIONS5](#) (PDF, English)
- [Ribbon Cable Interconnect Solutions](#) (PDF, English)

Product Specifications:

- [AMP-LATCH and IDC Header Connectors, .100 x .100 Inc...](#) (PDF, English)

Application Specifications:

- None Available

Instruction Sheets:

- None Available

CAD Files: (CAD Format & Compression Information)

- [2D Drawing](#) (DXF, Version B)
- [3D Model](#) (IGES, Version B)
- [3D Model](#) (STEP, Version B)

[List all Documents](#)

Additional Information:

- [Product Line Information](#)

Related Products:

- [Tooling](#)
- [Mating Products \(5\)](#)

Product Features (Please use the Product Drawing for all design activity)

Product Type Features:

- Connector Type = Header
- Product Line = AMP-LATCH
- Profile = Low
- PCB Mounting Orientation = Vertical
- PCB Mount Retention = Without
- Mating Connector Lock = Without
- Ejection Latches = Without
- Post Size (mm [in]) = 0.64 [0.025]

Electrical Characteristics:

- Current Rating (A) = 1
- Insulation Resistance (MΩ) = 5,000

Termination Features:

- Termination Post Length (mm [in]) = 3.05 [0.120]

Housing Features:

- Centerline, Matrix (mm [in]) = 2.54 x 2.54 [.100 x .100]
- Mating Alignment Type = Center, Dual Polarizing Bar
- Housing Style = 4-Sided
- Mating Alignment = With
- Housing Material = Thermoplastic - GF
- UL Flammability Rating = UL 94V-0
- Housing Color = Black

Configuration Features:

- Number of Positions = 40
- Shrouded = Yes

Industry Standards:

- RoHS/ELV Compliance = RoHS compliant, ELV

<p>Dimensions:</p> <ul style="list-style-type: none"> [Shrouded] End Dimension (mm [in]) = 3.81 [0.150] <p>Body Features:</p> <ul style="list-style-type: none"> Header Type = Pin Header Daisy Chain = With <p>Contact Features:</p> <ul style="list-style-type: none"> Contact Plating, Mating Area, Material = Gold (30), Gold Flash over Palladium Nickel Contact Shape = Square Contact Base Material = Copper Alloy Solder Tail Contact Plating = Tin over Nickel 	<p>compliant</p> <ul style="list-style-type: none"> Lead Free Solder Processes = Wave solder capable to 240°C, Wave solder capable to 260°C, Wave solder capable to 265°C RoHS/ELV Compliance History = Always was RoHS compliant Approved Standards = UL E28476, CSA LR7189 <p>Environmental:</p> <ul style="list-style-type: none"> Operating Temperature (°C) = -65 - +105 <p>Conditions for Usage:</p> <ul style="list-style-type: none"> Temperature Rating = Standard <p>Other:</p> <ul style="list-style-type: none"> Brand = AMP
---	---

Corporate Information

- [About TE](#)
- [Investors](#)
- [News Room](#)
- [Supplier Portal](#)
- [Careers](#)
- [Terms & Conditions](#)
- [Privacy Policy](#)

Quick Links

- [Distributor Inventory](#)
- [Product Cross Reference](#)
- [Documents & Drawings](#)
- [Product Compliance Support Center](#)
- [Site Map](#)

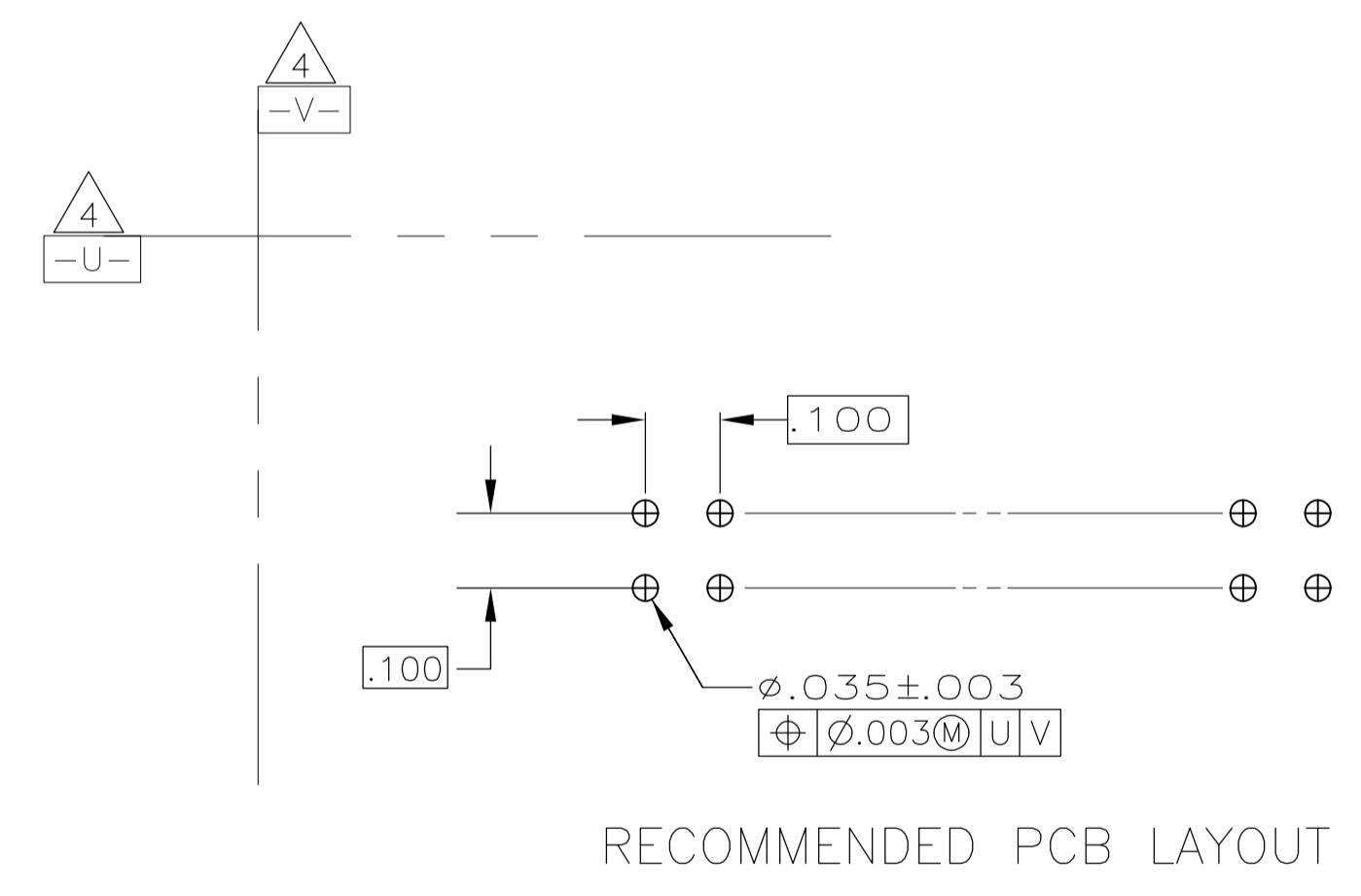
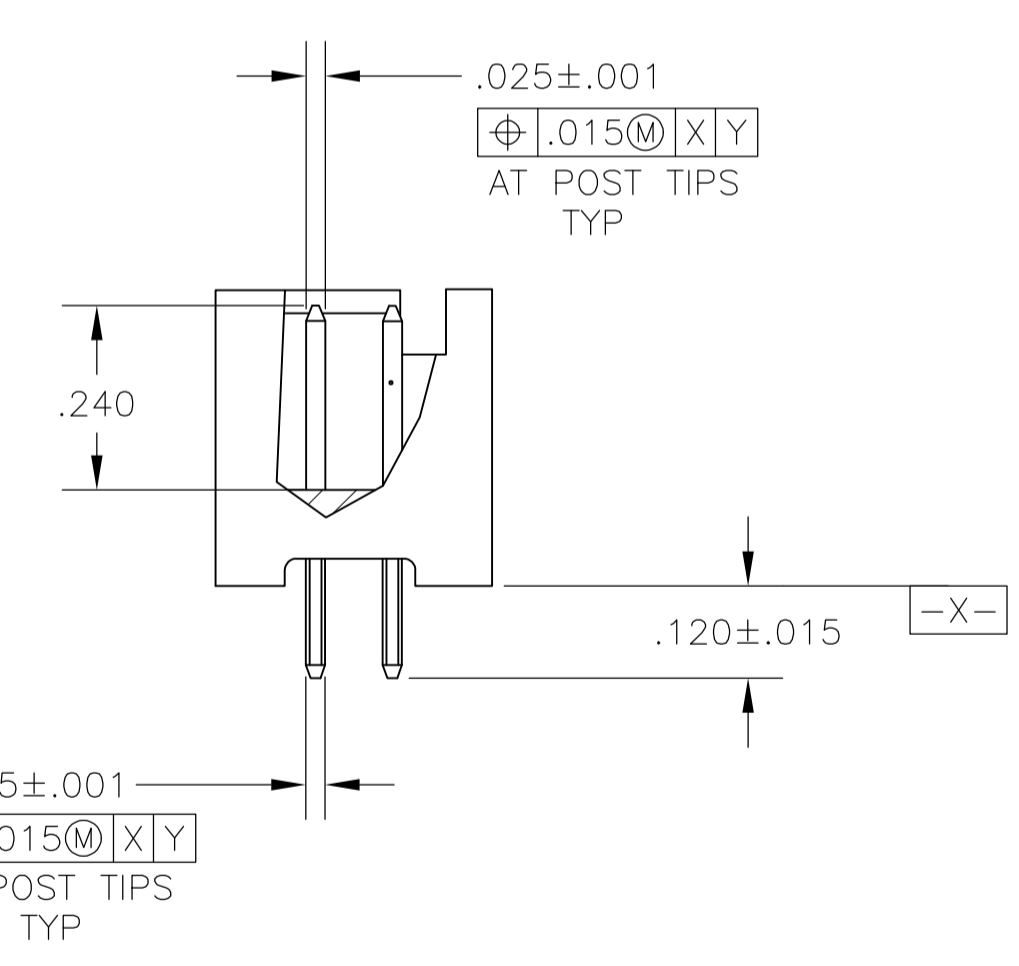
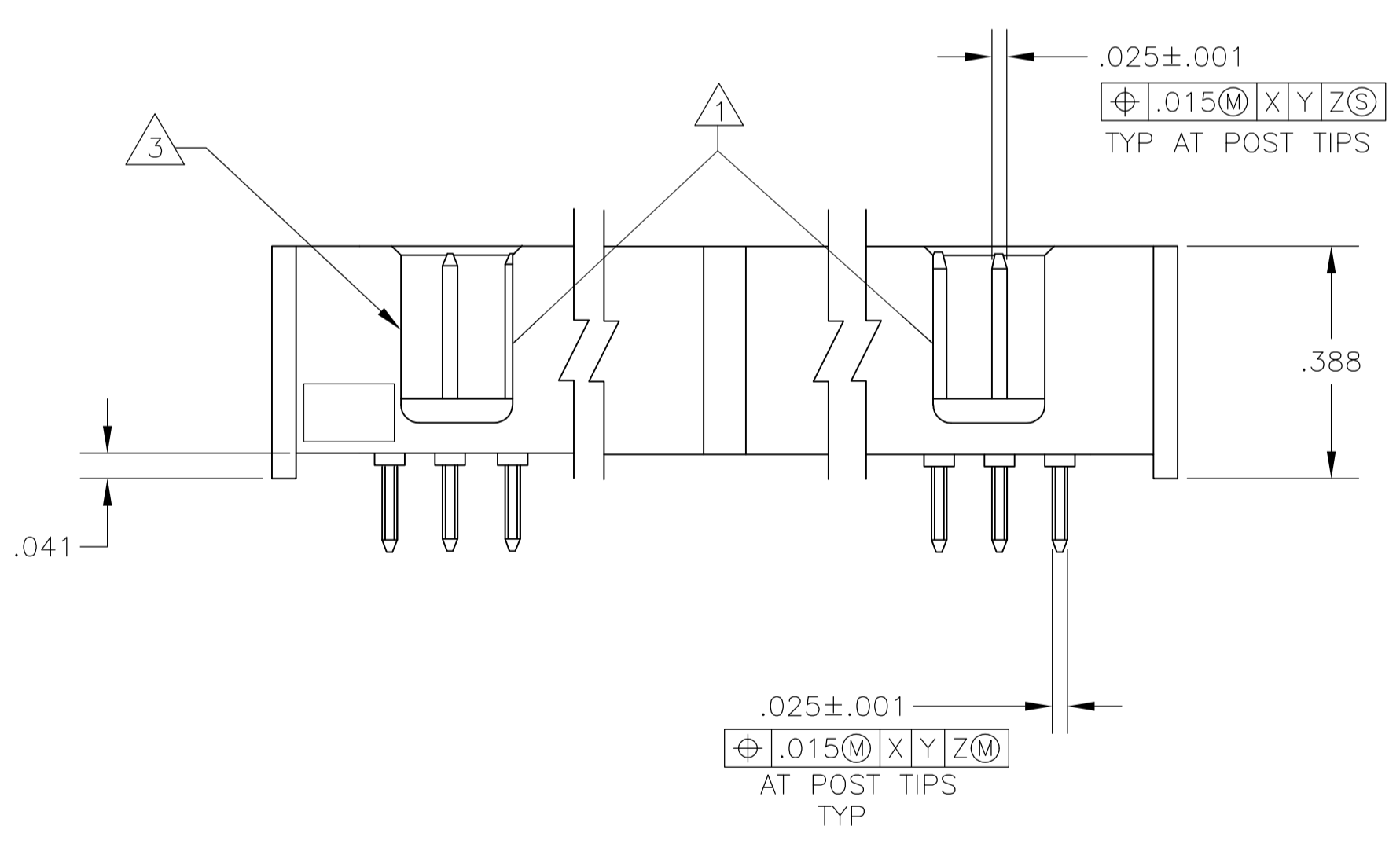
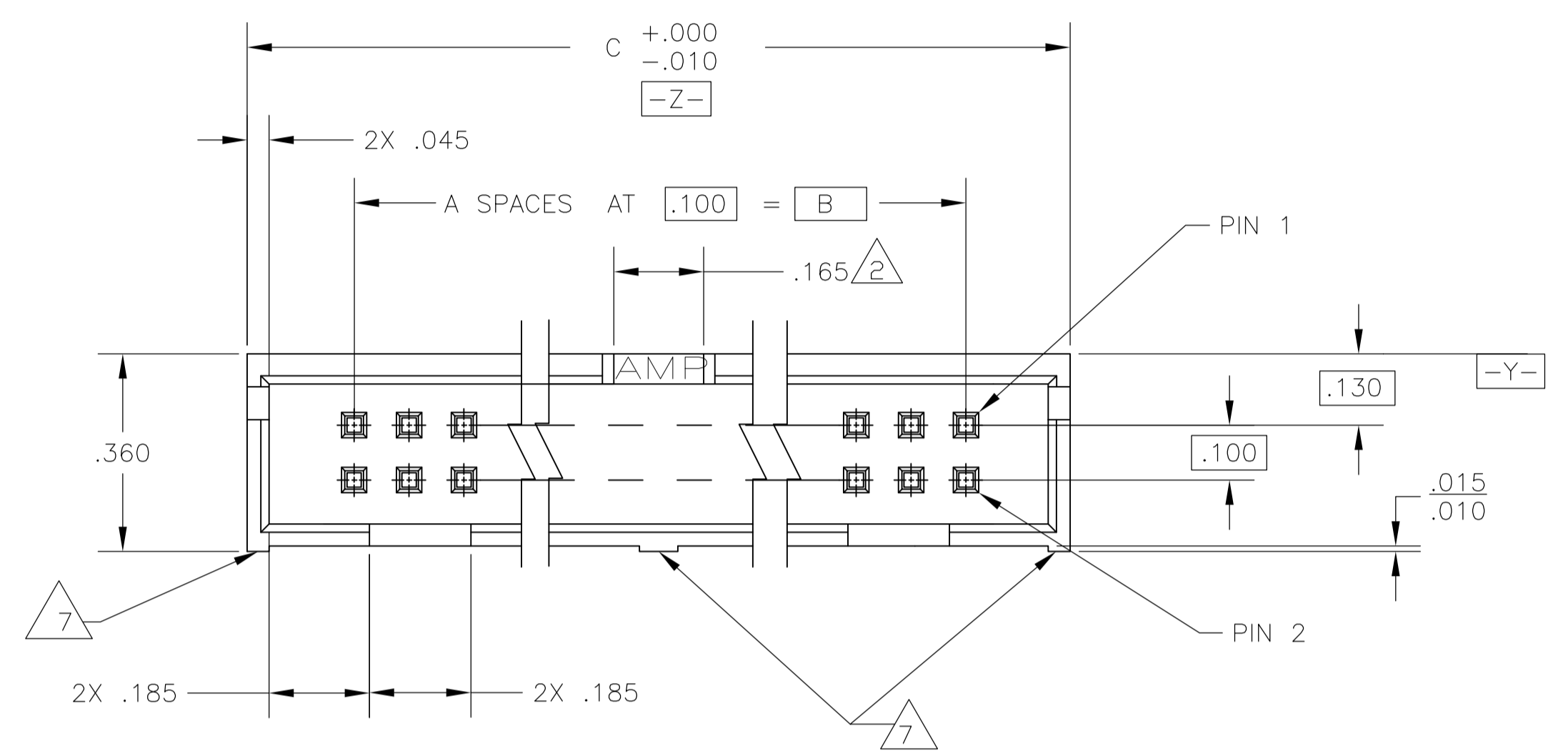
Customer Support

- [Email or Chat With Us](#)
- [Find a Phone Number](#)
- [Knowledge Base](#)
- [Manage Your Account](#)

Keep Me Informed



- 1 DOUBLE BAR POLARIZATION SLOTS.
- 2 CENTER POLARIZATION SLOT.
- 3 FOR 10 POSN ASSEMBLY, SLOT OMITTED IN THIS LOCATION.
- 4 DATUMS U AND V TO BE ESTABLISHED BY THE CUSTOMER.
- 5 HOUSING: GLASS FILLED NYLON OR PBT, BLACK, UL 94V-0 RATED. POSTS: BRASS.
- 6 POSTS: GOLD FLASH OVER PALLADIUM-NICKEL PLATE, .000030 MIN TOTAL ON THE MATING SURFACES, .000100 MIN TIN PLATE ON THE SOLDER-TAILS, .000050 MIN NICKEL UNDERPLATE ON THE ENTIRE POST.
-OR-
.000030 MIN GOLD PLATE ON THE MATING SURFACES, .000100 MIN TIN PLATE ON THE SOLDER-TAILS, .000050 MIN NICKEL UNDERPLATE ON THE ENTIRE POST.
- 7 RIBS:
ALL POSITION SIZES: 2 LOCATED AT ENDS OF HOUSING.
20 THRU 34 POSITION SIZES: 1 ADDITIONAL RIB CENTERED ON HOUSING.
40 THRU 50 POSITION SIZES: 2 ADDITIONAL RIBS EVENLY SPACED WITHIN REMAINING LENGTH OF HOUSING.



2.800	2.400	24	50	1-5103309-0
2.300	1.900	19	40	5103309-8
2.000	1.600	16	34	5103309-7
1.600	1.200	12	26	5103309-6
1.300	.900	9	20	5103309-5
1.100	.700	7	16	5103309-3
1.000	.600	6	14	5103309-2
.800	.400	4	10	5103309-1
C	B	A	NO OF POSN	PART NUMBER

THIS DRAWING IS A CONTROLLED DOCUMENT.

DIMENSIONS: INCHES	TOLERANCES UNLESS OTHERWISE SPECIFIED:	0. PLC ± -	1. PLC ± -	2. PLC ± -	3. PLC ± .005	4. PLC ± -	ANGLES ± -
MATERIAL		FINISH		WEIGHT		SIZE	
5		6		A1 00779		C=5103309	

APPROVED: M. WALMSLEY, DATE: 01 NOV 05, NAME: M. WALMSLEY

DESIGNED: S. BOLASH, DATE: 01 NOV 05

DATE: 01 NOV 05

TE Connectivity

NAME: HEADER ASSY, VERTICAL, LOW PROFILE, AMP-LATCH

PRODUCT SPEC: 108-40018

APPLICATION SPEC: -

SCALE: 4:1, SHEET: 1 OF 1, REV: E1