

Distributed by:

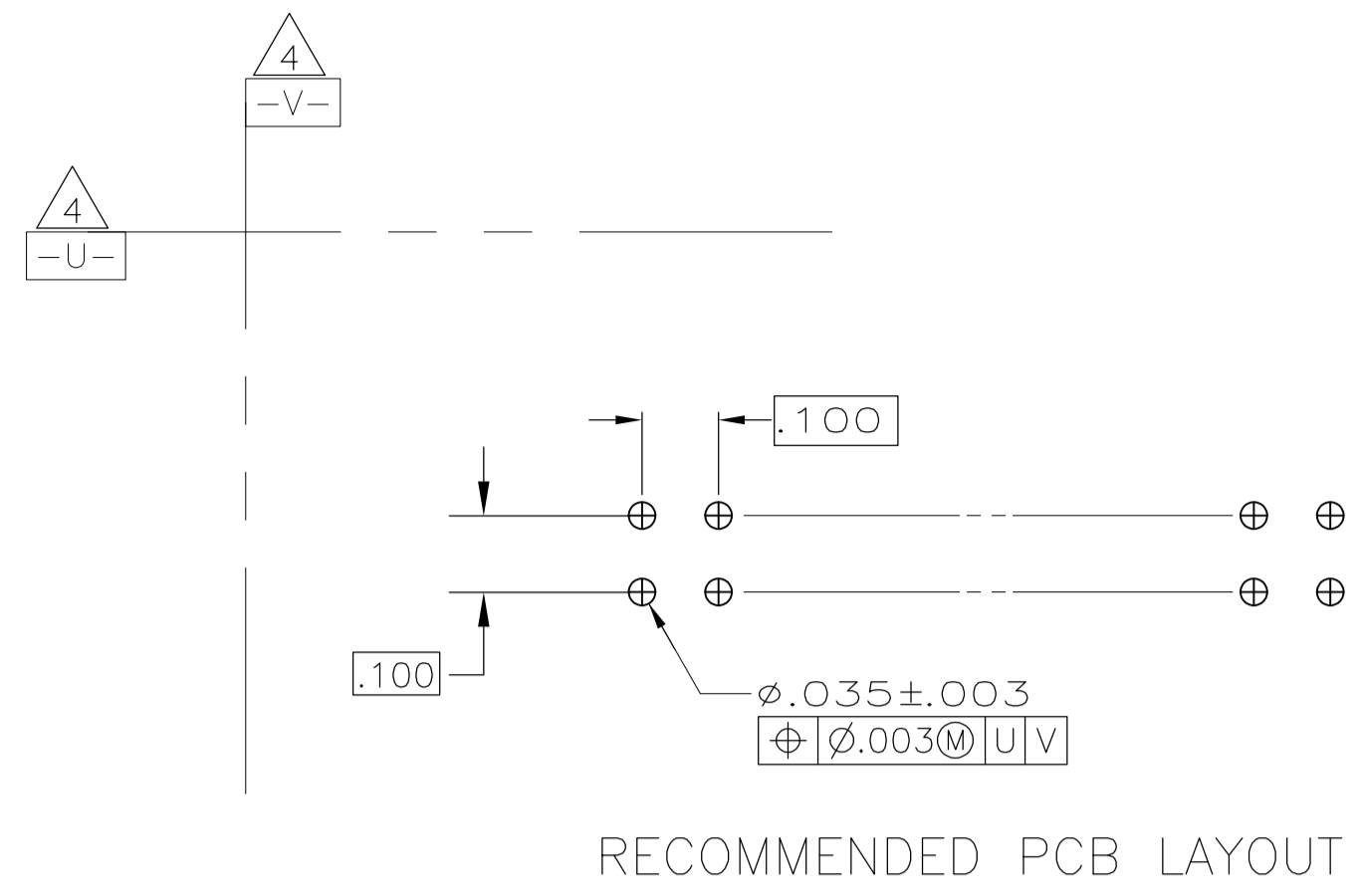
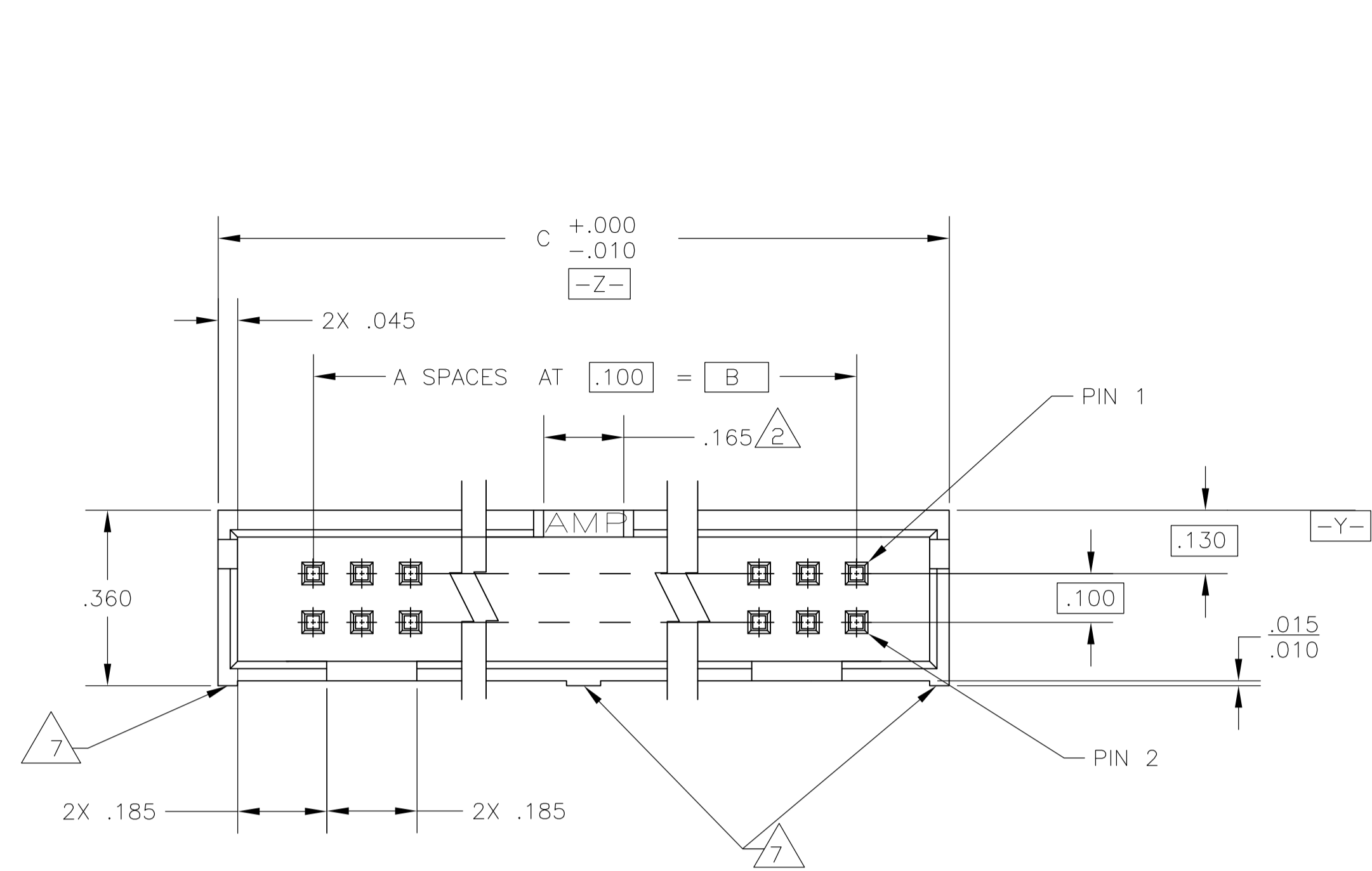
JAMECO[®]
ELECTRONICS

www.Jameco.com ♦ 1-800-831-4242

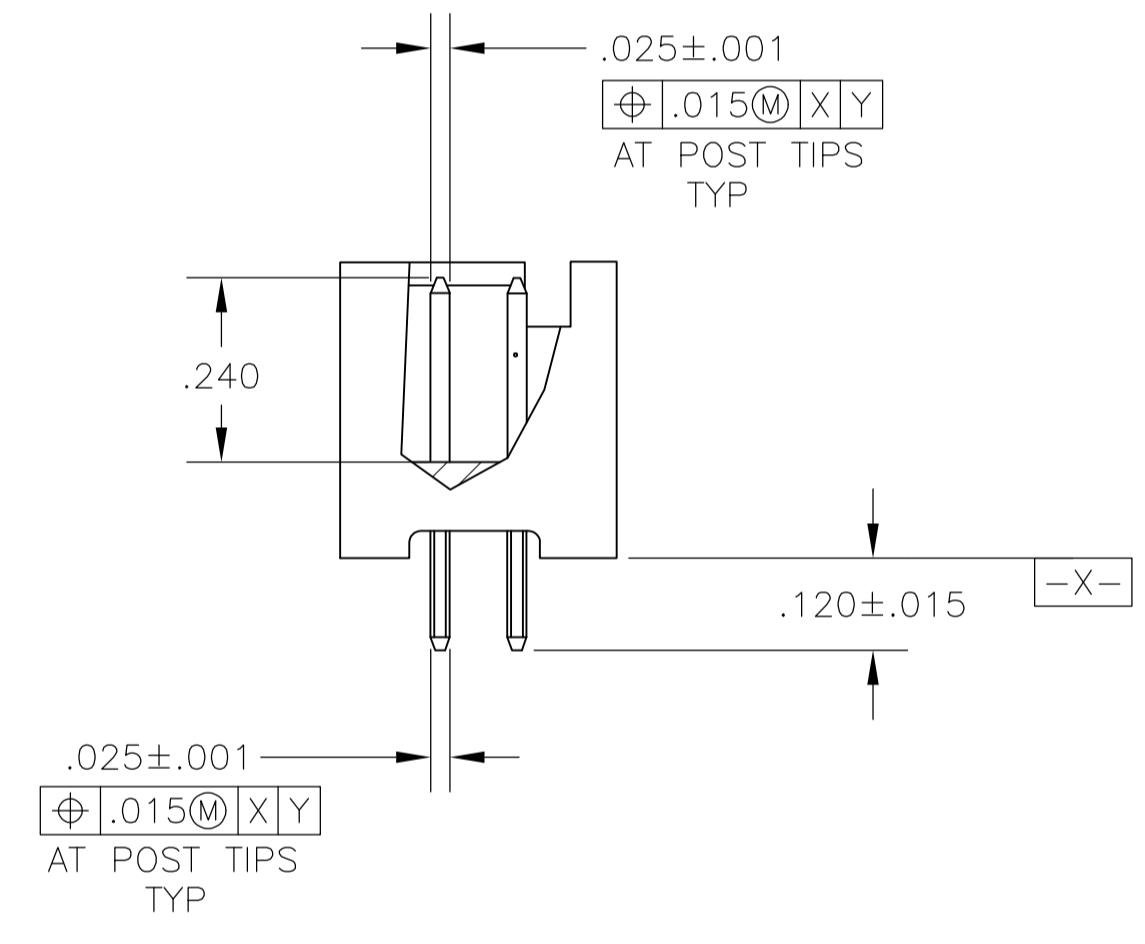
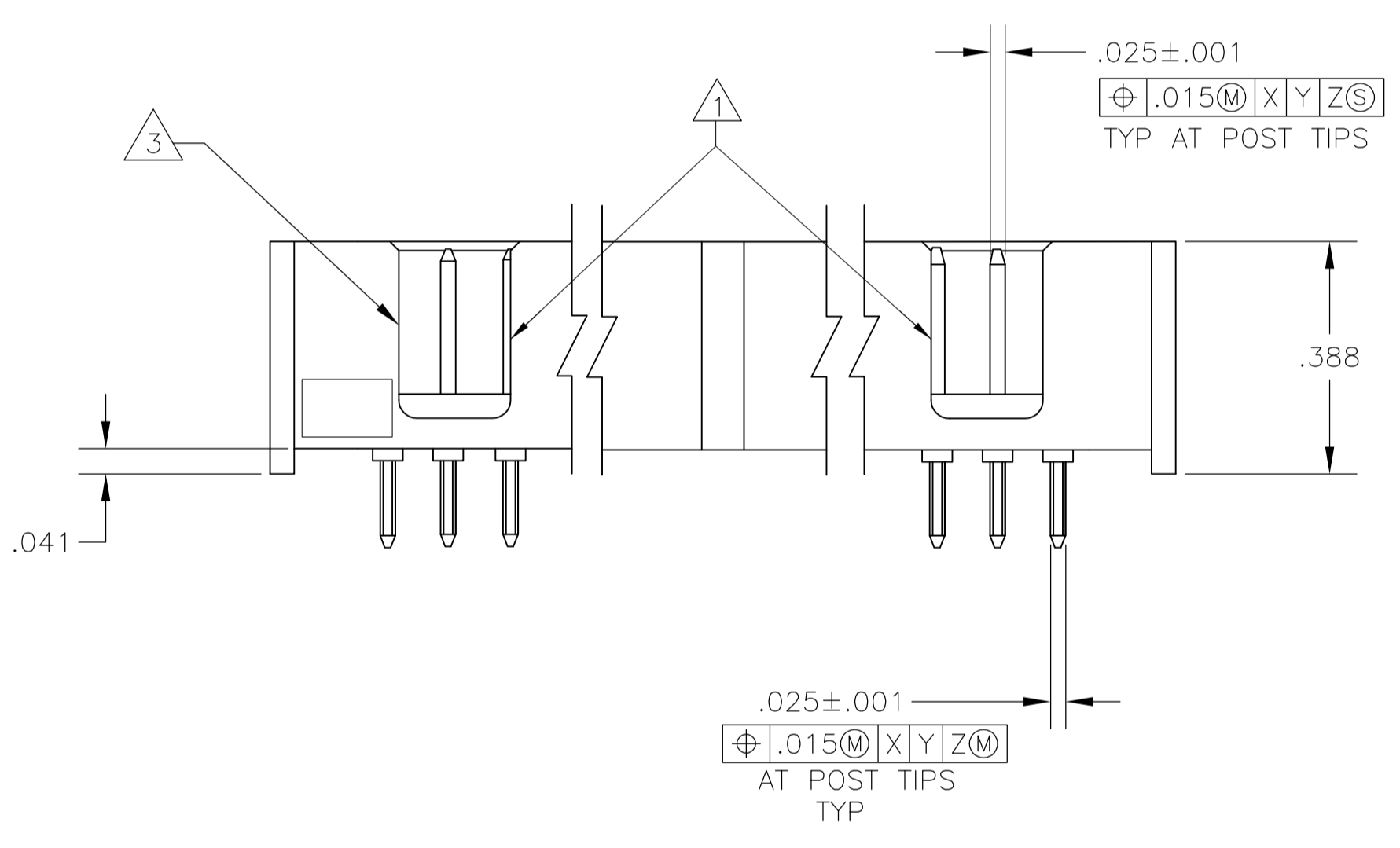
The content and copyrights of the attached
material are the property of its owner.

Jameco Part Number 1932205

LOC		DIST		REVISIONS				
GP	00	F	LTR	DESCRIPTION	DATE	DMN	APVD	
C				REVISED PER ECO-08-004040	27FEB08	JDP	SLB	



- 1 DOUBLE BAR POLARIZATION SLOTS.
- 2 CENTER POLARIZATION SLOT.
- 3 FOR 10 POSN ASSEMBLY, SLOT OMITTED IN THIS LOCATION.
- 4 DATUMS U AND V TO BE ESTABLISHED BY THE CUSTOMER.
- 5 HOUSING: GLASS FILLED NYLON, UL 94V-0, COLOR: BLACK
POSTS: PHOS BRONZE
- 6 POSTS: GOLD FLASH OVER PALLADIUM-NICKEL PLATE, .000030 MIN TOTAL ON THE MATING SURFACES, .000100 MIN TIN PLATE ON THE SOLDER-TAILS, .000050 MIN NICKEL UNDERPLATE ON THE ENTIRE POST.
-OR-
.000030 MIN GOLD PLATE ON THE MATING SURFACES, .000100 MIN TIN PLATE ON THE SOLDER-TAILS, .000050 MIN NICKEL UNDERPLATE ON THE ENTIRE POST.
- 7 RIBS:
ALL POSITION SIZES: 2 LOCATED AT ENDS OF HOUSING.
20 THRU 34 POSITION SIZES: 1 ADDITIONAL RIB CENTERED ON HOUSING.
40 THRU 50 POSITIONS SIZES: 2 ADDITIONAL RIBS EVENLY SPACED WITHIN REMAINING LENGTH OF HOUSING.



2.800	2.400	24	50	1-5103309-0
2.300	1.900	19	40	5103309-8
2.000	1.600	16	34	5103309-7
1.600	1.200	12	26	5103309-6
1.300	.900	9	20	5103309-5
1.100	.700	7	16	5103309-3
1.000	.600	6	14	5103309-2
.800	.400	4	10	5103309-1
C	B	A	NO OF POSN	PART NUMBER

THIS DRAWING IS A CONTROLLED DOCUMENT.

DIMENSIONS: INCHES	TOLERANCES UNLESS OTHERWISE SPECIFIED:	0 PLC ± -	1 PLC ± -	2 PLC ± -	3 PLC ± .005	4 PLC ± -	ANGLES ± -
THIS DRAWING IS A CONTROLLED DOCUMENT. DIM: B. LATTUCA 01 NOV 05 CHK: S. BOLASH 01 NOV 05 APVD: M. WALMSLEY 01 NOV 05 NAME: M. WALMSLEY PRODUCT SPEC: 108-40018 APPLICATION SPEC:		Tyco Electronics Corporation Harrisburg, PA 17105-3608 HEADER ASSY, VERTICAL, LOW PROFILE, AMP-LATCH SIZE: A1 CAGE CODE: 00779 DRAWING NO: 5103309 RESTRICTED TO:					
MATERIAL: 5	FINISH: 6	WEIGHT: -		SCALE: 4:1		SHEET 1 OF 1	
CUSTOMER DRAWING						REV C	