



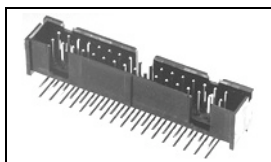
Have a Question?
 Chat with a Product
 Information Specialist

What can we help you find?

[Products](#) [Industries](#) [Resources](#) [About TE](#) [My Account](#) [Innovation](#) [Support Center](#)

5103310-3 Product Details

[Share](#) [Print](#) [Email](#)



5103310-3

TE Internal Number: 5103310-3

Active

[View 3D PDF](#)

AMP-LATCH Pin and Pinless Headers

Always EU RoHS/ELV Compliant (Statement of Compliance)

Product Highlights:

- Header
- Header Type = Pin Header
- AMP-LATCH Product Line
- Low Profile
- 16 Positions

[View all Features](#)

Quick Links

- ▶ [Pricing & Availability](#)
- ▶ [Search for Tooling](#)
- ▶ [View Mating Products \(5\)](#)
- ▶ [Product Feature Selector](#)
- ▶ [Contact Us About This Product](#)

[Add to My Part List](#) [Request Sample](#) [Find Similar Products](#) [Buy Product](#)

Documentation & Additional Information

Product Drawings:

- [HEADER ASSY, RIGHT ANGLE, LOW PROFILE, AMP-LATCH \(PDF, English\)](#)

Catalog Pages/Data Sheets:

- [AMPMODU_INTERCONNECTION_SYSTEM_SECTIONS \(PDF, English\)](#)
- [7-1773458-6_AMPLATCH_QRG \(PDF, English\)](#)
- [Ribbon Cable Interconnect Solutions \(PDF, English\)](#)

Product Specifications:

- [AMP-LATCH and IDC Header Connectors, .100 x .100 Inc... \(PDF, English\)](#)

Application Specifications:

- None Available

Instruction Sheets:

- None Available

CAD Files: [\(CAD Format & Compression Information\)](#)

- [2D Drawing \(DXF, Version B\)](#)
- [3D Model \(IGES, Version B\)](#)
- [3D Model \(STEP, Version B\)](#)

[List all Documents](#)

Additional Information:

- [Product Line Information](#)

Related Products:

- [Tooling](#)
- [Mating Products \(5\)](#)

Product Features (Please use the Product Drawing for all design activity)

Product Type Features:

- Connector Type = Header
- Product Line = AMP-LATCH
- Profile = Low
- PCB Mounting Orientation = Right Angle
- PCB Mount Retention = Without
- Mating Connector Lock = Without
- Ejection Latches = Without
- Post Size (mm [in]) = 0.64 [.025]
- Shrouded = Yes

Electrical Characteristics:

- Current Rating (A) = 1
- Insulation Resistance (MΩ) = 5,000

Termination Features:

- Termination Post Length (mm [in]) = 3.43 [0.135]
- Solder Tail Contact Plating = Tin over Nickel

Dimensions:

- [Shrouded] End Dimension (mm [in]) = 3.81 [0.150]

Body Features:

- Header Type = Pin Header
- Daisy Chain = With

Contact Features:

- [Contact Plating, Mating Area, Material](#) = Gold (15), Gold Flash over Palladium Nickel
- Contact Shape = Square
- Contact Base Material = Copper Alloy

Housing Features:

- Centerline, Matrix (mm [in]) = 2.54 x 2.54 [.100 x .100]
- Mating Alignment Type = Center, Dual Polarizing Bar
- Housing Style = 4-Sided
- Mating Alignment = With
- Housing Material = Thermoplastic - GF
- UL Flammability Rating = UL 94V-0
- Housing Color = Black

Configuration Features:

- Number of Positions = 16

Industry Standards:

- [RoHS/ELV Compliance](#) = RoHS compliant, ELV compliant
- [Lead Free Solder Processes](#) = Wave solder capable to 240°C, Wave solder capable to 260°C, Wave solder capable to 265°C
- [RoHS/ELV Compliance History](#) = Always was RoHS compliant
- [Approved Standards](#) = UL E28476, CSA LR7189

Environmental:

- Operating Temperature (°C) = -65 - +105

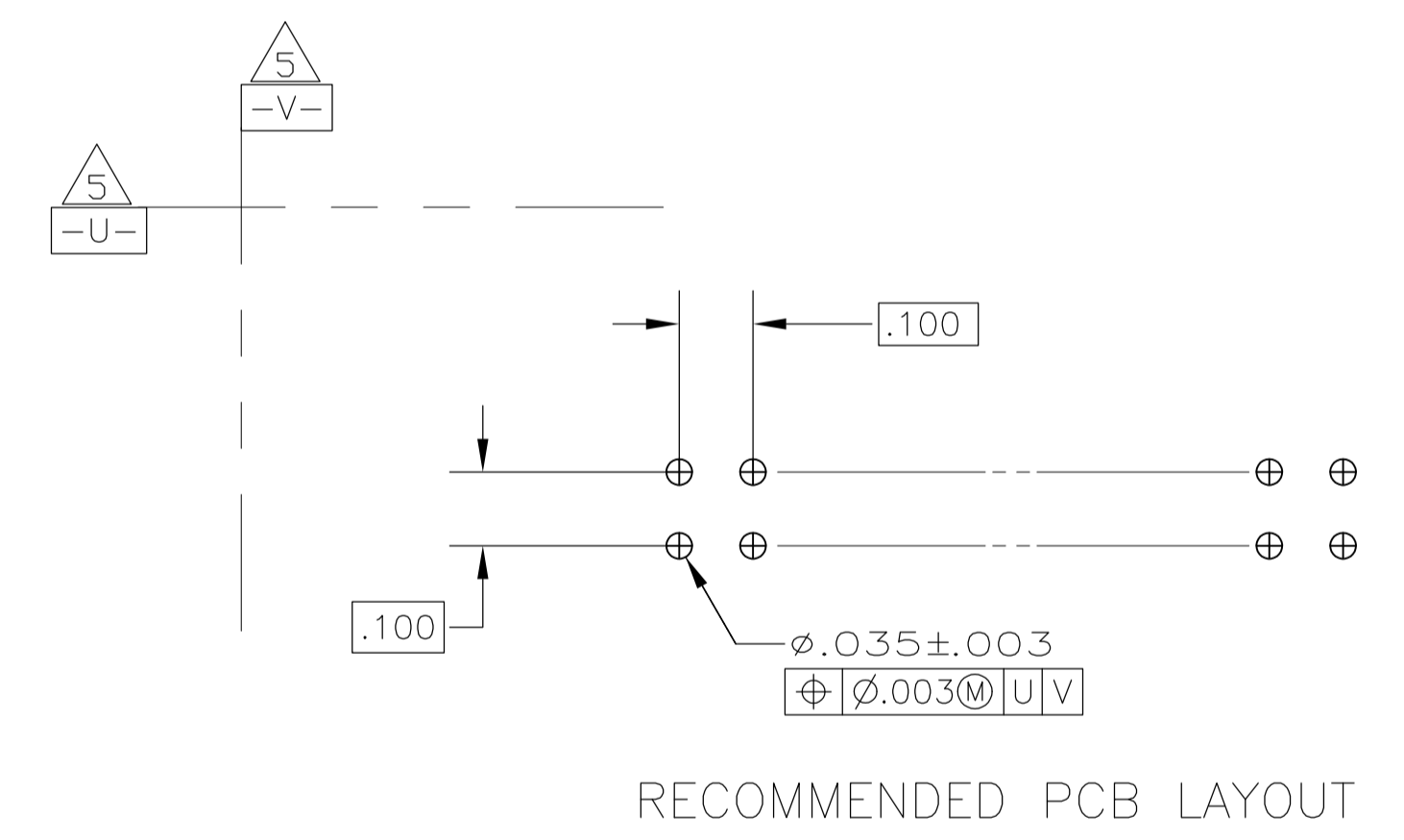
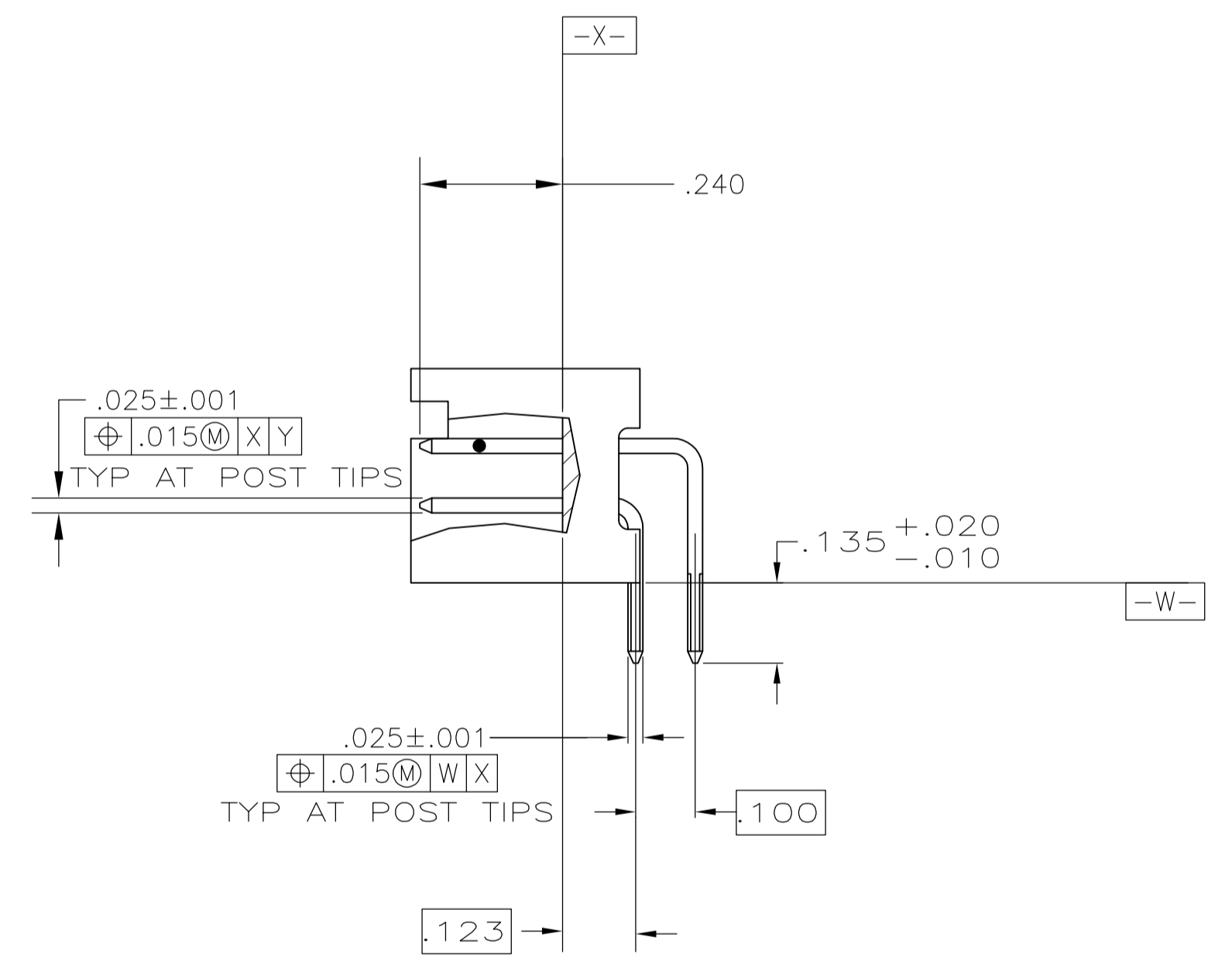
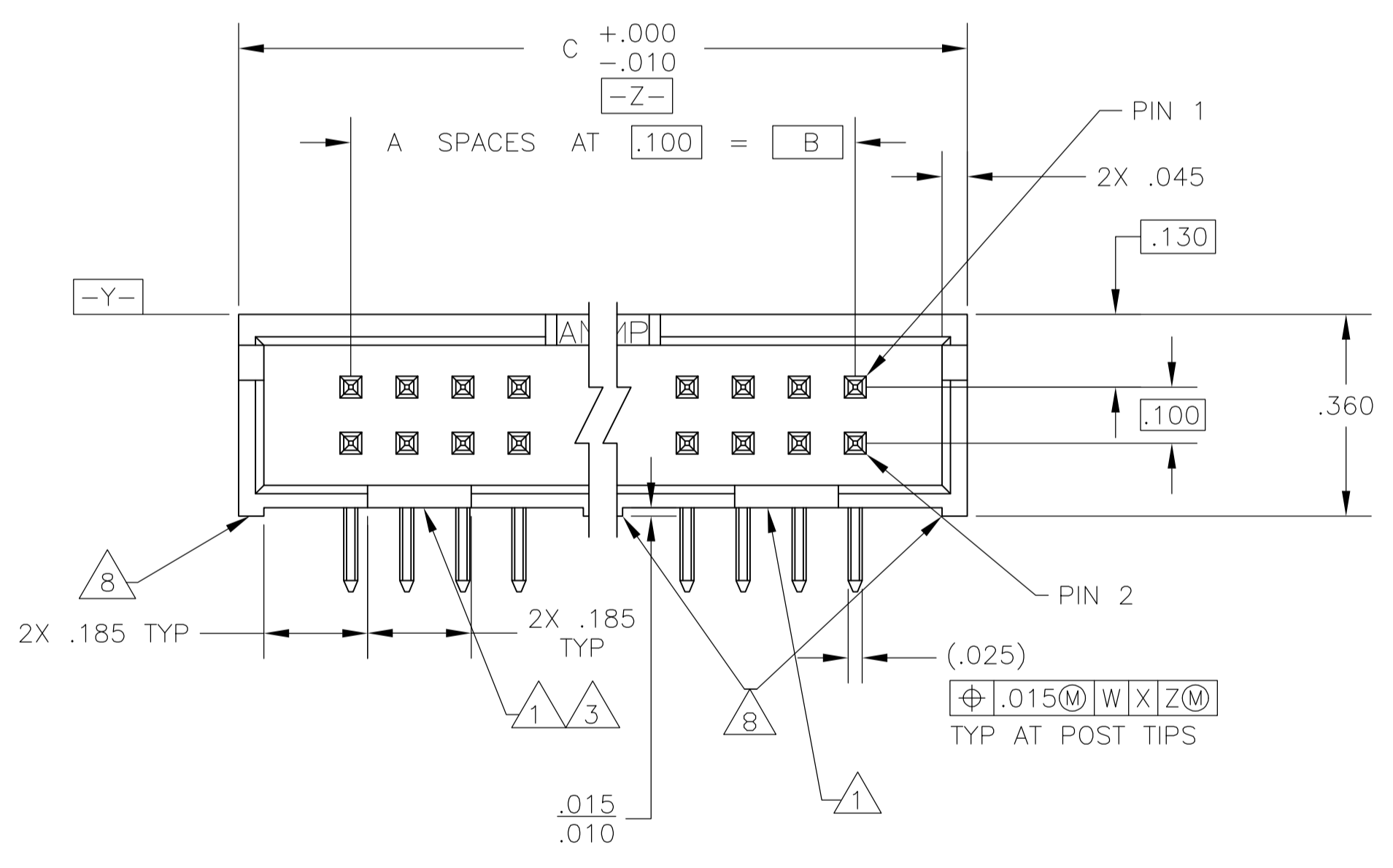
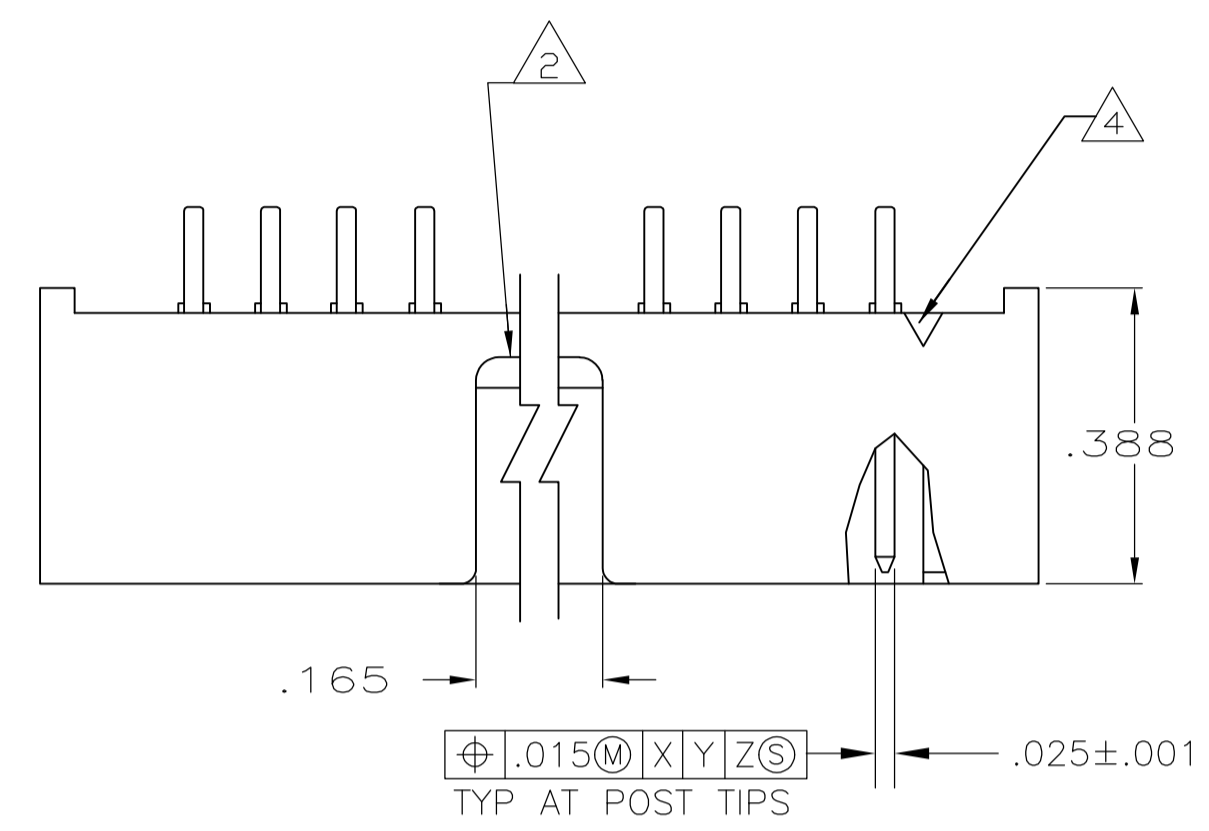
Conditions for Usage:

- [Temperature Rating](#) = Standard

Other:

- Brand = AMP

- 1 DOUBLE BAR POLARIZATION SLOTS.
- 2 CENTER POLARIZATION SLOT.
- 3 FOR 10 POSN ASSEMBLY, SLOT OMITTED IN THIS LOCATION.
- 4 NUMBER 1 POSITION INDICATOR.
- 5 DATUMS -U- AND -V- TO BE ESTABLISHED BY CUSTOMER.
- 6 HOUSING: GLASS FILLED NYLON OR PBT, BLACK, UL 94V-0 RATED. POSTS: BRASS.
- 7 POSTS: GOLD FLASH OVER PALLADIUM-NICKEL PLATE, .000015 MIN TOTAL ON THE MATING SURFACES, .000100 MIN TIN PLATE ON THE SOLDER-TAILS, .000050 MIN NICKEL UNDERPLATE ON THE ENTIRE POST. -OR- .000015 MIN GOLD PLATE ON THE MATING SURFACES, .000100 MIN TIN PLATE ON THE SOLDER-TAILS, .000050 MIN NICKEL UNDERPLATE ON THE ENTIRE POST.
- 8 STANDOFFS: ALL POSITION SIZES-2 LOCATED AT ENDS OF HOUSING. 20 THRU 34 POSITION SIZES-1 ADDITIONAL STANDOFF CENTERED ON HOUSING. 40 THRU 50 POSITION SIZES- 2 ADDITIONAL STANDOFFS EVENLY SPACED WITHIN REMAINING LENGTH OF HOUSING.



2.800	2.400	24	50	1-5103310-0
2.300	1.900	19	40	5103310-8
2.000	1.600	16	34	5103310-7
1.600	1.200	12	26	5103310-6
1.300	.900	9	20	5103310-5
1.100	.700	7	16	5103310-3
1.000	.600	6	14	5103310-2
.800	.400	4	10	5103310-1
C	B	A	NO OF POSN	PART NUMBER

THIS DRAWING IS A CONTROLLED DOCUMENT

DIN	B. LATTUCA	02 NOV 05
CHK	S. BOLASH	02 NOV 05
APPD	M. WALMSLEY	02 NOV 05

TE Connectivity

NAME: HEADER ASSY, RIGHT ANGLE, LOW PROFILE, AMP-LATCH

PRODUCT SPEC: 108-40018

APPLICATION SPEC: -

SIZE: A1

WEIGHT: -

CAGE CODE: 00779

DRAWING NO: 5103310

RESTRICTED TO: -

CUSTOMER DRAWING

SCALE: 4:1

SHEET: 1 OF 1

REV: E