

Distributed by:

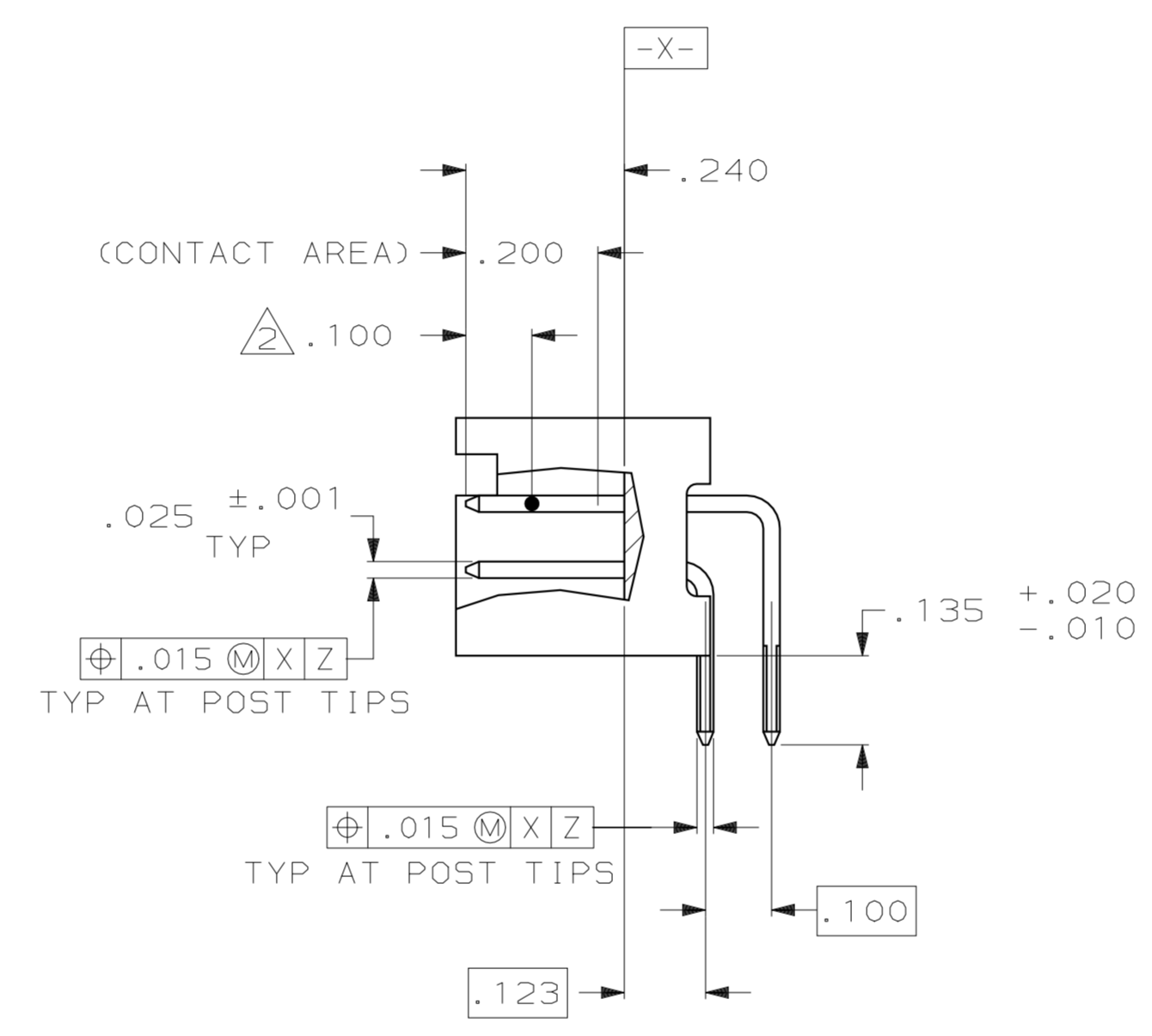
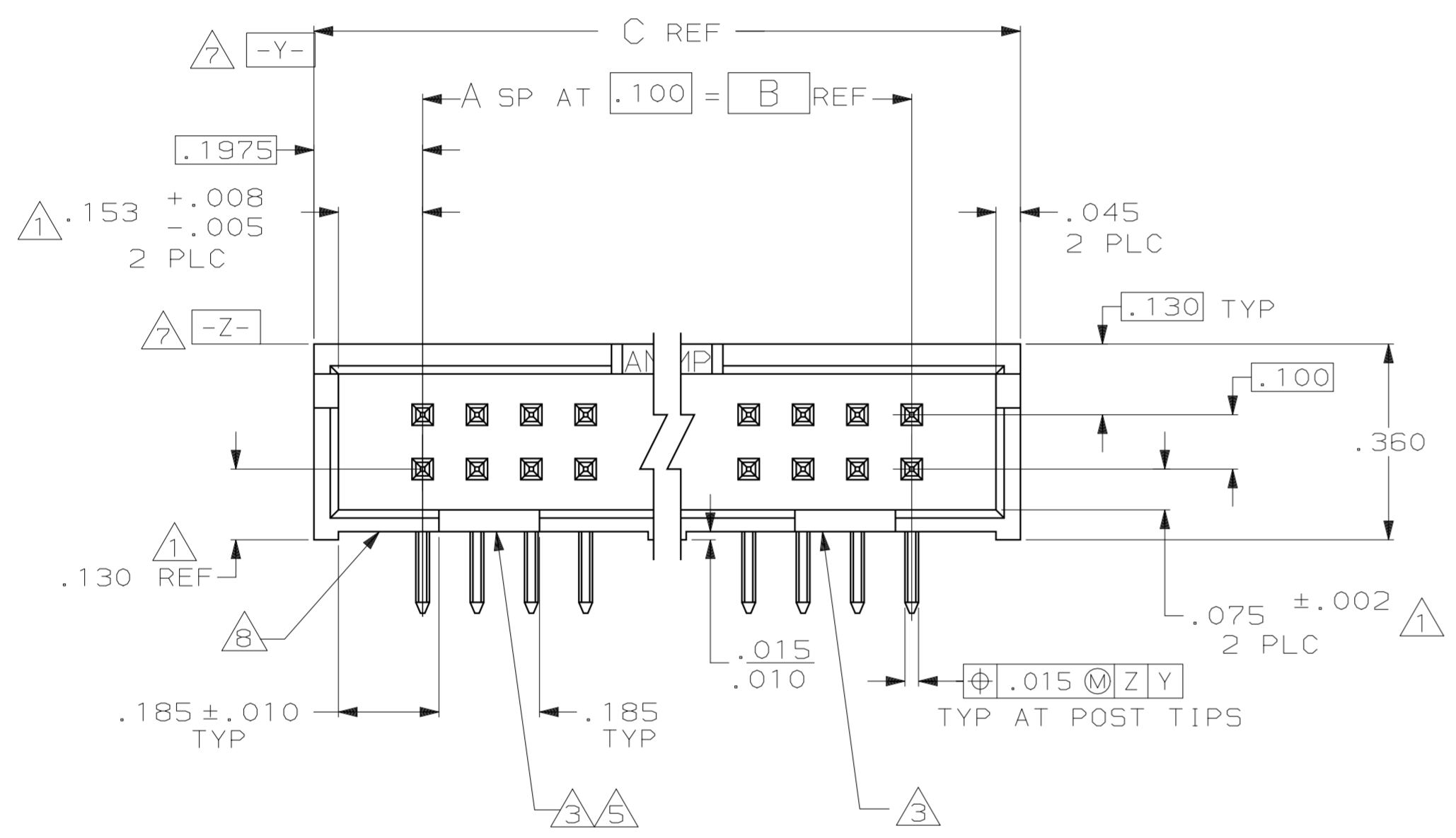
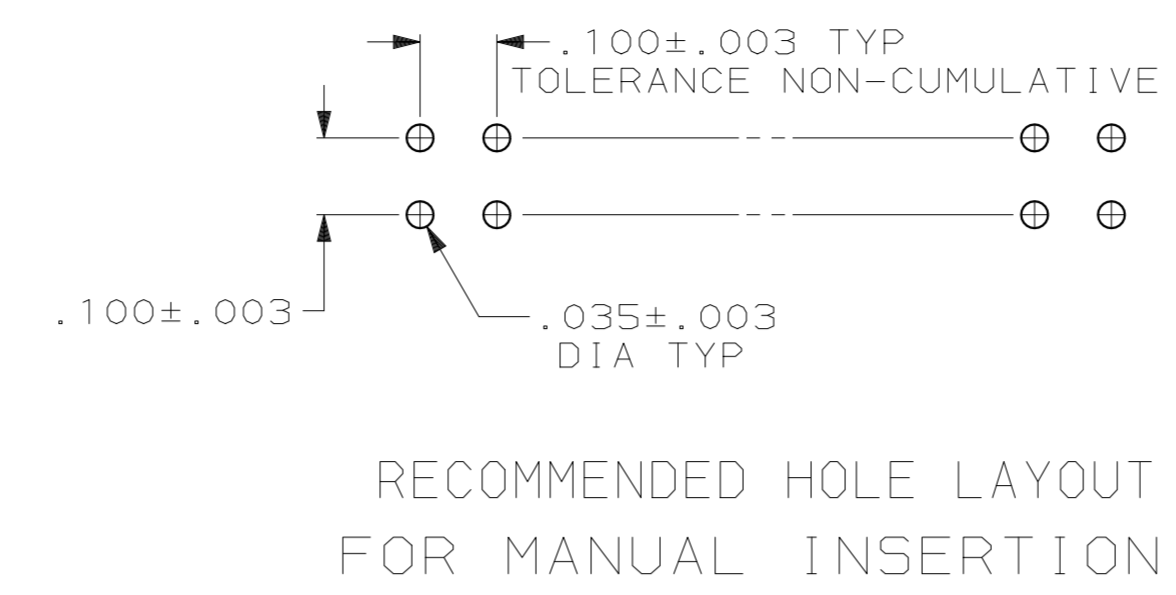
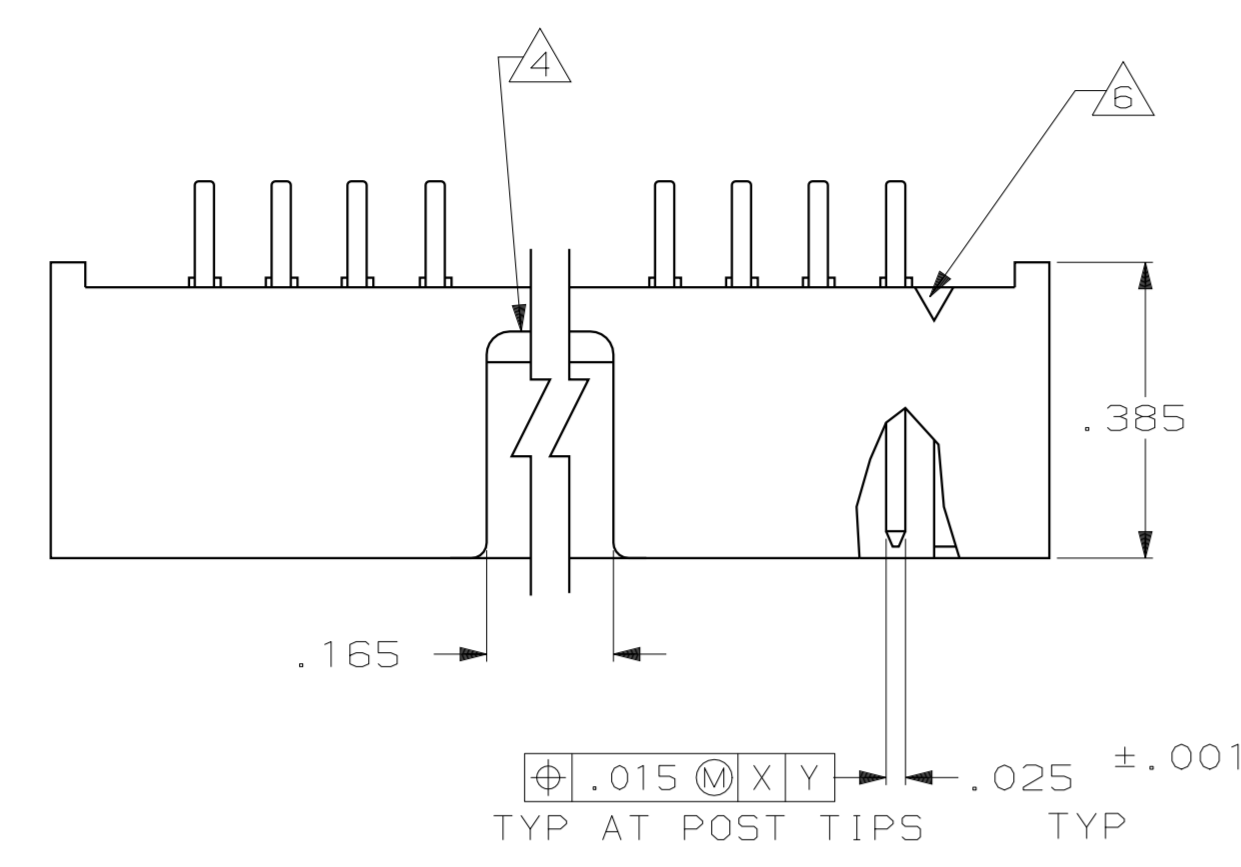
**JAMECO**<sup>®</sup>  
ELECTRONICS

**www.Jameco.com ♦ 1-800-831-4242**

The content and copyrights of the attached  
material are the property of its owner.

Jameco Part Number 737774

LOC		DIST		P		F		ZONE		LTR		REVISIONS		DATE	APPD
GP		00										DESCRIPTION			
												J	REV PER EC 0513-0347-05	20MAR06	SB



OBSOLETE	3.300	2.900	29	60	1-103310-2
OBSOLETE	3.100	2.700	27	56	1-103310-1
	2.800	2.400	24	50	1-103310-0
OBSOLETE	2.500	2.100	21	44	103310-9
	2.300	1.900	19	40	103310-8
	2.000	1.600	16	34	103310-7
	1.600	1.200	12	26	103310-6
	1.300	.900	9	20	103310-5
OBSOLETE	1.200	.800	8	18	103310-4
	1.100	.700	7	16	103310-3
	1.000	.600	6	14	103310-2
	.800	.400	4	10	103310-1
	C	B	A	NO OF POSN	ASSEMBLY PART NUMBER

- ① THE NOTED DIMENSIONS APPLY AT THE INTERSECTION OF THE POST AND HOUSING
- ② POINT OF MEASUREMENT FOR PLATING THICKNESS
- ③ DOUBLE BAR POLARIZATION
- ④ CENTER POLARIZATION SLOT
- ⑤ FOR 10 POSN ASSEMBLY, SLOT OMITTED WHERE INDICATED
- ⑥ NUMBER 1 POSITION INDICATOR.
- ⑦ DATUMS  $\overline{-Y-}$  AND  $\overline{-Z-}$  APPLY AT THE BASE OF THE SHROUD WALL.
- ⑧ OPTIONAL AMP IDENTIFICATION NUMBER (DATE CODE). LOCATION APPROXIMATELY WHERE SHOWN.

UNLESS OTHERWISE SPECIFIED DIMENSIONS ARE IN INCHES TOLERANCES ON:	DR 8-27-87 H MOLL	AMP INCORPORATED Harrisburg, Pa. 17105
2 PL DEC ±-. 3 PL DEC ±.005 ANGLES ±-	CHK 9-4-87 L A MAYER	
MATERIAL: HOUSING: GLASS FILLED NYLON, FLAME RETARDANT, BLACK POSTS: PHOS BRONZE	APPD 9-4-87 R FEIDT	NAME HEADER ASSY, LOW PROFILE, AMP-LATCH
FINISH: POSTS: .000015 GOLD IN CONTACT AREA, .000100-.000200 TIN-LEAD ON SOLDER TAIL, ALL OVER .000050 NICKEL	APPD 9-4-87 R ELICKER	SIZE <b>D</b> FSCM NO 00779 DRAWING NO 103310
	APPLICATION SPEC - WEIGHT -	SCALE 4:1 SHEET 1 OF 1