



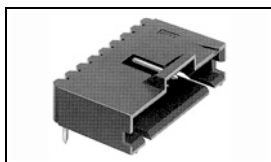
Have a Question?
 Chat with a Product
 Information Specialist

What can we help you find?

[Products](#) |
 [Industries](#) |
 [Resources](#) |
 [About TE](#) |
 [My Account](#) |
 [Innovation](#) |
 [Support Center](#)

5-103635-3 Product Details

Share |
 Print |
 Email



5-103635-3

TE Internal Number: 5-103635-3

Active

View 3D PDF

.100 AMPMODU Headers, Housings & Contacts

Always EU RoHS/ELV Compliant (Statement of Compliance)

Product Highlights:

- Connector
- Header
- Connector Style = Plug
- Contact Type = Pin
- 2.54 mm Centerline

[View all Features](#)

Quick Links

- ▶ [Pricing & Availability](#)
- ▶ [Search for Tooling](#)
- ▶ [View Mating Products \(1\)](#)
- ▶ [Product Feature Selector](#)
- ▶ [Contact Us About This Product](#)

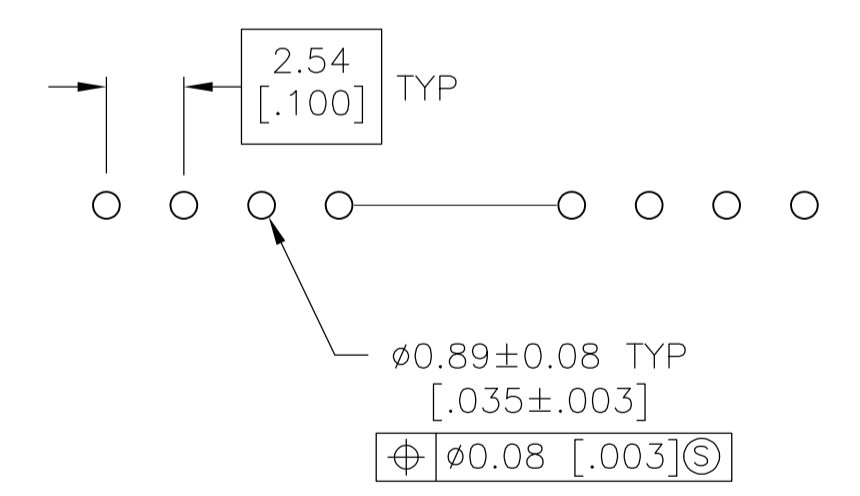
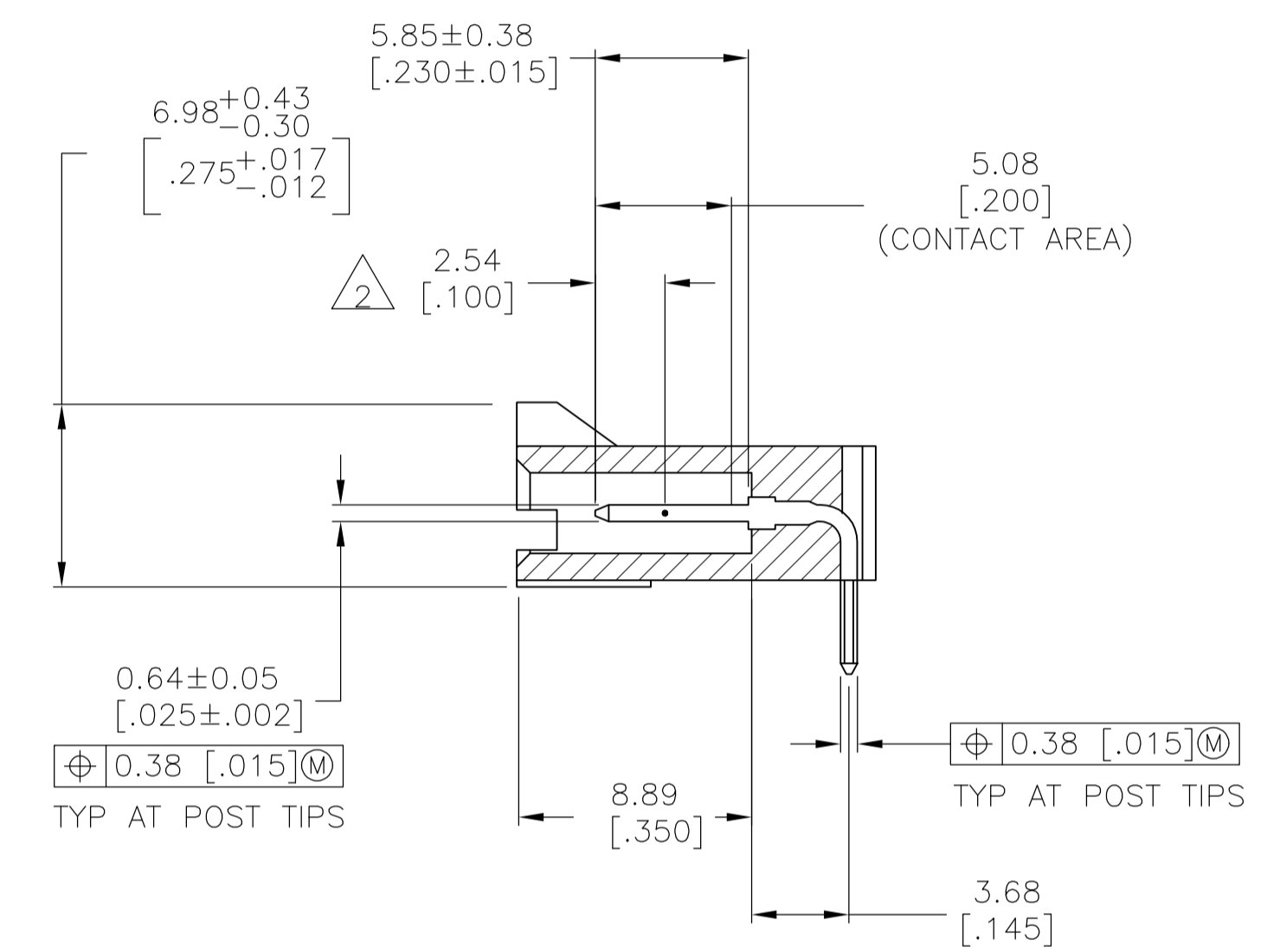
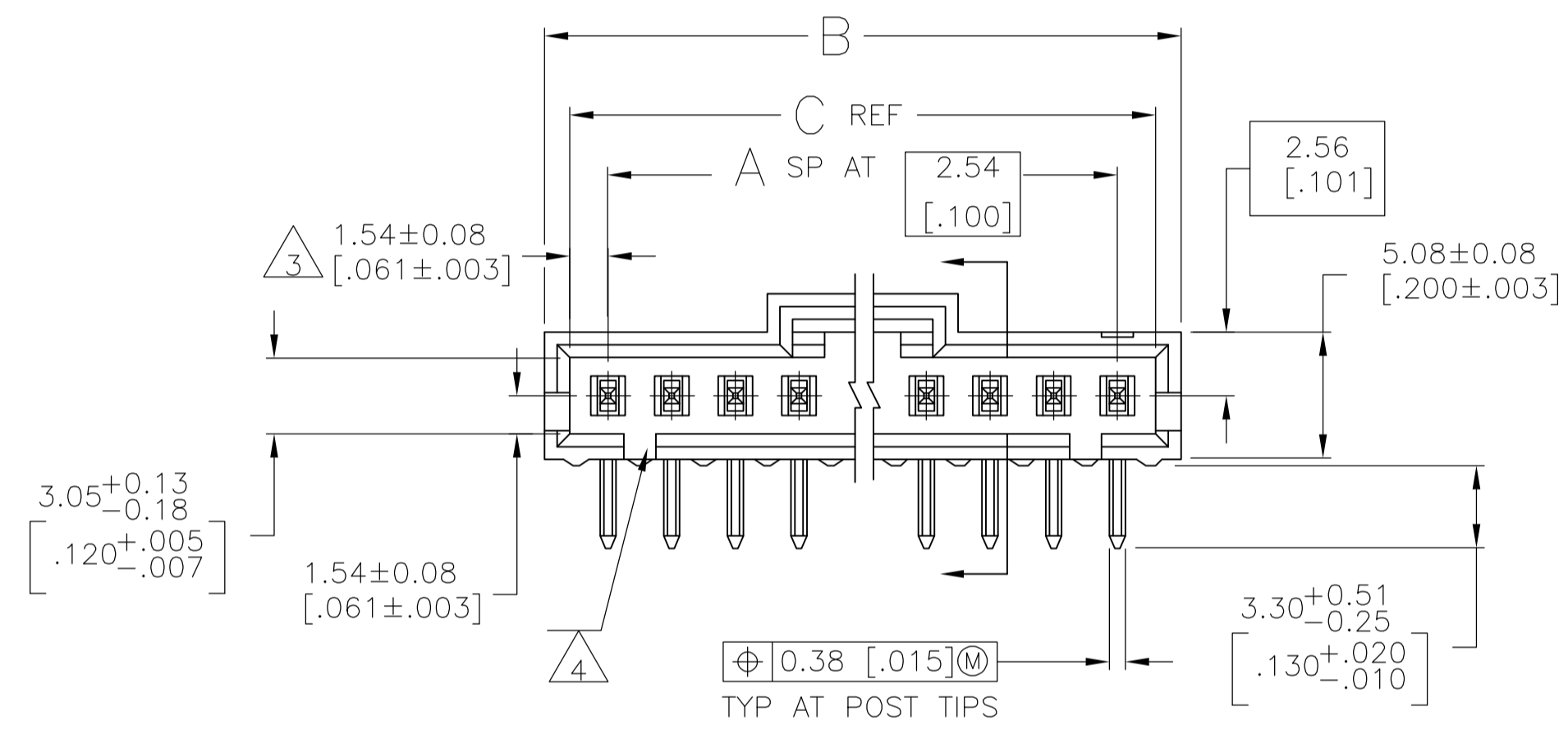
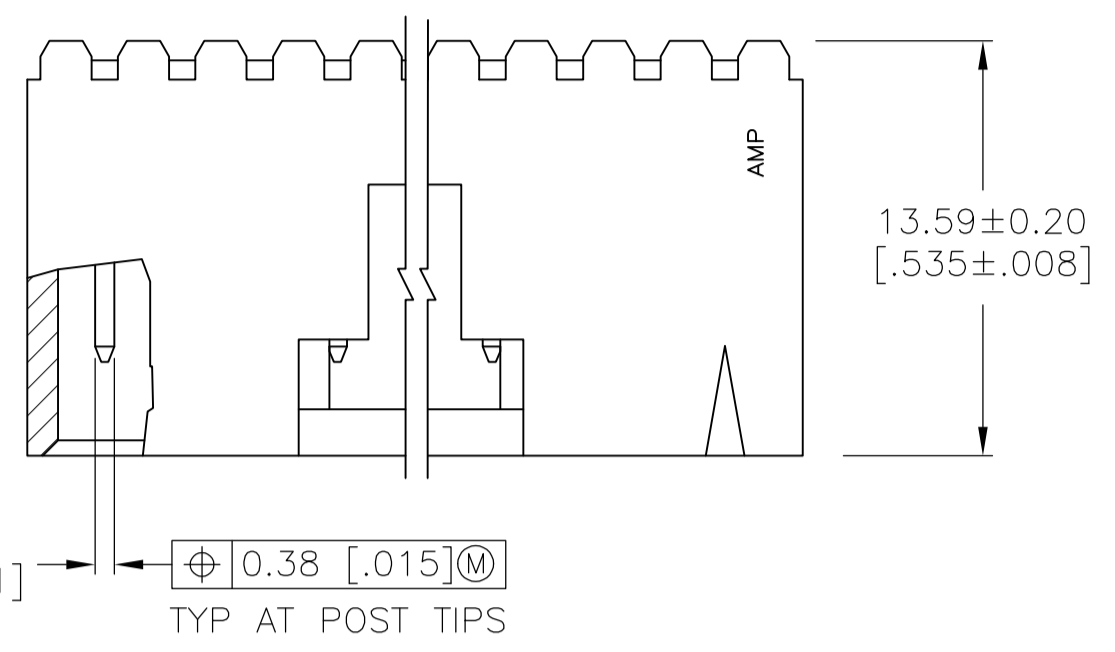
[Add to My Part List](#) |
 [Request Sample](#) |
 [Find Similar Products](#) |
 [Buy Product](#)

Documentation & Additional Information	
<p>Product Drawings:</p> <ul style="list-style-type: none"> • HDR ASSY, RTANG, SINGLE ROW 2.54[.100] C/L , 0.64[.0... (PDF, English) <p>Catalog Pages/Data Sheets:</p> <ul style="list-style-type: none"> • AMPMODU_INTERCONNECTION_SYSTEM_SECTIONS5_CONT (PDF, English) • AMPMODU_MTE_INTERCONNECT_SYSTEM_QRG_4-1773458-0 (PDF, English) <p>Product Specifications:</p> <ul style="list-style-type: none"> • None Available <p>Application Specifications:</p> <ul style="list-style-type: none"> • AMPMODU MTE Interconnection System (PDF, English) <p>Instruction Sheets:</p> <ul style="list-style-type: none"> • None Available <p>CAD Files: (CAD Format & Compression Information)</p> <ul style="list-style-type: none"> • 2D Drawing (DXF, Version S) • 3D Model (IGES, Version S) • 3D Model (STEP, Version S) 	<p>Additional Information:</p> <ul style="list-style-type: none"> • Product Line Information <p>Related Products:</p> <ul style="list-style-type: none"> • Tooling • Mating Products (1)

[List all Documents](#)

Product Features (Please use the Product Drawing for all design activity)	
<p>Product Type Features:</p> <ul style="list-style-type: none"> • Product Type = Connector • Connector Type = Header • Post Size (mm [in]) = 0.64 [.025] • PCB Mounting Orientation = Right Angle • Termination Method to Wire/Cable = Crimp, Insulation Displacement Crimp (IDC) • PCB Mount Style = Through Hole • PCB Mount Retention = Without • PCB Orientation Feature = No • Connector Series = MTE <p>Electrical Characteristics:</p> <ul style="list-style-type: none"> • Contact - Rated Current (A) = 3 • Termination Resistance (mΩ) = 15 • Insulation Resistance (MΩ) = 5,000 • Dielectric Withstanding Voltage (V) = 600 <p>Termination Features:</p> <ul style="list-style-type: none"> • Solder Tail Contact Plating = Tin <p>Body Features:</p> <ul style="list-style-type: none"> • Row-to-Row Spacing (mm [in]) = 2.54 [0.100] <p>Contact Features:</p> <ul style="list-style-type: none"> • Contact Type = Pin • Contact Plating, Mating Area, Material = Gold (15) • Contact Base Material = Brass • Contact Shape = Square 	<p>Housing Features:</p> <ul style="list-style-type: none"> • Connector Style = Plug • Centerline (mm [in]) = 2.54 [0.100] • Mating Alignment = With • Mating Alignment Type = Latched • Housing Color = Black • UL Flammability Rating = UL 94V-0 • Housing Material = Thermoplastic - GF <p>Configuration Features:</p> <ul style="list-style-type: none"> • Number of Positions = 4 • Number of Rows = 1 <p>Industry Standards:</p> <ul style="list-style-type: none"> • RoHS/ELV Compliance = RoHS compliant, ELV compliant • Lead Free Solder Processes = Wave solder capable to 260°C, Wave solder capable to 240°C, Wave solder capable to 265°C • RoHS/ELV Compliance History = Always was RoHS compliant • Approved Standards = UL E28476, CSA LR7189 <p>Environmental:</p> <ul style="list-style-type: none"> • Operating Temperature (°C) = -65 - +105 <p>Conditions for Usage:</p> <ul style="list-style-type: none"> • Applies To = Printed Circuit Board <p>Packaging Features:</p> <ul style="list-style-type: none"> • Packaging Method = Tube <p>Other:</p> <ul style="list-style-type: none"> • Brand = AMP • Comment = Use Keying Tool No. 91417-1 to remove post for keying.

LOC		DIST		REVISIONS			
AD	00	F	LTR	DESCRIPTION	DATE	DWN	APVD
S2	REVISED PER	ECO-11-004587			11MAR11	RK	HMR



RECOMMENDED HOLE LAYOUT

- 1 .00038 [.000015] GOLD IN THE CONTACT AREA, .00254 [.000100] MATTE TIN-LEAD ON THE REMAINDER OF CONTACT, ALL OVER .00127 [.000050] NICKEL.
- 2 POINT OF MEASUREMENT FOR PLATING THICKNESS.
- 3 THE NOTED DIMENSIONS APPLY AT THE INTERSECTION OF THE POST AND THE HOUSING.
- 4 ON ASSEMBLIES WITH FOUR OR MORE POSITIONS, TWO POLARIZATION SLOTS. ON ASSEMBLIES WITH TWO OR THREE POSITIONS, ONE POLARIZATION SLOT.
- 5 .00038 [.000015] GOLD IN THE CONTACT AREA, .00254 [.000100] MATTE TIN ON THE REMAINDER OF CONTACT, ALL OVER .00127 [.000050] NICKEL.
- 6 HIGH TEMPERATURE CONFIGURATION
- 7 OBSOLETE PARTS: OBSOLETE CIS STREAMLINING PER D.RENAUD/D.SINISI

REV	DESCRIPTION	DATE	DWN	APVD	PART NO.	
1		64.01 [2.520]	66.04 [2.600]	24	25	2-103635-4
1		61.47 [2.420]	63.50 [2.500]	23	24	2-103635-3
1		58.93 [2.320]	60.96 [2.400]	22	23	2-103635-2
1		56.39 [2.220]	58.42 [2.300]	21	22	2-103635-1
1		53.85 [2.120]	55.88 [2.200]	20	21	2-103635-0
1		51.31 [2.020]	53.34 [2.100]	19	20	1-103635-9
1		48.77 [1.920]	50.80 [2.000]	18	19	1-103635-8
1		46.23 [1.820]	48.26 [1.900]	17	18	1-103635-7
1		43.69 [1.720]	45.72 [1.800]	16	17	1-103635-6
1		41.15 [1.620]	43.18 [1.700]	15	16	1-103635-5
1		38.61 [1.520]	40.64 [1.600]	14	15	1-103635-4
1		36.07 [1.420]	38.10 [1.500]	13	14	1-103635-3
1		33.53 [1.320]	35.56 [1.400]	12	13	1-103635-2
1		30.99 [1.220]	33.02 [1.300]	11	12	1-103635-1
1		28.45 [1.120]	30.48 [1.200]	10	11	1-103635-0
1		25.91 [1.020]	27.94 [1.100]	9	10	103635-9
1		23.37 [.920]	25.40 [1.000]	8	9	103635-8
1		20.83 [.820]	22.86 [.900]	7	8	103635-7
1		18.29 [.720]	20.32 [.800]	6	7	103635-6
1		15.75 [.620]	17.78 [.700]	5	6	103635-5
1		13.21 [.520]	15.24 [.600]	4	5	103635-4
1		10.67 [.420]	12.70 [.500]	3	4	103635-3
1		8.13 [.320]	10.16 [.400]	2	3	103635-2
1		5.59 [.220]	7.62 [.300]	1	2	103635-1
	PLATING	C	B	A	NO. OF POSN	PART NO.

7 SUPERSEDED BY 7-103635-1

7 OBSOLETE

7 OBSOLETE

7 SUPERSEDED BY 6-103635-6

THIS DRAWING IS A CONTROLLED DOCUMENT.

DIN S. SHUEY 5-3-91
 CDR L. CASTAGNA 27-3-91
 APVD L. CASTAGNA 27-3-91

TE Connectivity

HDR ASSY, RTANG, SINGLE ROW
 2.54[.100] C/L, 0.64[.025] SQ POST,
 WITH PLZN & LATCHING, AMPMODU MTE

PRODUCT SPEC 108-25034
 APPLICATION SPEC 114-25026

SIZE A1 CAGE CODE 00779 DRAWING NO. 103635 RESTRICTED TO
 WEIGHT -

MATERIAL: HOUSING: BISMUTH
 TUNGSTEN
 COPPER-BRASS
 CONTACTS: BRASS


FINISH: SEE TABLE

CUSTOMER DRAWING SCALE 4:1 SHEET 1 OF 2 REV S2

LOC		DIST		REVISIONS			
P	LYR	DESCRIPTION	DATE	DNW	APVD		
-	-	SEE SHEET 1	-	-	-	-	-

	△6	△5	64.01 [2.520]	66.04 [2.600]	24	25	7-103635-4	
	△6	△5	61.47 [2.420]	63.50 [2.500]	23	24	7-103635-3	
△7	OBSOLETE	△6	△5	58.93 [2.320]	60.96 [2.400]	22	23	7-103635-2
	△6	△5	56.39 [2.220]	58.42 [2.300]	21	22	7-103635-1	
△7	OBSOLETE	△6	△5	53.85 [2.120]	55.88 [2.200]	20	21	7-103635-0
	△6	△5	51.31 [2.020]	53.34 [2.100]	19	20	6-103635-9	
△7	OBSOLETE	△6	△5	48.77 [1.920]	50.80 [2.000]	18	19	6-103635-8
	△6	△5	46.23 [1.820]	48.26 [1.900]	17	18	6-103635-7	
	△6	△5	43.69 [1.720]	45.72 [1.800]	16	17	6-103635-6	
	△6	△5	41.15 [1.620]	43.18 [1.700]	15	16	6-103635-5	
	△6	△5	38.61 [1.520]	40.64 [1.600]	14	15	6-103635-4	
	△6	△5	36.07 [1.420]	38.10 [1.500]	13	14	6-103635-3	
	△6	△5	33.53 [1.320]	35.56 [1.400]	12	13	6-103635-2	
	△6	△5	30.99 [1.220]	33.02 [1.300]	11	12	6-103635-1	
	△6	△5	28.45 [1.120]	30.48 [1.200]	10	11	6-103635-0	
	△6	△5	25.91 [1.020]	27.94 [1.100]	9	10	5-103635-9	
	△6	△5	23.37 [.920]	25.40 [1.000]	8	9	5-103635-8	
	△6	△5	20.83 [.820]	22.86 [.900]	7	8	5-103635-7	
	△6	△5	18.29 [.720]	20.32 [.800]	6	7	5-103635-6	
	△6	△5	15.75 [.620]	17.78 [.700]	5	6	5-103635-5	
	△6	△5	13.21 [.520]	15.24 [.600]	4	5	5-103635-4	
	△6	△5	10.67 [.420]	12.70 [.500]	3	4	5-103635-3	
	△6	△5	8.13 [.320]	10.16 [.400]	2	3	5-103635-2	
	△6	△5	5.59 [.220]	7.62 [.300]	1	2	5-103635-1	
	REMARKS	PLATING	C	B	A	NO. OF POSN	PART NO.	

THIS DRAWING IS A CONTROLLED DOCUMENT.

DRN S. SHUEY 5-3-91	 TE Connectivity
CHK L. CASTAGNA 27-3-91	
APVD L. CASTAGNA 27-3-91	NAME HDR ASSY, RTANG, SINGLE ROW
PRODUCT SPEC 108-25034	2.54[.100] C/L, 0.64[.025] SQ POST, WITH PLZN & LATCHING, AMPMODU MTE
APPLICATION SPEC 114-25026	SIZE A1
MATERIAL WEIGHT CUSTOMER DRAWING	CAGE CODE DRAWING NO 00779 103635 SCALE 1:1 SHEET 2 OF 2 REV 52

4805 (3/11)