

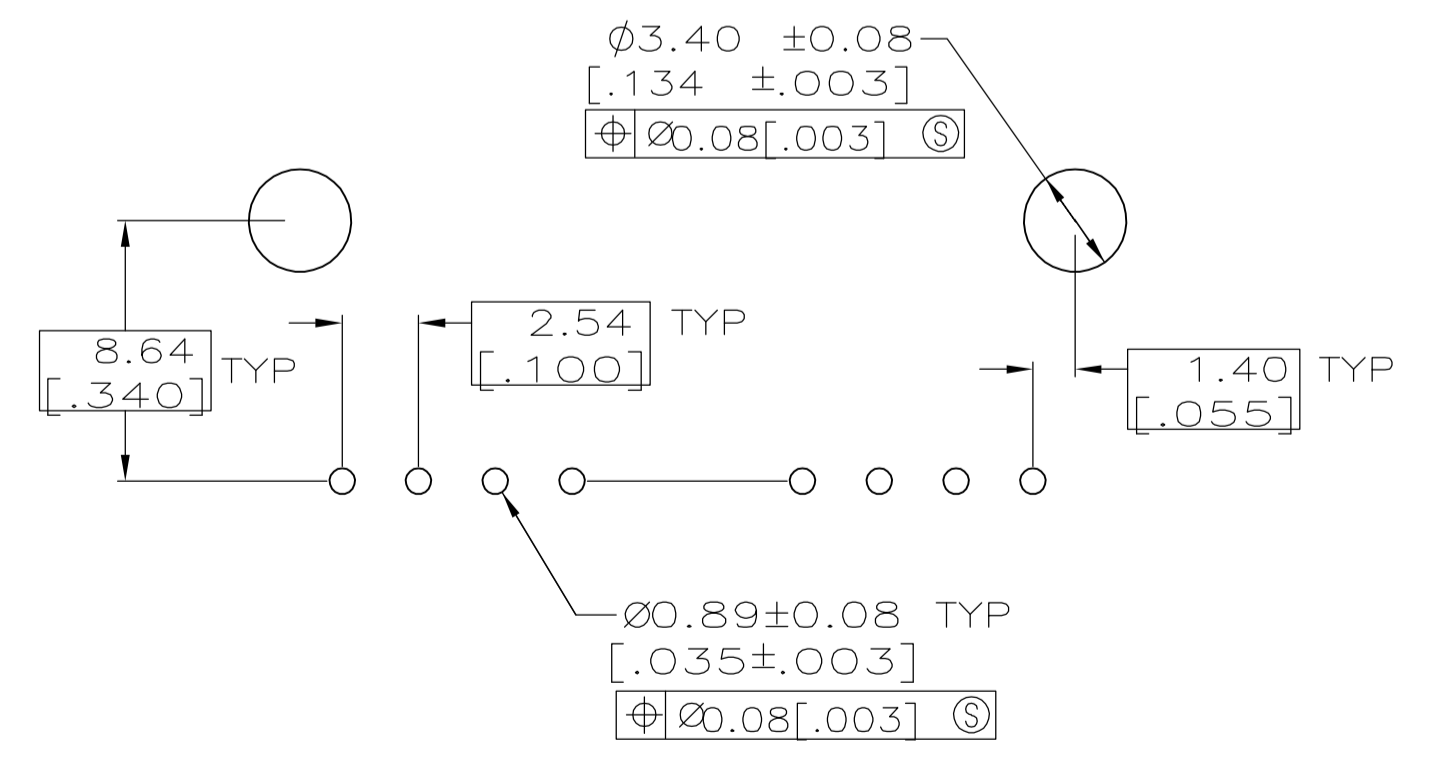
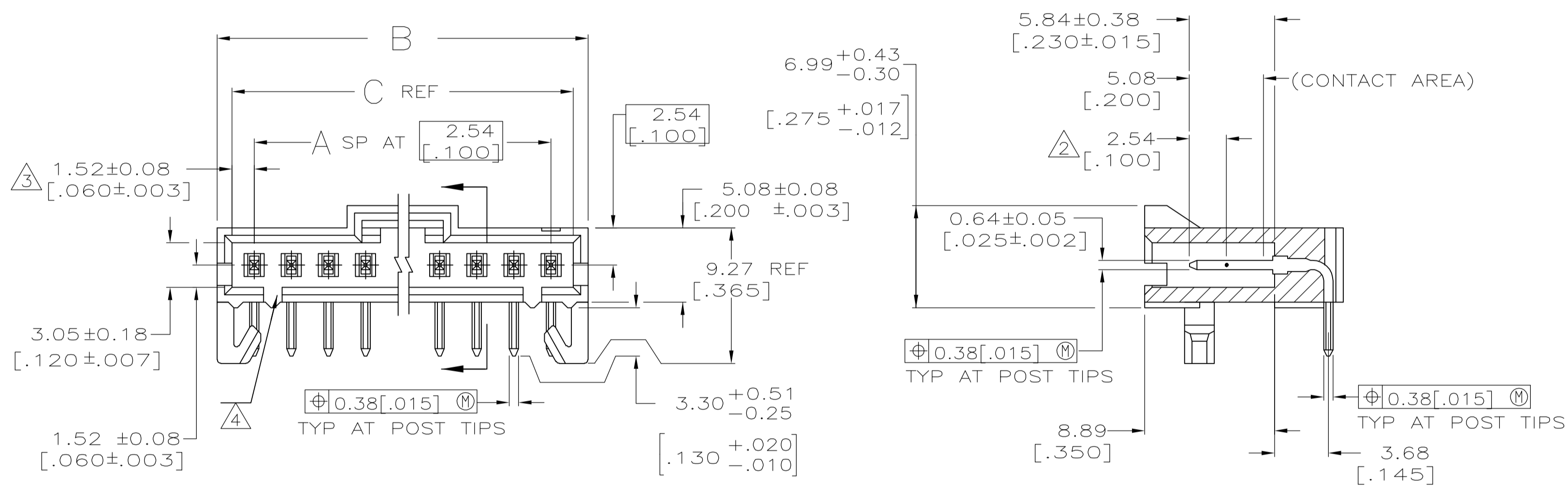
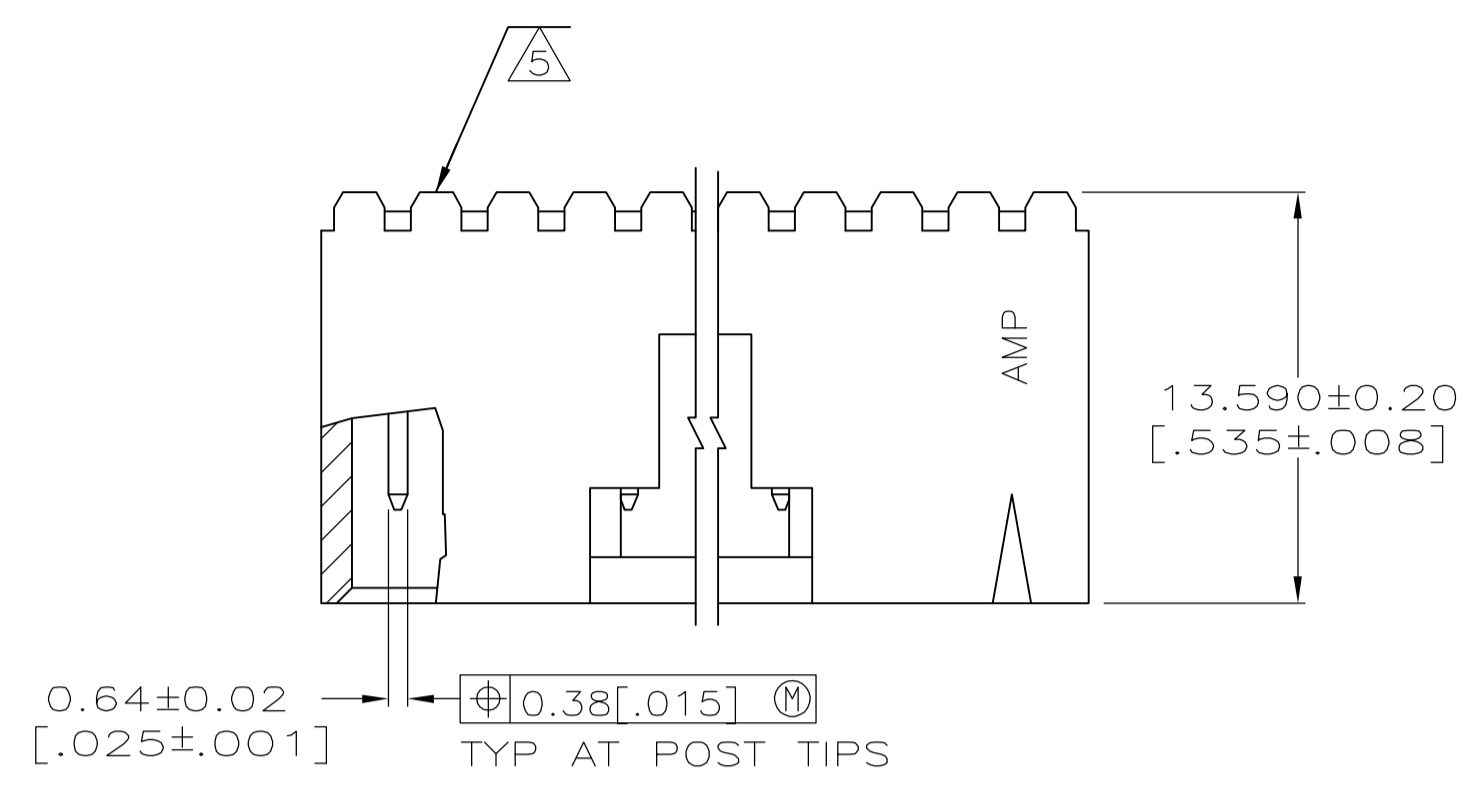
Distributed by:

JAMECO[®]
ELECTRONICS

www.Jameco.com ♦ 1-800-831-4242

The content and copyrights of the attached
material are the property of its owner.

Jameco Part Number 752835



- ① .00038[.000015] GOLD IN THE CONTACT AREA, .00254[.000100] MATTE TIN-LEAD ON REMAINDER OF CONTACT, ALL OVER .00127[.000050] NICKEL.
- ② POINT OF MEASUREMENT FOR PLATING THICKNESS.
- ③ THE NOTED DIMENSIONS APPLY AT THE INTERSECTION OF THE POST AND THE HOUSING.
- ④ ON ASSEMBLIES WITH FOUR OR MORE POSITIONS, TWO POLARIZATION SLOTS. ON ASSEMBLIES WITH TWO OR THREE POSITIONS, ONE POLARIZATION SLOT.
- ⑤ AMP TRADEMARK MOLDED ON THIS SURFACE.
- 6. FOR USE WITH 1.57±0.20[.062±.008] PRINTED CIRCUIT BOARD.
- ⑥ .00038[.000015] GOLD IN THE CONTACT AREA, .00254[.000100] MATTE TIN ON REMAINDER OF CONTACT, ALL OVER .00127[.000050] NICKEL.
- ⑧ PRELIMINARY PART - NOT RELEASED FOR PRODUCTION.
- ⑨ HIGH TEMPERATURE CONFIGURATION.

SEE SHEET 2 FOR PART NUMBER TABLES

RECOMMENDED HOLE LAYOUT

THIS DRAWING IS A CONTROLLED DOCUMENT.		DWN S. SHUEY	05MAR91		Tyco Electronics Corporation Harrisburg, PA 17105
DIMENSIONS: INCHES		CHK J. GESFORD	05MAR91		NAME
TOLERANCES UNLESS OTHERWISE SPECIFIED:		APP'D J. GESFORD	05MAR91	PRODUCT SPEC	2.54[.100] C/L 0.641[.025] SQ. POST,
0 PLC	± -	APPLICATION SPEC		108-25034	WITH PLZLN & HOLD DOWNS, AMPMODU MTE
1 PLC	± -	SIZE		114-25026	
2 PLC	± 0.15[.005]	CAGE CODE		00779	
3 PLC	± -	DRAWING NO		103673	
4 PLC	± -	WEIGHT		-	
ANGLES	± -	CUSTOMER DRAWING			
FINISH	SEE TABLE	SCALE		4:1	
		SHEET		1 OF 2	
		REV		T1	

REMARKS	PLATING	C	B	A	NO. OF POSN	PART NO.
		64.01	66.04	24	25	7-103673-4
		[2.520]	[2.600]			
		61.47	63.50	23	24	7-103673-3
		[2.420]	[2.500]			
		58.93	60.96	22	23	7-103673-2
		[2.320]	[2.400]			
		56.39	58.42	21	22	7-103673-1
		[2.220]	[2.300]			
		53.85	55.88	20	21	7-103673-0
		[2.120]	[2.200]			
		51.31	53.34	19	20	6-103673-9
		[2.020]	[2.100]			
		48.77	50.80	18	19	6-103673-8
		[1.920]	[2.000]			
		46.23	48.26	17	18	6-103673-7
		[1.820]	[1.900]			
		43.69	45.72	16	17	6-103673-6
		[1.720]	[1.800]			
		41.15	43.18	15	16	6-103673-5
		[1.620]	[1.700]			
		38.61	40.64	14	15	6-103673-4
		[1.520]	[1.600]			
		36.07	38.10	13	14	6-103673-3
		[1.420]	[1.500]			
		33.53	35.56	12	13	6-103673-2
		[1.320]	[1.400]			
		30.99	33.02	11	12	6-103673-1
		[1.220]	[1.300]			
		28.45	30.48	10	11	6-103673-0
		[1.120]	[1.200]			
		25.91	27.94	9	10	5-103673-9
		[1.020]	[1.100]			
		23.37	25.40	8	9	5-103673-8
		[.920]	[1.000]			
		20.83	22.86	7	8	5-103673-7
		[.820]	[.900]			
		18.29	20.32	6	7	5-103673-6
		[.720]	[.800]			
		15.75	17.78	5	6	5-103673-5
		[.620]	[.700]			
		13.21	15.24	4	5	5-103673-4
		[.520]	[.600]			
		10.67	12.70	3	4	5-103673-3
		[.420]	[.500]			
		8.13	10.16	2	3	5-103673-2
		[.320]	[.400]			
		5.59	7.62	1	2	5-103673-1
		[.220]	[.300]			

PLATING	C	B	A	NO. OF POSN	PART NO.	
		41.15	43.18	15	16	2-103673-6
		[1.620]	[1.700]			
		18.29	20.32	6	7	2-103673-5
		[.720]	[.800]			
		64.01	66.04	24	25	2-103673-4
		[2.520]	[2.600]			
		61.47	63.50	23	24	2-103673-3
		[2.420]	[2.500]			
		58.93	60.96	22	23	2-103673-2
		[2.320]	[2.400]			
		56.39	58.42	21	22	2-103673-1
		[2.220]	[2.300]			
		53.85	55.88	20	21	2-103673-0
		[2.120]	[2.200]			
		51.31	53.34	19	20	1-103673-9
		[2.020]	[2.100]			
		48.77	50.80	18	19	1-103673-8
		[1.920]	[2.000]			
		46.23	48.26	17	18	1-103673-7
		[1.820]	[1.900]			
		43.69	45.72	16	17	1-103673-6
		[1.720]	[1.800]			
		41.15	43.18	15	16	1-103673-5
		[1.620]	[1.700]			
		38.61	40.64	14	15	1-103673-4
		[1.520]	[1.600]			
		36.07	38.10	13	14	1-103673-3
		[1.420]	[1.500]			
		33.53	35.56	12	13	1-103673-2
		[1.320]	[1.400]			
		30.99	33.02	11	12	1-103673-1
		[1.220]	[1.300]			
		28.45	30.48	10	11	1-103673-0
		[1.120]	[1.200]			
		25.91	27.94	9	10	103673-9
		[1.020]	[1.100]			
		23.37	25.40	8	9	103673-8
		[.920]	[1.000]			
		20.83	22.86	7	8	103673-7
		[.820]	[.900]			
		18.29	20.32	6	7	103673-6
		[.720]	[.800]			
		15.75	17.78	5	6	103673-5
		[.620]	[.700]			
		13.21	15.24	4	5	103673-4
		[.520]	[.600]			
		10.67	12.70	3	4	103673-3
		[.420]	[.500]			
		8.13	10.16	2	3	103673-2
		[.320]	[.400]			
		5.59	7.62	1	2	103673-1
		[.220]	[.300]			

THIS DRAWING IS A CONTROLLED DOCUMENT.

DIMENSIONS: INCHES	TOLERANCES UNLESS OTHERWISE SPECIFIED: 0 PLC ± - 1 PLC ± - 2 PLC ± 0.13[.005] 3 PLC ± - 4 PLC ± - ANGLES ± -	DWG S. SHUEY OSMAR91 CHK J. GESFORD OSMAR91 APVD J. GESFORD OSMAR91	tyco Tyco Electronics Corporation Harrisburg, PA 17105
		NAME HDR ASSY, RTANG, SINGLE ROW PRODUCT SPEC 2.54[.100] C/L 0.64[.025] SQ. POST, APPLICATION SPEC 108-25034 WITH PLZN & HOLD DOWNS, AMPMODU MTE	
MATERIAL -	FINISH SEE TABLE	SIZE A1 CAGE CODE 00779 DRAWING NO. 114-25026 WEIGHT -	RESTRICTED TO CUSTOMER DRAWING SCALE 4:1 SHEET 2 OF 2 REV T1