

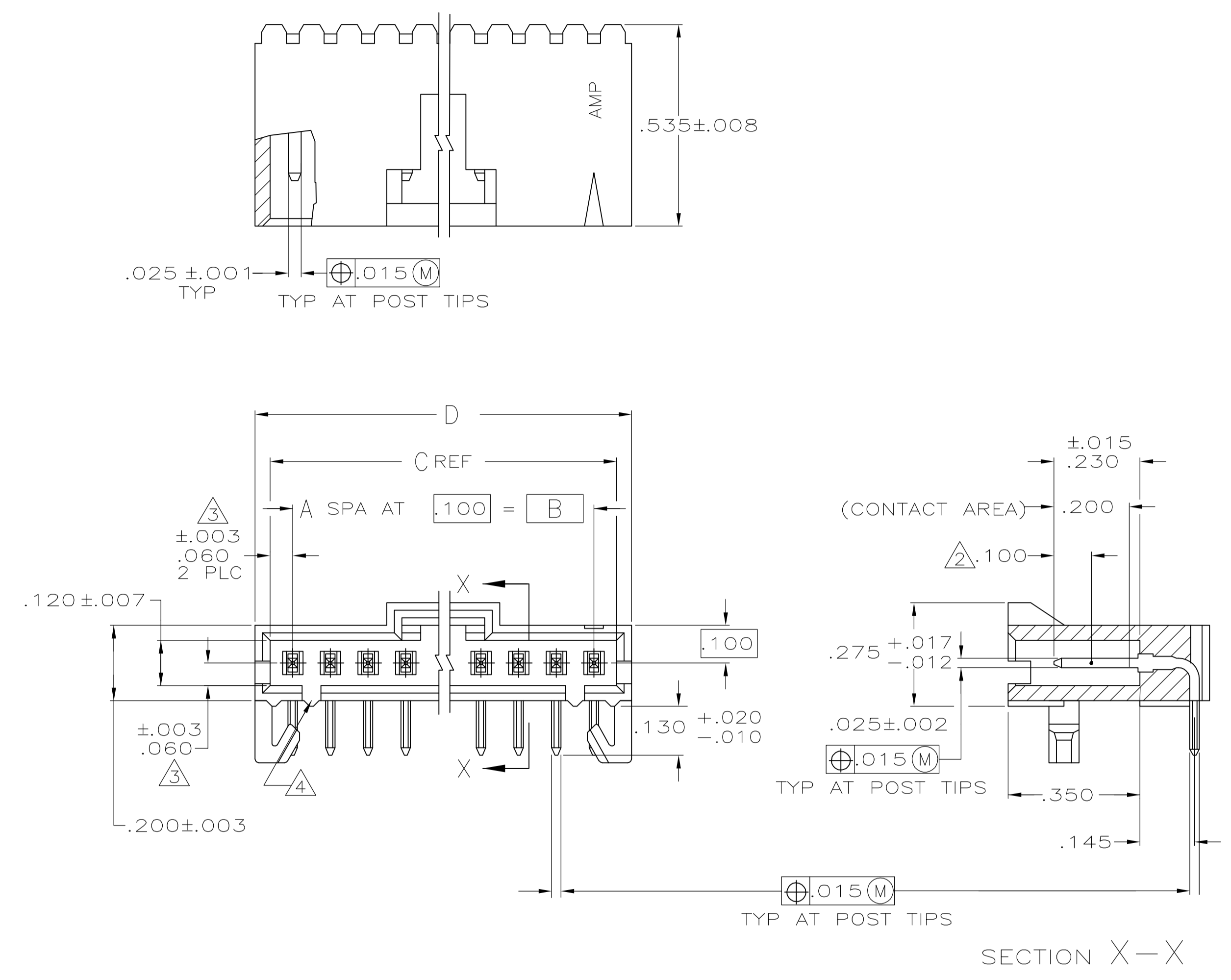
Distributed by:

JAMECO[®]
ELECTRONICS

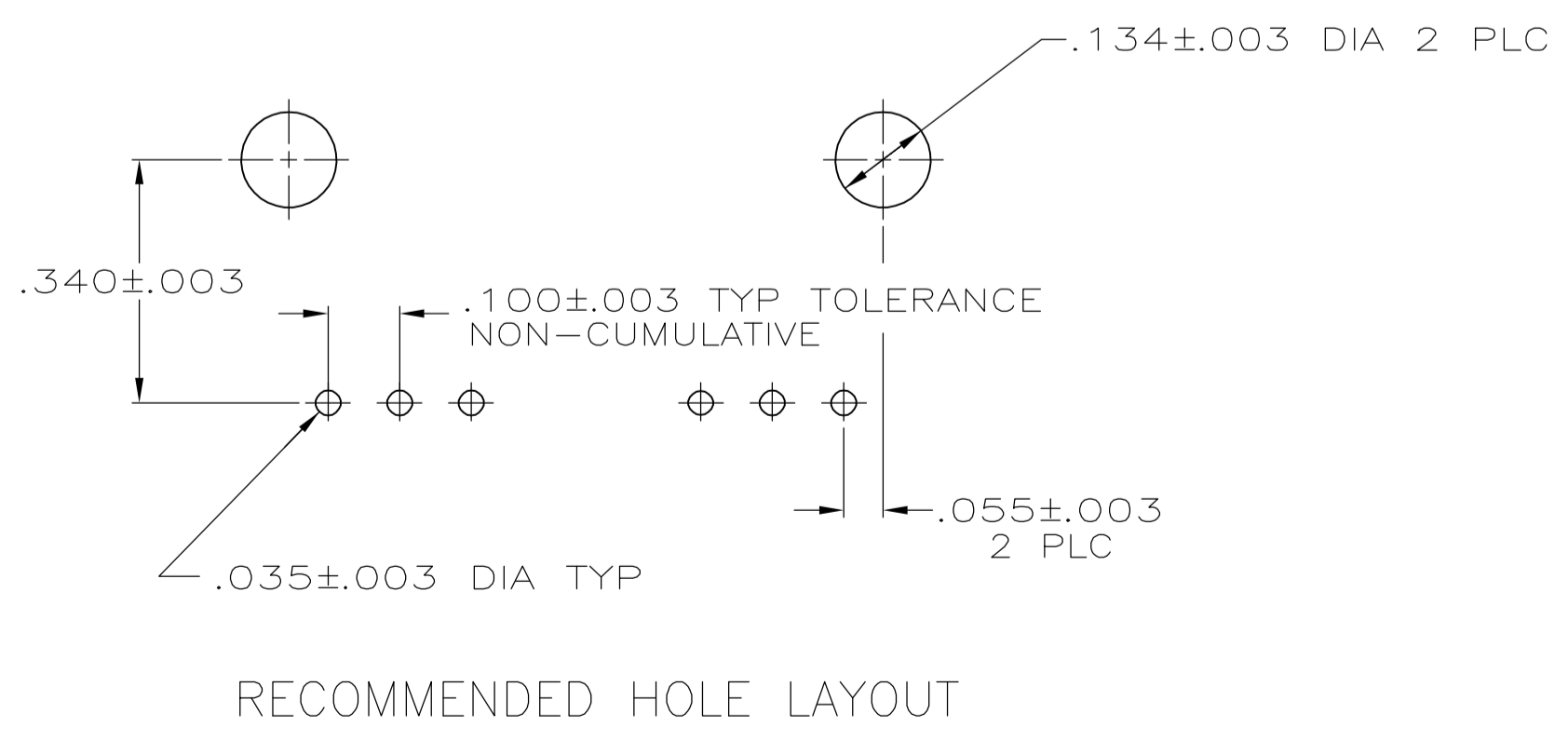
www.Jameco.com ♦ 1-800-831-4242

The content and copyrights of the attached
material are the property of its owner.

Jameco Part Number 752851



- 1 HOUSING: FLAME RETARDANT, THERMOPLASTIC, BLACK
POST: BRASS
- 2 POINT OF MEASUREMENT FOR PLATING THICKNESS
- 3 THE NOTED DIMENSIONS APPLY FROM THE BASIC
DIMENSION LINE (NOT THE POST CENTERLINE)
TO THE SURFACE INDICATED
- 4 ON ASSEMBLIES WITH FOUR OR MORE POSITIONS,
TWO POLARIZATION SLOTS.
ON ASSEMBLIES WITH TWO OR THREE POSITIONS,
ONE POLARIZATION SLOT.
- 5 FOR USE WITH .062±.008 PRINTED CIRCUIT BOARD
- 6 .000030 GOLD IN THE CONTACT AREA,
.000100-.000200 MATTE TIN-LEAD ON THE
SOLDER TAIL, ALL OVER .000050 NICKEL
- 7 .000030 GOLD IN THE CONTACT AREA,
.000100-.000200 MATTE TIN ON THE
SOLDER TAIL, ALL OVER .000050 NICKEL
- 8 HIGH TEMPERATURE CONFIGURATION.



8	7	2.600	2.520	2.400	24	25	7-103904-4
		2.500	2.420	2.300	23	24	7-103904-3
6	7	2.400	2.320	2.200	22	23	7-103904-2
		2.300	2.220	2.100	21	22	7-103904-1
		2.200	2.120	2.000	20	21	7-103904-0
		2.100	2.020	1.900	19	20	6-103904-9
		2.000	1.920	1.800	18	19	6-103904-8
		1.900	1.820	1.700	17	18	6-103904-7
		1.800	1.720	1.600	16	17	6-103904-6
		1.700	1.620	1.500	15	16	6-103904-5
		1.600	1.520	1.400	14	15	6-103904-4
		1.500	1.420	1.300	13	14	6-103904-3
		1.400	1.320	1.200	12	13	6-103904-2
		1.300	1.220	1.100	11	12	6-103904-1
		1.200	1.120	1.000	10	11	6-103904-0
		1.100	1.020	.900	9	10	5-103904-9
		1.000	.920	.800	8	9	5-103904-8
		.900	.820	.700	7	8	5-103904-7
		.800	.720	.600	6	7	5-103904-6
		.700	.620	.500	5	6	5-103904-5
		.600	.520	.400	4	5	5-103904-4
		.500	.420	.300	3	4	5-103904-3
.400	.320	.200	2	3	5-103904-2		
.300	.220	.100	1	2	5-103904-1		
6	7	2.600	2.520	2.400	24	25	2-103904-4
		2.500	2.420	2.300	23	24	2-103904-3
		2.400	2.320	2.200	22	23	2-103904-2
		2.300	2.220	2.100	21	22	2-103904-1
		2.200	2.120	2.000	20	21	2-103904-0
		2.100	2.020	1.900	19	20	1-103904-9
		2.000	1.920	1.800	18	19	1-103904-8
		1.900	1.820	1.700	17	18	1-103904-7
		1.800	1.720	1.600	16	17	1-103904-6
		1.700	1.620	1.500	15	16	1-103904-5
		1.600	1.520	1.400	14	15	1-103904-4
		1.500	1.420	1.300	13	14	1-103904-3
		1.400	1.320	1.200	12	13	1-103904-2
		1.300	1.220	1.100	11	12	1-103904-1
		1.200	1.120	1.000	10	11	1-103904-0
		1.100	1.020	.900	9	10	103904-9
		1.000	.920	.800	8	9	103904-8
		.900	.820	.700	7	8	103904-7
		.800	.720	.600	6	7	103904-6
		.700	.620	.500	5	6	103904-5
.600	.520	.400	4	5	103904-4		
.500	.420	.300	3	4	103904-3		
.400	.320	.200	2	3	103904-2		
.300	.220	.100	1	2	103904-1		

THIS DRAWING IS A CONTROLLED DOCUMENT.

DIN E. BRANDBERG 5-17-93		Tyco Electronics Corporation Harrisburg, PA 17105-3608	
CHK J. GESFORD 5-17-93		NAME	APVD
DIMENSIONS: INCHES	TOLERANCES UNLESS OTHERWISE SPECIFIED:	PRODUCT SPEC	APPLICATION SPEC
0 PLC ± -	1 PLC ± -	108-25034	
2 PLC ± -	3 PLC ± .005	SIZE	CAGE CODE
4 PLC ± -	ANGLES ± -	A1	00779
MATERIAL	FINISH	WEIGHT	DRAWING NO
	SEE TABLE		103904
		CUSTOMER DRAWING	RESTRICTED TO
		SCALE 4:1	SHEET 1 OF 1
			REV P1