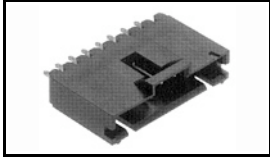


5-103908-2 Product Details

[Share](#) [Print](#) [Email](#)




5-103908-2

TE Internal Number: 5-103908-2

 Active

[View 3D PDF](#)

.100 AMPMODU Headers, Housings & Contacts

 Always EU RoHS/ELV Compliant
(Statement of Compliance)

Product Highlights:

- Connector
- Header
- Connector Style = Plug
- Contact Type = Pin
- 2.54 mm Centerline

[View all Features](#)

Quick Links

- ▶ [Pricing & Availability](#)
- ▶ [Search for Tooling](#)
- ▶ [View Mating Products \(1\)](#)
- ▶ [Product Feature Selector](#)
- ▶ [Contact Us About This Product](#)

[Add to My Part List](#)

[Request Sample](#)

[Find Similar Products](#)

[Buy Product](#)

Documentation & Additional Information

Product Drawings:

- [HEADER ASSY, AMPMODU MTE, VERTICAL, SINGLE ROW, .100...](#) (PDF, English)

Catalog Pages/Data Sheets:

- [AMP MODU MTE Section of Catalog 1307819](#) (PDF, English)
- [AMPMODU_INTERCONNECTION_SYSTEM_SECTION5_CONT](#) (PDF, English)
- [AMPMODU_MTE_INTERCONNECT_SYSTEM_QRG_4-1773458-0](#) (PDF, English)

Product Specifications:

- None Available

Application Specifications:

- [AMPMODU MTE Interconnection System](#) (PDF, English)

Instruction Sheets:

- None Available

CAD Files: (CAD Format & Compression Information)

- [2D Drawing](#) (DXF, Version S)
- [3D Model](#) (IGES, Version S)
- [3D Model](#) (STEP, Version S)

[List all Documents](#)

Additional Information:

- [Product Line Information](#)

Related Products:

- [Tooling](#)
- [Mating Products \(1\)](#)

Product Features (Please use the Product Drawing for all design activity)

Product Type Features:

- Product Type = Connector
- Connector Type = Header
- [Post Size \(mm \[in\]\)](#) = 0.64 [0.025]
- [PCB Mounting Orientation](#) = Vertical
- [PCB Mount Style](#) = Through Hole
- [PCB Mount Retention](#) = With
- [PCB Orientation Feature](#) = No
- [Connector Series](#) = MTE

Electrical Characteristics:

- Contact - Rated Current (A) = 3
- Termination Resistance (mΩ) = 15

Housing Features:

- Connector Style = Plug
- [Centerline \(mm \[in\]\)](#) = 2.54 [0.100]
- [Mating Alignment](#) = With
- [Mating Alignment Type](#) = Latched
- [Housing Color](#) = Black
- Housing Material = Thermoplastic - GF

Configuration Features:

- [Number of Positions](#) = 3
- [Number of Rows](#) = 1

Industry Standards:

- Insulation Resistance (MΩ) = 5,000
- Dielectric Withstanding Voltage (V) = 600

Termination Features:

- [Termination Method to Wire/Cable](#) = Crimp, Insulation Displacement Crimp (IDC)

Body Features:

- Row-to-Row Spacing (mm [in]) = 2.54 [0.100]

Contact Features:

- Contact Type = Pin
- [Contact Plating, Mating Area, Material](#) = Gold (30)
- Solder Tail Contact Plating = Tin
- Contact Base Material = Brass
- Contact Shape = Square

- [RoHS/ELV Compliance](#) = RoHS compliant, ELV compliant
- [Lead Free Solder Processes](#) = Wave solder capable to 260°C, Wave solder capable to 240°C, Wave solder capable to 265°C
- RoHS/ELV Compliance History = Always was RoHS compliant
- UL Flammability Rating = UL 94V-0
- Approved Standards = UL E28476, CSA LR7189

Environmental:

- Operating Temperature (°C) = -65 - +105

Conditions for Usage:

- [Applies To](#) = Printed Circuit Board

Packaging Features:

- Packaging Method = Tube

Other:

- Brand = AMP
- Comment = Use Keying Tool No. 91417-1 to remove post for keying.

Corporate Information

- [About TE](#)
- [Investors](#)
- [News Room](#)
- [Supplier Portal](#)
- [Careers](#)
- [Terms & Conditions](#)
- [Privacy Policy](#)
- [AODA Accessibility Policy](#)
- [AODA Multi-Year Accessibility Plan](#)

Quick Links

- [Distributor Inventory](#)
- [Product Cross Reference](#)
- [Documents & Drawings](#)
- [Product Compliance Support Center](#)
- [Site Map](#)

Customer Support

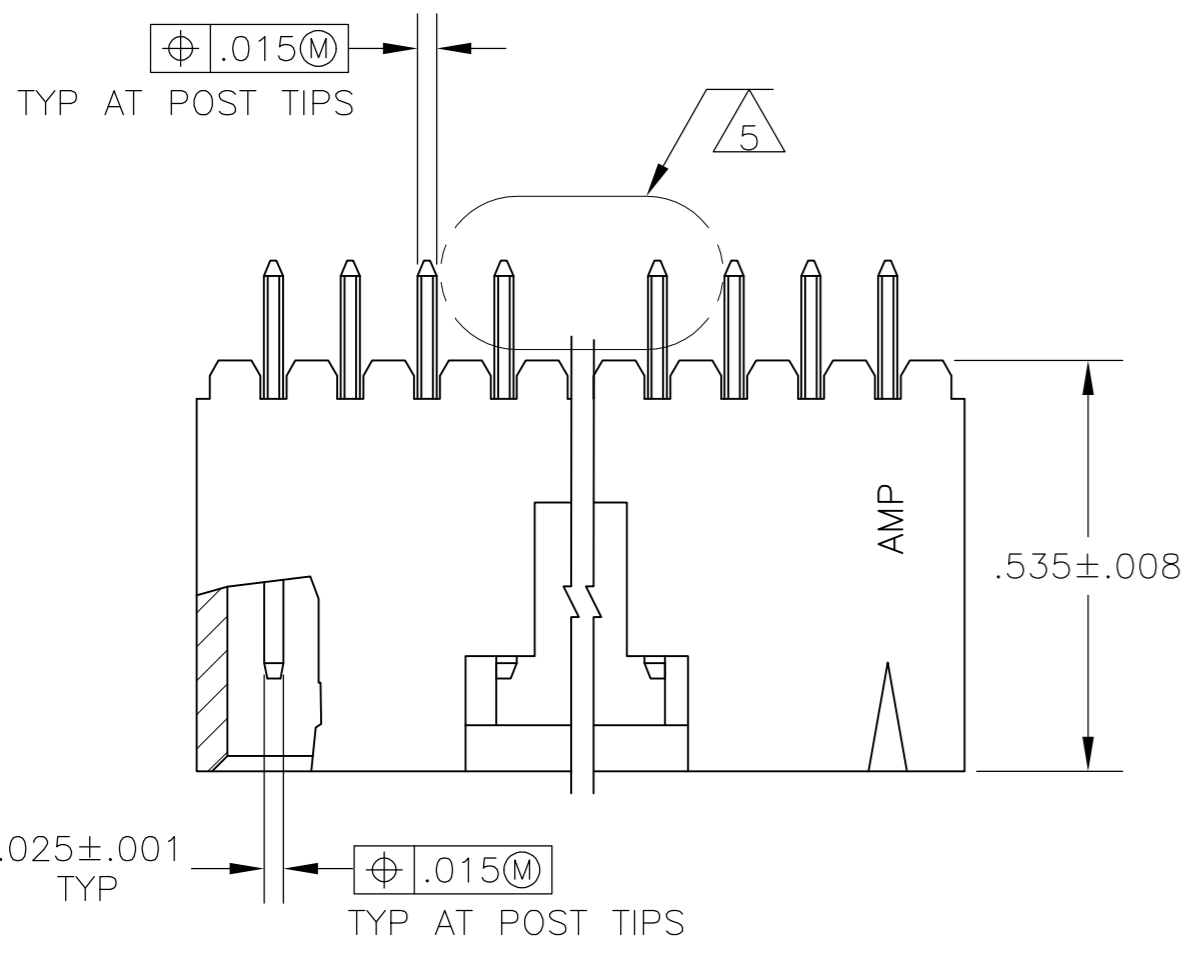
- [Email or Chat With Us](#)
- [Find a Phone Number](#)
- [Knowledge Base](#)
- [Manage Your Account](#)

Keep Me Informed

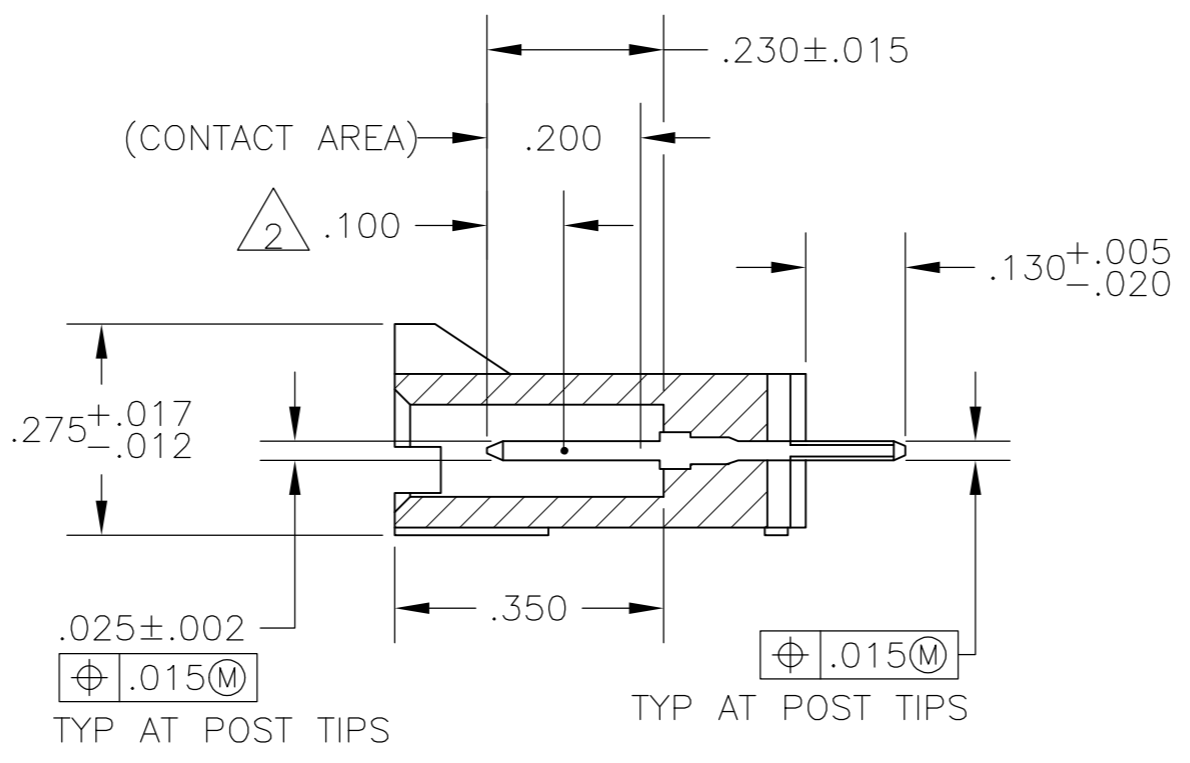
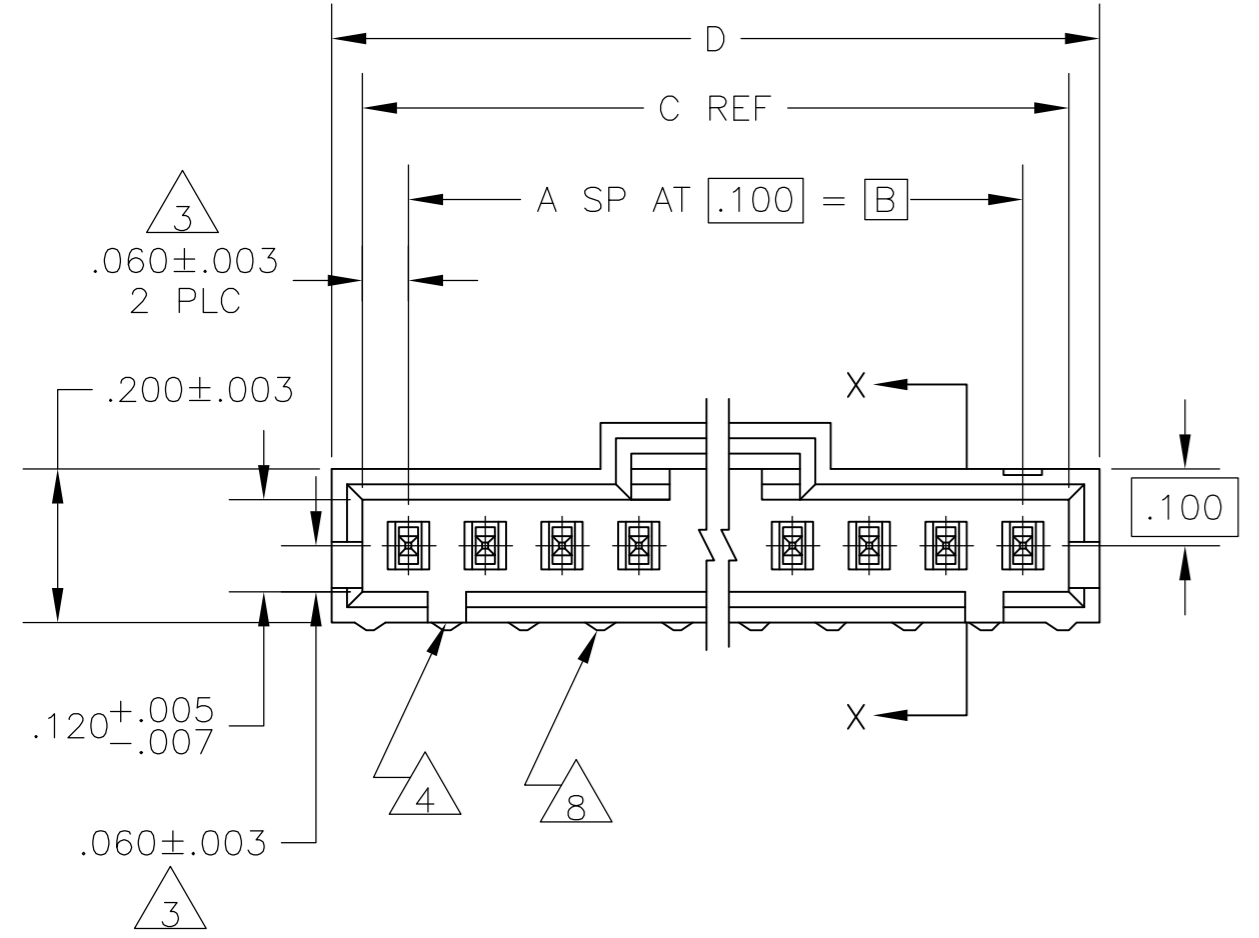


THIS DRAWING IS UNPUBLISHED. RELEASED FOR PUBLICATION
 © COPYRIGHT - By - ALL RIGHTS RESERVED.

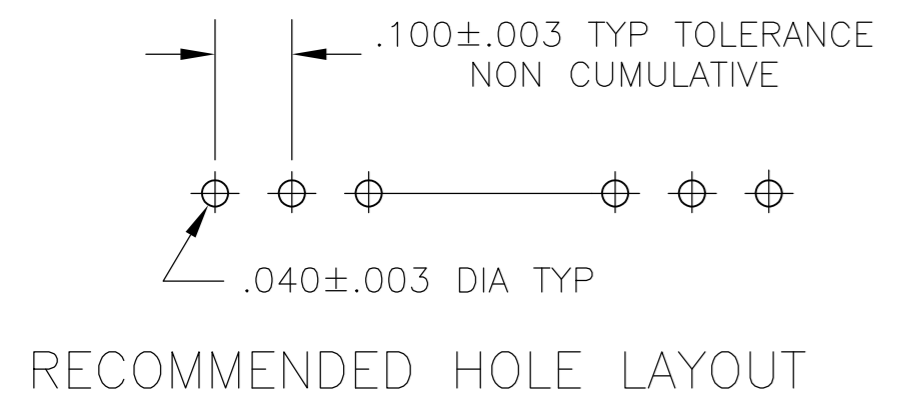
LOC		DIST		REVISIONS				
P	LTR	DESCRIPTION			DATE	DWN	APVD	
AD	00	P3	REVISED PER ECO-12-008133	30APR12	HMR	MM		



- 1 .000030 GOLD IN THE CONTACT AREA, .000100-.000200 MATTE TIN-LEAD ON THE SOLDER TAIL, ALL OVER .000050 NICKEL
- 2 POINT OF MEASUREMENT FOR PLATING THICKNESS
- 3 THESE DIMENSIONS APPLY WHERE THE POST INTERSECTS THE HOUSING
- 4 ON ASSEMBLIES WITH FOUR OR MORE POSITIONS, TWO POLARIZATION SLOTS. ON ASSEMBLIES WITH TWO OR THREE POSITIONS, ONE POLARIZATION SLOT.
- 5 SELECT POST TAILS FORMED TO PROVIDE CONNECTOR HOLD DOWN UNTIL SOLDERED. CONFIGURATION ACCEPTS .027-.080 THICK PRINTED CIRCUIT BOARD. (SEE DETAIL Z)
- 6 .000030 GOLD IN THE CONTACT AREA, .000100-.000200 MATTE TIN ON THE SOLDER TAIL, ALL OVER .000050 NICKEL
- 7 HIGH TEMPERATURE CONFIGURATION
- 8 STANDOFFS NOT PRESENT ON UNDERSIDE OF ASSEMBLY
- 9 OBSOLETE PARTS: OBSOLETE CIS STREAMLINING PER D.RENAUD/D.SINISI



SECTION X-X



DETAIL Z
 POST DETAIL TYP
 2 POST MINIMUM

REMARKS	PLATING	D	C	B	A	NO OF POSN	ASSEMBLY PART NUMBER				
	9	7	8	6	6	2.600	2.520	2.400	24	25	7-103908-4
	9	7	8	6	6	2.500	2.420	2.300	23	24	7-103908-3
	9	7	8	6	6	2.400	2.320	2.200	22	23	7-103908-2
	9	7	8	6	6	2.300	2.220	2.100	21	22	7-103908-1
	9	7	8	6	6	2.200	2.120	2.000	20	21	7-103908-0
	9	7	8	6	6	2.100	2.020	1.900	19	20	6-103908-9
	9	7	8	6	6	2.000	1.920	1.800	18	19	6-103908-8
	9	7	8	6	6	1.900	1.820	1.700	17	18	6-103908-7
	9	7	8	6	6	1.800	1.720	1.600	16	17	6-103908-6
	7	8	6	6	6	1.700	1.620	1.500	15	16	6-103908-5
	7	8	6	6	6	1.600	1.520	1.400	14	15	6-103908-4
	7	8	6	6	6	1.500	1.420	1.300	13	14	6-103908-3
	7	8	6	6	6	1.400	1.320	1.200	12	13	6-103908-2
	7	8	6	6	6	1.300	1.220	1.100	11	12	6-103908-1
	7	8	6	6	6	1.200	1.120	1.000	10	11	6-103908-0
	7	8	6	6	6	1.100	1.020	.900	9	10	5-103908-9
	7	8	6	6	6	1.000	.920	.800	8	9	5-103908-8
	7	8	6	6	6	.900	.820	.700	7	8	5-103908-7
	7	8	6	6	6	.800	.720	.600	6	7	5-103908-6
	7	8	6	6	6	.700	.620	.500	5	6	5-103908-5
	7	8	6	6	6	.600	.520	.400	4	5	5-103908-4
	7	8	6	6	6	.500	.420	.300	3	4	5-103908-3
	7	8	6	6	6	.400	.320	.200	2	3	5-103908-2
	7	8	6	6	6	.300	.220	.100	1	2	5-103908-1
	9		1	1	1	2.600	2.520	2.400	24	25	2-103908-4
	9		1	1	1	2.500	2.420	2.300	23	24	2-103908-3
	9		1	1	1	2.400	2.320	2.200	22	23	2-103908-2
	9		1	1	1	2.300	2.220	2.100	21	22	2-103908-1
	9		1	1	1	2.200	2.120	2.000	20	21	2-103908-0
	9		1	1	1	2.100	2.020	1.900	19	20	1-103908-9
	9		1	1	1	2.000	1.920	1.800	18	19	1-103908-8
	9		1	1	1	1.900	1.820	1.700	17	18	1-103908-7
	9		1	1	1	1.800	1.720	1.600	16	17	1-103908-6
	9		1	1	1	1.700	1.620	1.500	15	16	1-103908-5
		1	1	1	1	1.600	1.520	1.400	14	15	1-103908-4
		1	1	1	1	1.500	1.420	1.300	13	14	1-103908-3
		1	1	1	1	1.400	1.320	1.200	12	13	1-103908-2
		1	1	1	1	1.300	1.220	1.100	11	12	1-103908-1
		1	1	1	1	1.200	1.120	1.000	10	11	1-103908-0
		1	1	1	1	1.100	1.020	.900	9	10	103908-9
		1	1	1	1	1.000	.920	.800	8	9	103908-8
		1	1	1	1	.900	.820	.700	7	8	103908-7
		1	1	1	1	.800	.720	.600	6	7	103908-6
		1	1	1	1	.700	.620	.500	5	6	103908-5
		1	1	1	1	.600	.520	.400	4	5	103908-4
		1	1	1	1	.500	.420	.300	3	4	103908-3
		1	1	1	1	.400	.320	.200	2	3	103908-2
		1	1	1	1	.300	.220	.100	1	2	103908-1

THIS DRAWING IS A CONTROLLED DOCUMENT.

DWN H MOLL 7-28-86
 CHK PC deJONG 7-28-86
 APVD PC deJONG 7-28-86

TE Connectivity

NAME: HEADER ASSY, AMPMODU MTE, VERTICAL, SINGLE ROW, .100 CL, .025 SQ POSTS WITH LATCH & RETENTIVE POSTS

SIZE: A2 CAGE CODE: 00779 DRAWING NO: 103908

WEIGHT: -

SCALE: 4:1 SHEET: 1 of 1 REV: P3

RESTRICTED TO: -