

Distributed by:

**JAMECO**<sup>®</sup>  
ELECTRONICS

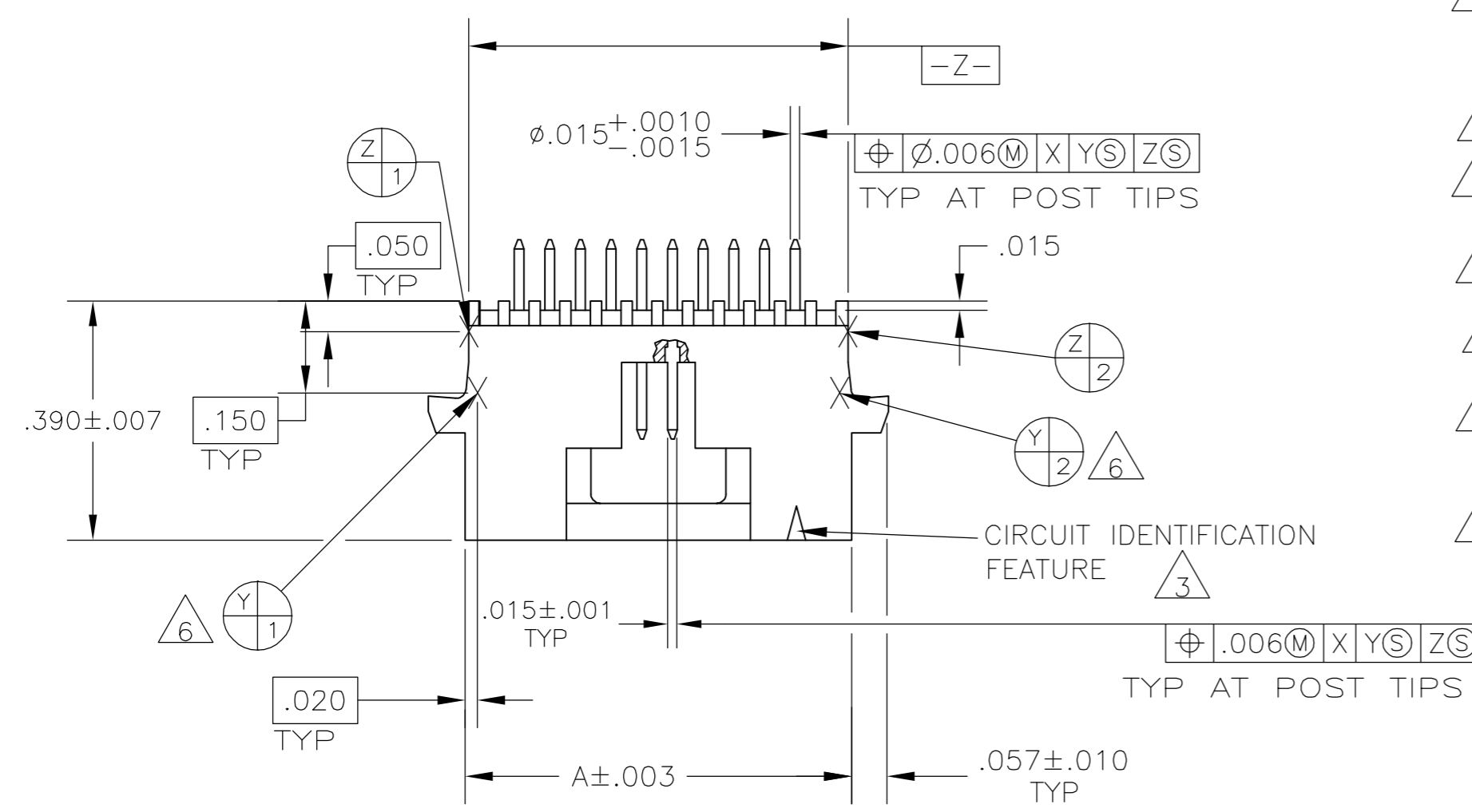
**www.Jameco.com ♦ 1-800-831-4242**

The content and copyrights of the attached  
material are the property of its owner.

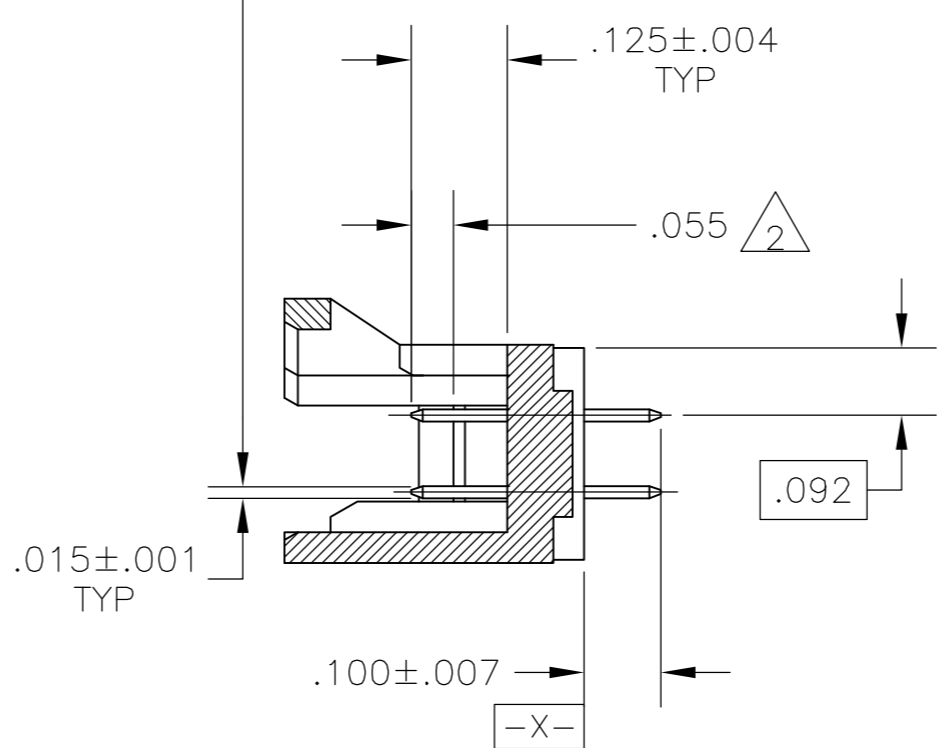
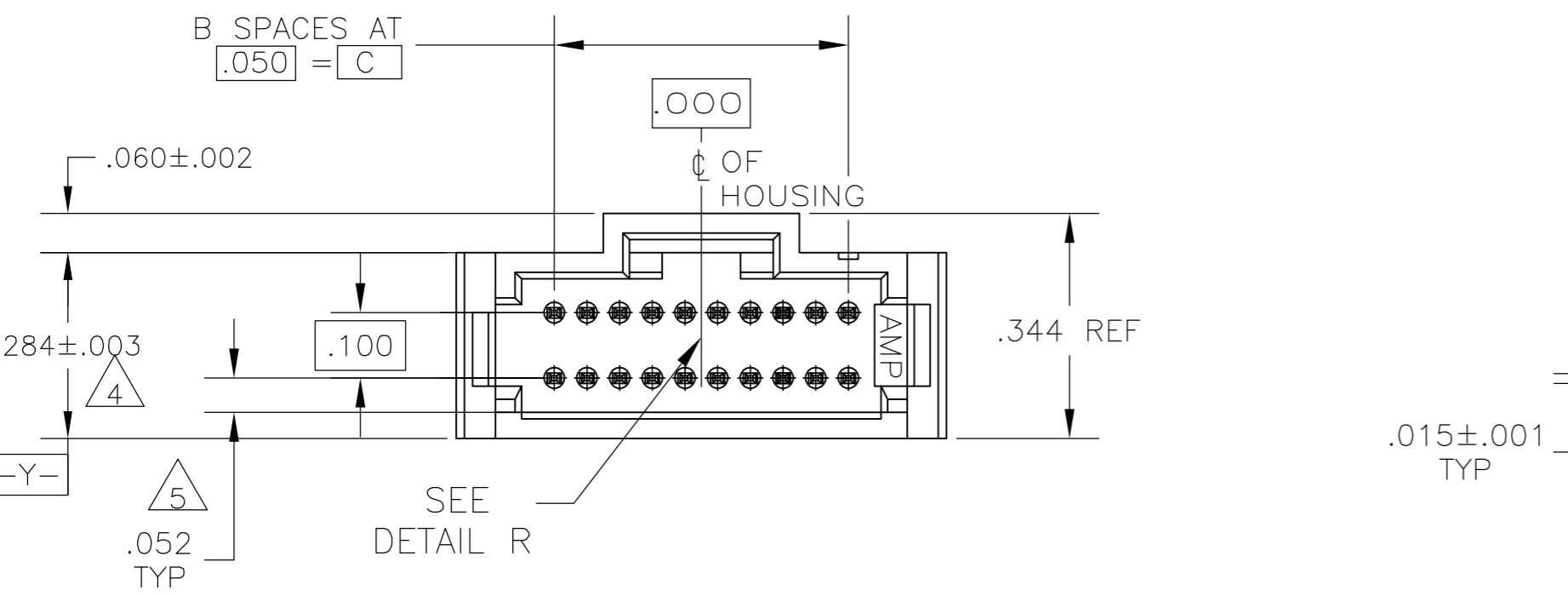
Jameco Part Number 1972653

THIS DRAWING IS UNPUBLISHED. RELEASED FOR PUBLICATION  
 © COPYRIGHT BY TYCO ELECTRONICS CORPORATION. ALL RIGHTS RESERVED.

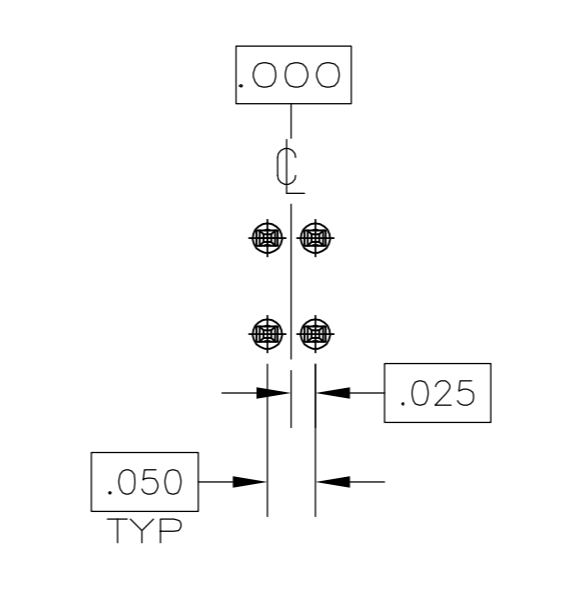
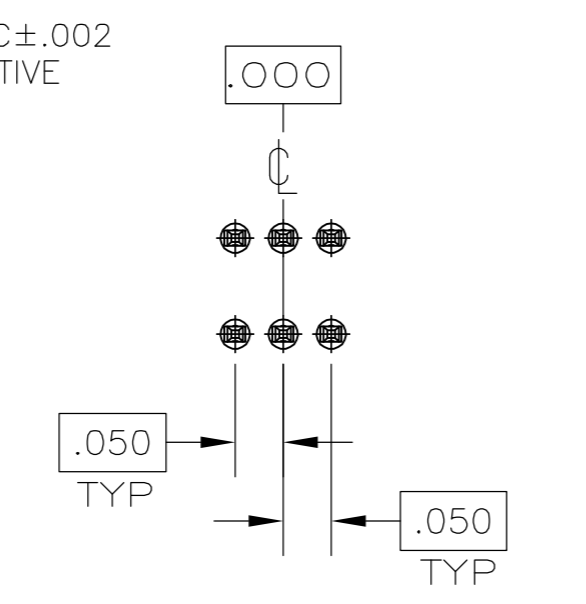
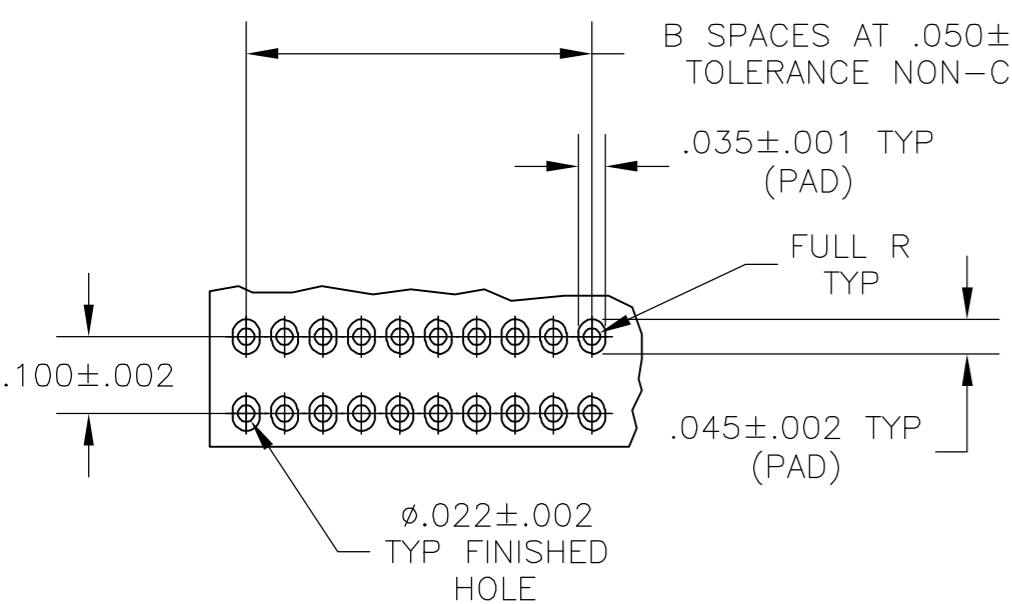
LOC		DIST		REVISIONS			
AD	00	P	LTR	DESCRIPTION	DATE	DWN	APVD
		N		ECR-05-000991, ECR-05-003293	01JUN05	MB	DLS



- 1 CONTACT AREA PLATED WITH .000030 MIN GOLD; SOLDER TAILS PLATED WITH .000150 MIN TIN-LEAD, ALL OVER .000050 MIN NICKEL
- 2 POINT OF MEASUREMENT FOR PLATING THICKNESS
- 3 CIRCUIT IDENTIFICATION FEATURE OMITTED ON 8,10,12 AND 14 POSN HEADER ASSEMBLIES
- 4 DIMENSION APPLIES AT BASE OF SHROUD
- 5 THE NOTED DIMENSIONS APPLY AT THE INTERSECTION OF THE POST AND HOUSING
- 6  $\begin{matrix} Y \\ 3 \end{matrix}$   $\begin{matrix} Y \\ 4 \end{matrix}$  ARE LOCATED THE SAME AS  $\begin{matrix} Y \\ 1 \end{matrix}$   $\begin{matrix} Y \\ 2 \end{matrix}$  EXCEPT ON OPPOSITE SIDE OF HOUSING.
- 7 CONTACT AREA PLATED WITH .000030 MIN. GOLD; SOLDER TAILS PLATED WITH .000150 MIN TIN; ALL OVER .000050 MIN NICKEL



PRELIMINARY	$\begin{matrix} Z \\ 1 \end{matrix}$ $\begin{matrix} Z \\ 2 \end{matrix}$	1.650	33	1.830	68	6-104068-8	
		2.450	49	2.630	100	6-104068-7	
		1.950	39	2.130	80	6-104068-6	
		1.750	35	1.930	72	6-104068-5	
		1.050	21	1.230	44	6-104068-4	
		.800	16	.980	34	6-104068-3	
		.600	12	.780	26	6-104068-2	
		.550	11	.730	24	6-104068-1	
		.350	7	.530	16	6-104068-0	
		.300	6	.480	14	5-104068-9	
OBSOLETE	$\begin{matrix} Z \\ 1 \end{matrix}$ $\begin{matrix} Z \\ 2 \end{matrix}$	.250	5	.430	12	5-104068-8	
		.150	3	.330	8	5-104068-7	
		1.450	29	1.630	60	5-104068-6	
		1.200	24	1.380	50	5-104068-5	
		.950	19	1.130	40	5-104068-4	
		.700	14	.880	30	5-104068-3	
		.200	4	.380	10	5-104068-2	
		.450	9	.630	20	5-104068-1	
	FINISH	$\begin{matrix} Z \\ 1 \end{matrix}$ $\begin{matrix} Z \\ 2 \end{matrix}$	1.650	33	1.830	68	1-104068-8
			2.450	49	2.630	100	1-104068-7
		1.950	39	2.130	80	1-104068-6	
		1.750	35	1.930	72	1-104068-5	
		1.050	21	1.230	44	1-104068-4	
		.800	16	.980	34	1-104068-3	
		.600	12	.780	26	1-104068-2	
		.550	11	.730	24	1-104068-1	
		.350	7	.530	16	1-104068-0	
		.300	6	.480	14	104068-9	
	.250	5	.430	12	104068-8		
	.150	3	.330	8	104068-7		
	1.450	29	1.630	60	104068-6		
	1.200	24	1.380	50	104068-5		
	.950	19	1.130	40	104068-4		
	.700	14	.880	30	104068-3		
	.200	4	.380	10	104068-2		
	.450	9	.630	20	104068-1		
	FINISH	C	B	A	NO OF POS	PART NUMBER	



BASIC DIMENSIONS FOR EVEN NO OF SPACES (SEE TABLE)

BASIC DIMENSIONS FOR ODD NO OF SPACES (SEE TABLE)

DETAIL R

THIS DRAWING IS A CONTROLLED DOCUMENT.		DWN	10-3-88	Tyco Electronics Corporation Harrisburg, Pa 17105-3608			
DIMENSIONS: INCHES		CHK	10-3-88				
TOLERANCES UNLESS OTHERWISE SPECIFIED:		APVD	10-3-88				
0 PLC ± - 1 PLC ± - 2 PLC ± - 3 PLC ± - 4 PLC ± - ANGLES ± - FINISH SEE TABLE		NAME	108-1093				
MATERIAL: HOUSING: THERMOPLASTIC COLOR-BLACK POST: COPPER ALLOY		PRODUCT SPEC	114-25031	HEADER ASSEMBLY, VERTICAL SHROUDED, DOUBLE ROW W/SIDE & END LATCHES, AMPMODU System 50			
		APPLICATION SPEC	114-25031	SIZE	CAGE CODE	DRAWING NO	RESTRICTED TO
		WEIGHT	-	A2	00779	C=104068	-
		CUSTOMER DRAWING		SCALE	4:1	SHEET	1 OF 1
						REV	N