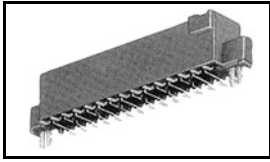


## 5-104652-2 Product Details

[Share](#) [Print](#) [Email](#)




5-104652-2

TE Internal Number: 5-104652-2

 Active

[View 3D PDF](#)

### .050 Inch AMPMODU 50/50 Grid

 Always EU RoHS/ELV Compliant  
(Statement of Compliance)

#### Product Highlights:

- Connector Assembly
- Connector Style = Receptacle
- 20 Positions
- Vertical Mount Angle
- With PCB Mount Retention

[View all Features](#)

### Quick Links

- ▶ [Pricing & Availability](#)
- ▶ [Search for Tooling](#)
- ▶ [View Mating Products \(16\)](#)
- ▶ [Product Feature Selector](#)
- ▶ [Contact Us About This Product](#)

[Add to My Part List](#)

[Request Sample](#)

[Find Similar Products](#)

[Buy Product](#)

### Documentation & Additional Information

#### Product Drawings:

- [ASSEMBLY, RECEPTACLE, VERTICAL,DOUBLE ROW, SURFACE M...](#) (PDF, English)

#### Catalog Pages/Data Sheets:

- [AMPMODU\\_INTERCONNECTION\\_SYSTEM\\_SECTION1AND2](#) (PDF, English)
- [2-1773454-6\\_Stacking\\_Connectors](#) (PDF, English)
- [Ribbon Cable Interconnect Solutions](#) (PDF, English)
- [Fine Pitch Stacking Connectors - 1.27mm AMPMODU 50/5...](#) (PDF, English)

#### Product Specifications:

- None Available

#### Application Specifications:

- [AMPMODU 50/50 Grid Connectors for SMT PC Board and I...](#) (PDF, English)

#### Instruction Sheets:

- None Available

#### CAD Files: (CAD Format & Compression Information)

- [2D Drawing](#) (DXF, Version L)
- [3D Model](#) (IGES, Version L)
- [3D Model](#) (STEP, Version L)

[List all Documents](#)

#### Additional Information:

- [Product Line Information](#)

#### Related Products:

- [Tooling](#)
- [Mating Products \(16\)](#)

### Product Features (Please use the Product Drawing for all design activity)

#### Product Type Features:

- Connector Type = Connector Assembly
- Mount Angle = Vertical
- PCB Mount Retention = With
- PCB Mount Retention Type = Hold Down Post(s)
- Mating Connector Lock = Without

#### Electrical Characteristics:

- Insulation Resistance (MΩ) = 5,000
- Voltage (VAC) = 30
- Dielectric Withstanding Voltage (V) = 300
- Contact - Rated Current (A) = 1 - 4

#### Configuration Features:

- Number of Positions = 20

#### Industry Standards:

- RoHS/ELV Compliance = RoHS compliant, ELV compliant
- Lead Free Solder Processes = Reflow solder capable to 245°C, Reflow solder capable to 260°C
- RoHS/ELV Compliance History = Always was RoHS compliant
- Approved Standards = UL E28476, CSA LR7189
- UL Flammability Rating = UL 94V-0

**Body Features:**

- Hold-Down Post Material = Copper Alloy
- Hold-Down Post Plating = Tin (150) over Nickel (50)

**Contact Features:**

- Contact Base Material = Copper Alloy
- Contact Plating, Mating Area, Material = Gold (30)
- Solder Tail Contact Plating = Tin (150) over Nickel (50)
- Underplate Material = Nickel

**Housing Features:**

- Connector Style = Receptacle
- [Mating Alignment](#) = With
- Mating Alignment Type = Polarizing Tab
- Housing Material = Thermoplastic - GF
- Housing Color = Black

**Conditions for Usage:**

- Temperature Range (°C) = -65 - +105

**Packaging Features:**

- Packaging Method = Tube

**Other:**

- Brand = AMP

**Corporate Information**

[About TE](#)  
[Investors](#)  
[News Room](#)  
[Supplier Portal](#)  
[Careers](#)  
[Terms & Conditions](#)  
[Privacy Policy](#)  
[AODA Accessibility Policy](#)  
[AODA Multi-Year Accessibility Plan](#)

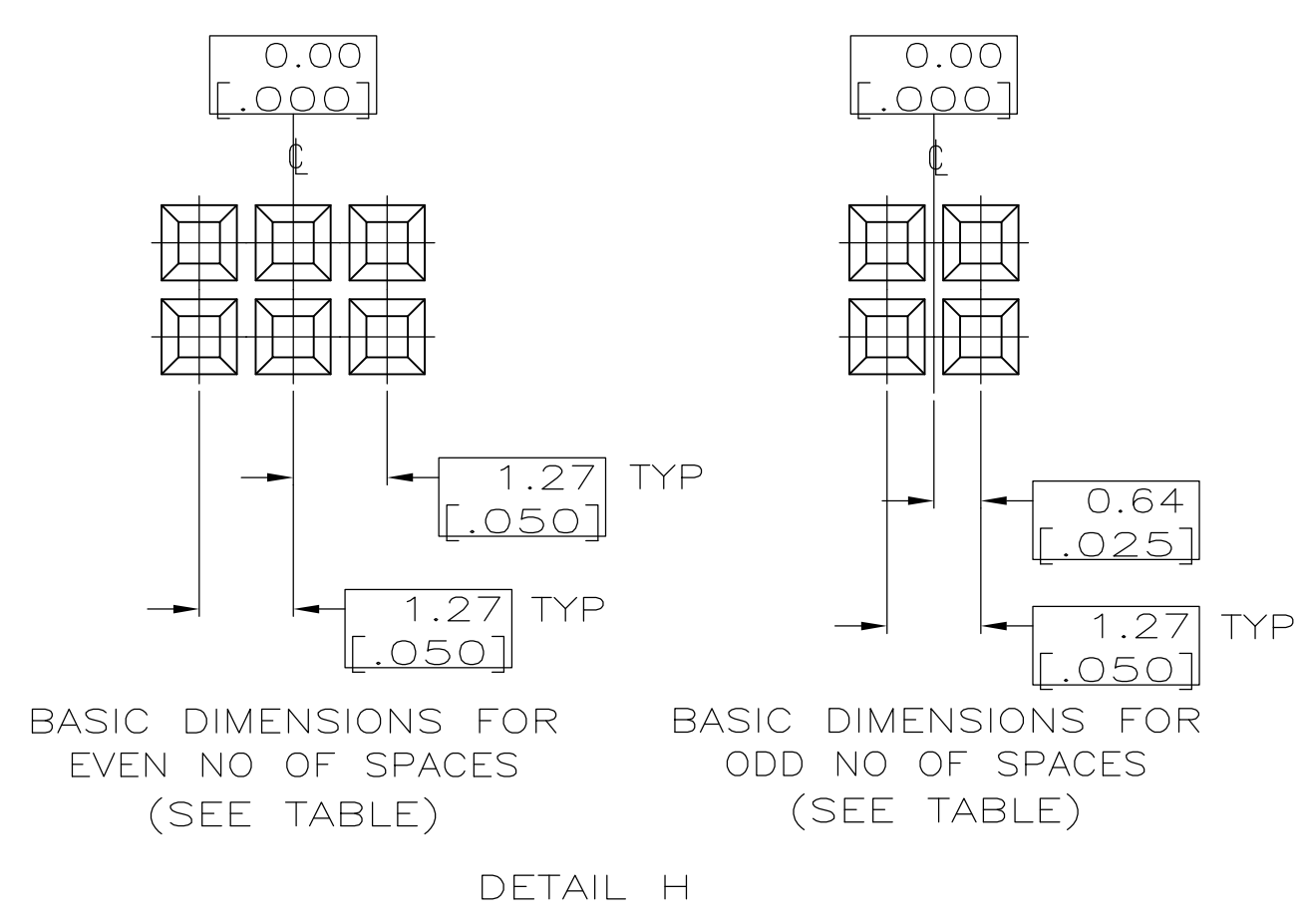
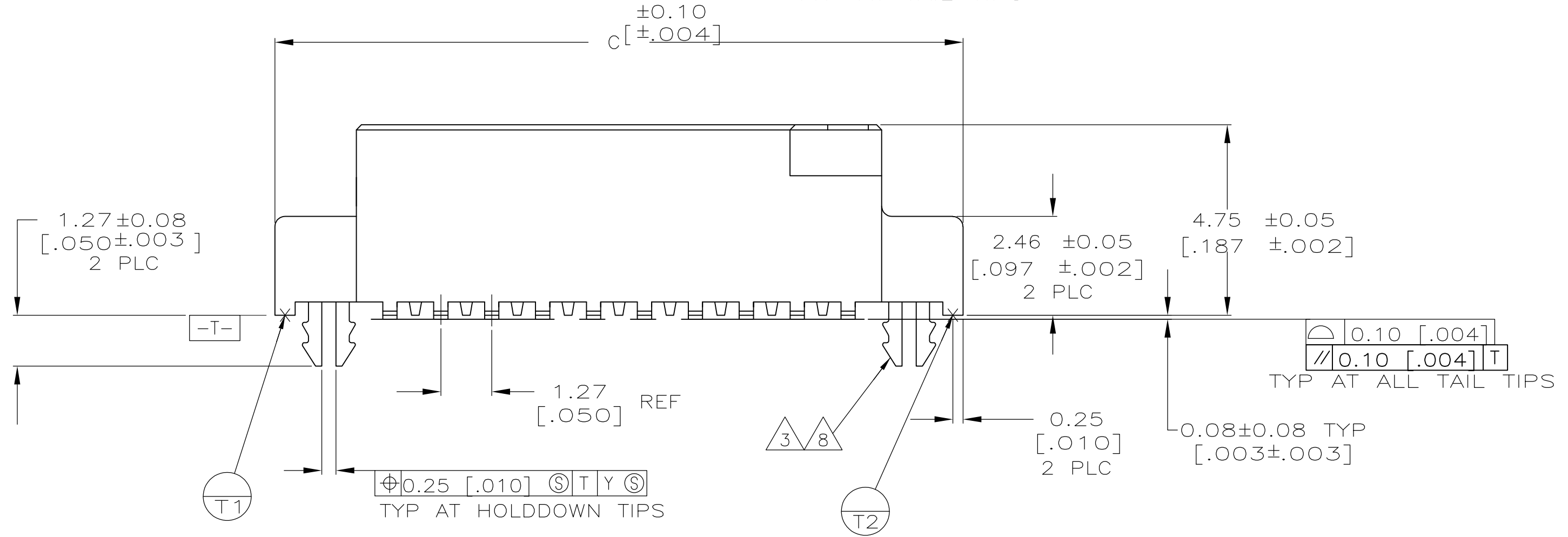
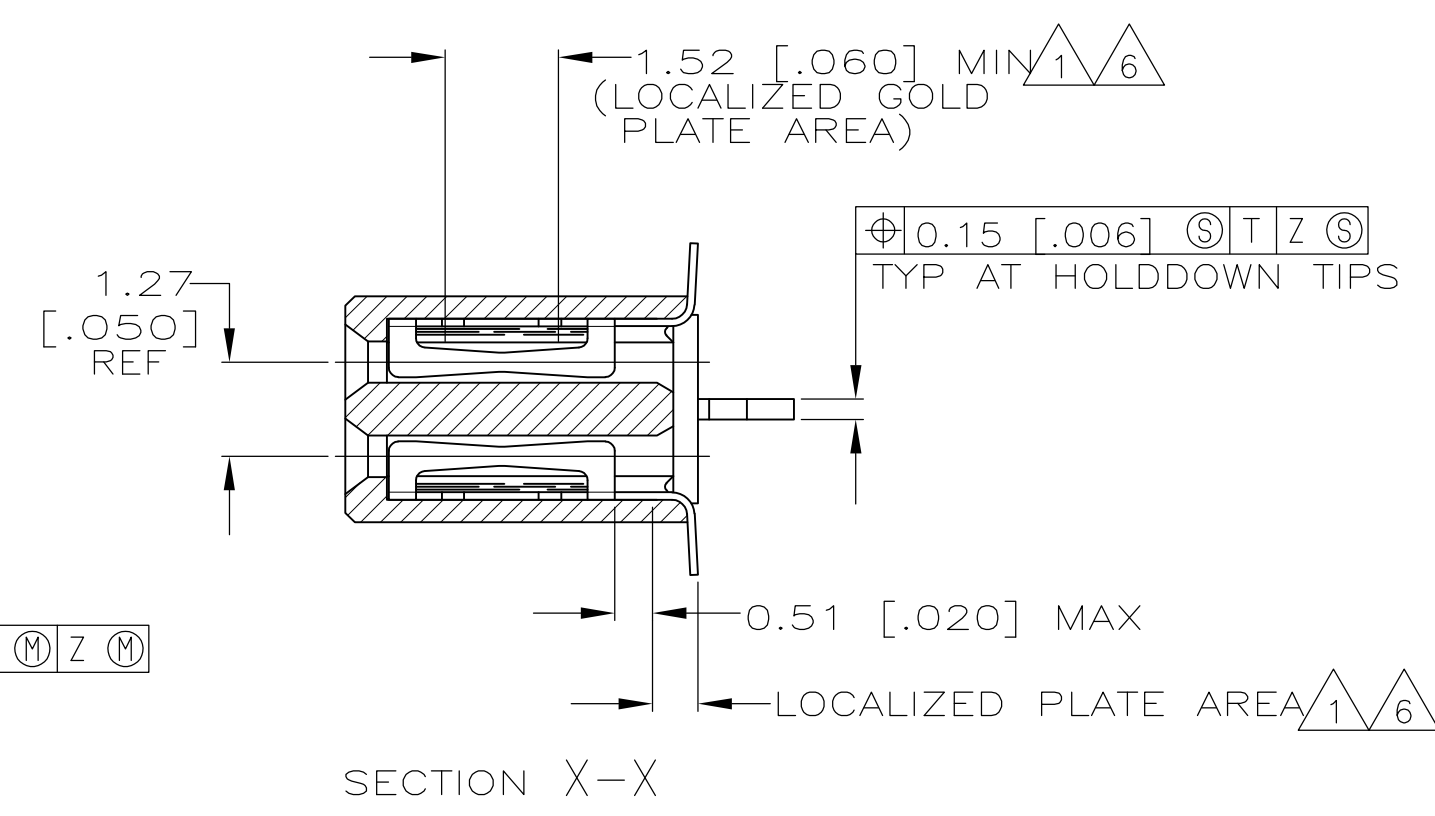
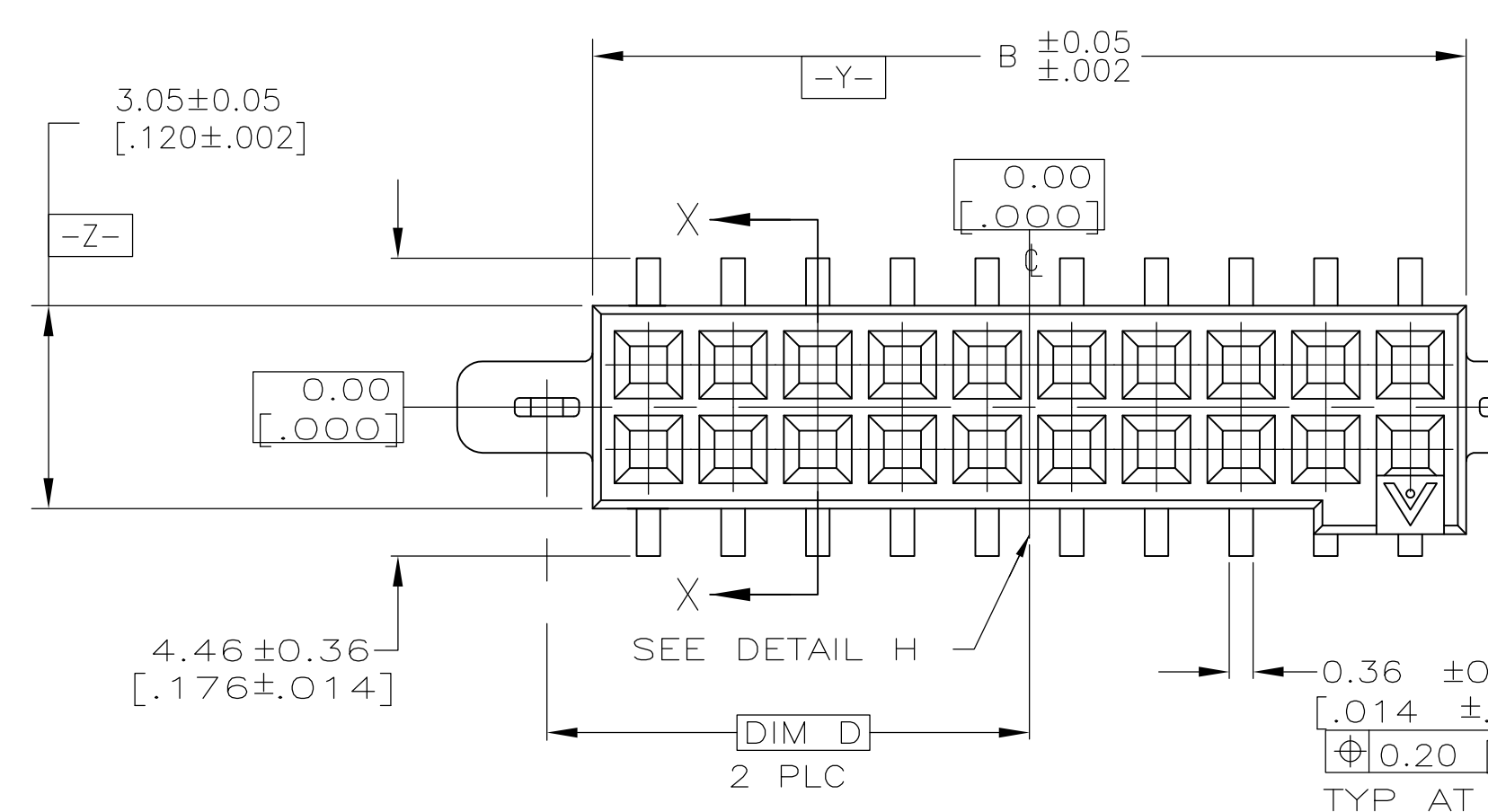
**Quick Links**

[Distributor Inventory](#)  
[Product Cross Reference](#)  
[Documents & Drawings](#)  
[Product Compliance Support Center](#)  
[Site Map](#)

**Customer Support**

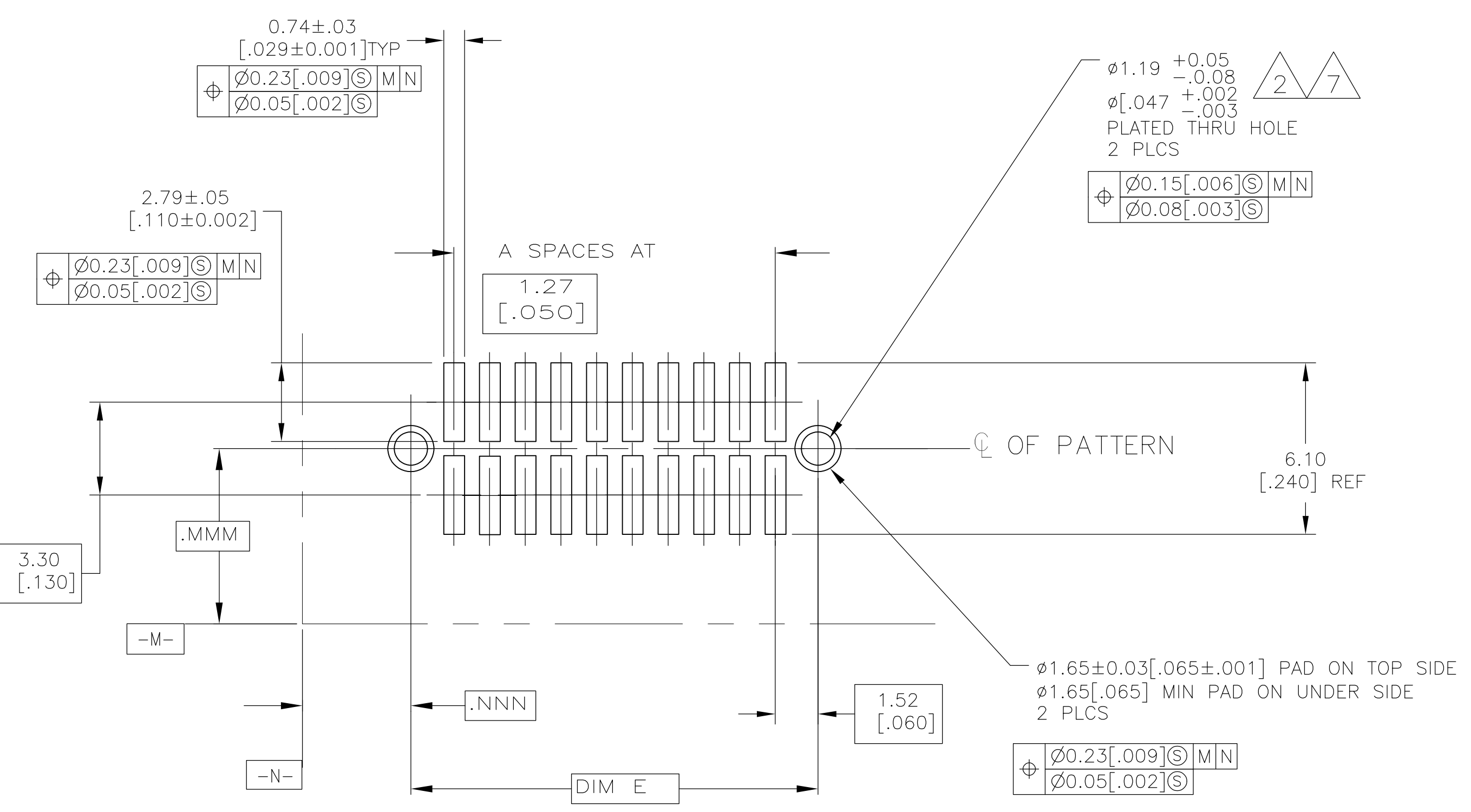
[Email or Chat With Us](#)  
[Find a Phone Number](#)  
[Knowledge Base](#)  
[Manage Your Account](#)

**Keep Me Informed**



- 1 0.00076 [.000030] GOLD IN LOCALIZED PLATE AREA  
0.00381 [.000150] TIN-LEAD ON SOLDER TAILS  
ALL OVER 0.00127 [.000050] NICKEL
- 2 USE 1.32±0.02 [.0520±.0010] DRILLED HOLE (#55 DRILL)  
FINISH TO BE TIN/LEAD OVER 0.02 [.001] MIN COPPER
- 3 PLATING: 0.0038 [.000150] TIN-LEAD OVER 0.00127 [.000050] NICKEL
- 4 IF PLANNING TO USE MORE THAN ONE MATING PAIR OF CONNECTORS  
TO INTERCONNECT 2 BOARDS, PLEASE REFER TO "SPACING"  
PARAGRAPH IN THE APPLICATION SPEC, #114-7010
- 5 HOUSING: LCP, COLOR:BLACK.  
CONTACT: COPPER ALLOY PER ASTM SPECIFICATION B422.  
HOLDDOWN: COPPER ALLOY PER ASTM SPECIFICATION B194.
- 6 0.00076 [.000030] GOLD IN LOCALIZED PLATE AREA  
0.00381 [.000150] TIN ON SOLDER TAILS  
ALL OVER 0.00127 [.000050] NICKEL
- 7 USE 1.32±0.02 [.0520±.0010] DRILLED HOLE (#55 DRILL)  
FINISH TO BE TIN OVER 0.02 [.001] MIN COPPER
- 8 PLATING: 0.0038 [.000150] TIN OVER 0.00127 [.000050] NICKEL
- 9 PRELIMINARY PART - NOT RELEASED FOR PRODUCTION.

6/8	11.93	5.97	14.63	10.56	7	16	6-104652-1
6/8	65.28	32.640	67.97	63.91	49	100	6-104652-0
6/8	58.93	29.46	61.62	57.56	44	90	5-104652-9
6/8	2.320	1.160	2.426	2.266	39	80	5-104652-8
6/8	52.58	26.290	55.27	51.21	34	70	5-104652-7
6/8	2.070	1.035	2.176	2.016	29	60	5-104652-6
6/8	46.23	23.11	48.92	44.86	24	50	5-104652-5
6/8	1.820	.910	1.926	1.766	19	40	5-104652-4
6/8	39.88	19.940	42.57	38.51	14	30	5-104652-3
6/8	1.570	.785	1.676	1.516	9	20	5-104652-2
6/8	33.53	16.76	36.22	32.16	4	10	5-104652-1
6/8	1.320	.660	1.426	1.266			
6/8	27.18	13.590	29.87	25.81			
6/8	1.070	.535	1.176	1.016			
6/8	20.83	10.41	23.52	19.46			
6/8	.820	.410	.926	.766			
6/8	14.48	7.240	17.17	13.11			
6/8	.570	.285	.676	.516			
6/8	8.12	4.06	10.82	6.75			
6/8	.320	.160	.426	.266			
1/3	11.93	5.97	14.63	10.56	7	16	1-104652-1
1/3	65.28	32.640	67.97	63.91	49	100	1-104652-0
1/3	58.93	29.46	61.62	57.56	44	90	104652-9
1/3	2.320	1.160	2.426	2.266	39	80	104652-8
1/3	52.58	26.290	55.27	51.21	34	70	104652-7
1/3	2.070	1.035	2.176	2.016	29	60	104652-6
1/3	46.23	23.11	48.92	44.86	24	50	104652-5
1/3	1.820	.910	1.926	1.766	19	40	104652-4
1/3	39.88	19.940	42.57	38.51	14	30	104652-3
1/3	1.570	.785	1.676	1.516	9	20	104652-2
1/3	33.53	16.76	36.22	32.16	4	10	104652-1
1/3	1.320	.660	1.426	1.266			
1/3	27.18	13.590	29.87	25.81			
1/3	1.070	.535	1.176	1.016			
1/3	20.83	10.41	23.52	19.46			
1/3	.820	.410	.926	.766			
1/3	14.48	7.240	17.17	13.11			
1/3	.570	.285	.676	.516			
1/3	8.12	4.06	10.82	6.75			
1/3	.320	.160	.426	.266			
FINISH	E	D	C	B	A	NO OF POS	PART NUMBER



RECOMMENDED BOARD LAYOUT  
SCALE: 7:1

THIS DRAWING IS A CONTROLLED DOCUMENT. DATE: 08/07/91. KATE HELM. CHK: D. GORENC. 8/12/91. NAME: ASSEMBLY, RECEPTACLE, VERTICAL, DOUBLE ROW, SURFACE MOUNT, AMPMODU 50/50 GRID CONNECTOR. PRODUCT SPEC: 108-1332. APPLICATION SPEC: 114-7010. WEIGHT: -. SIZE: A1. CAGE CODE: 00779. DRAWING NO: 104652. CUSTOMER DRAWING. SCALE: 10:1. SHEET: 1 OF 1. REV: L1.