

Distributed by:

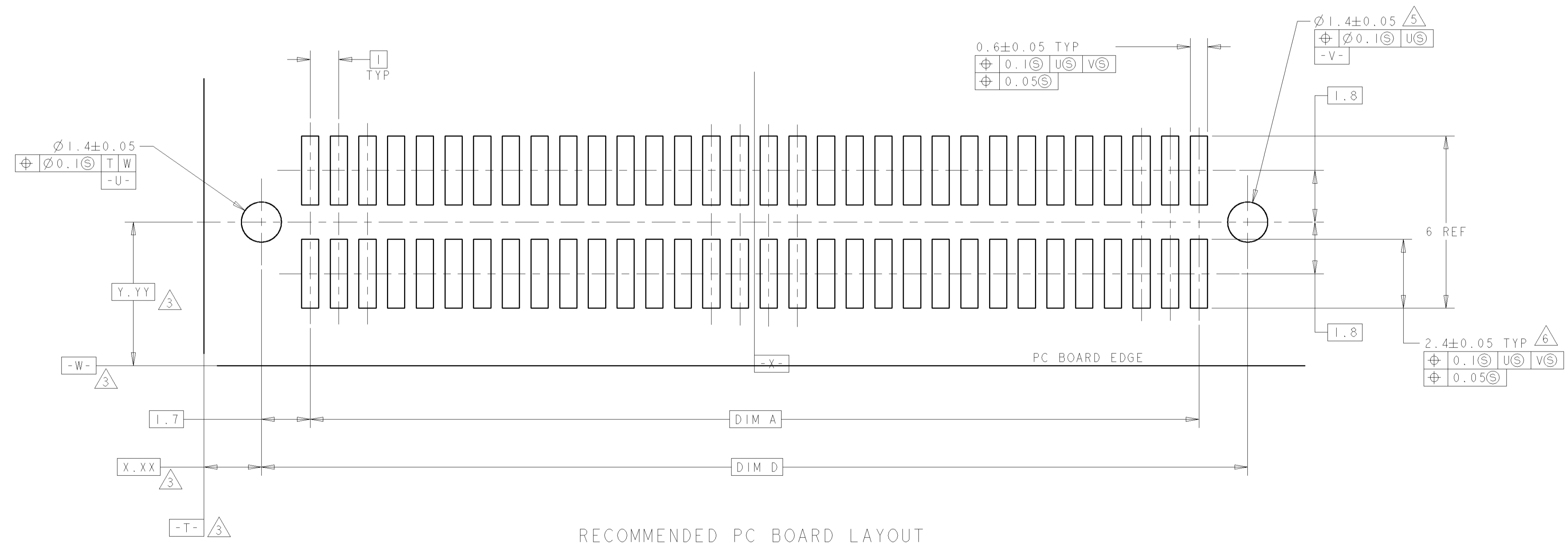
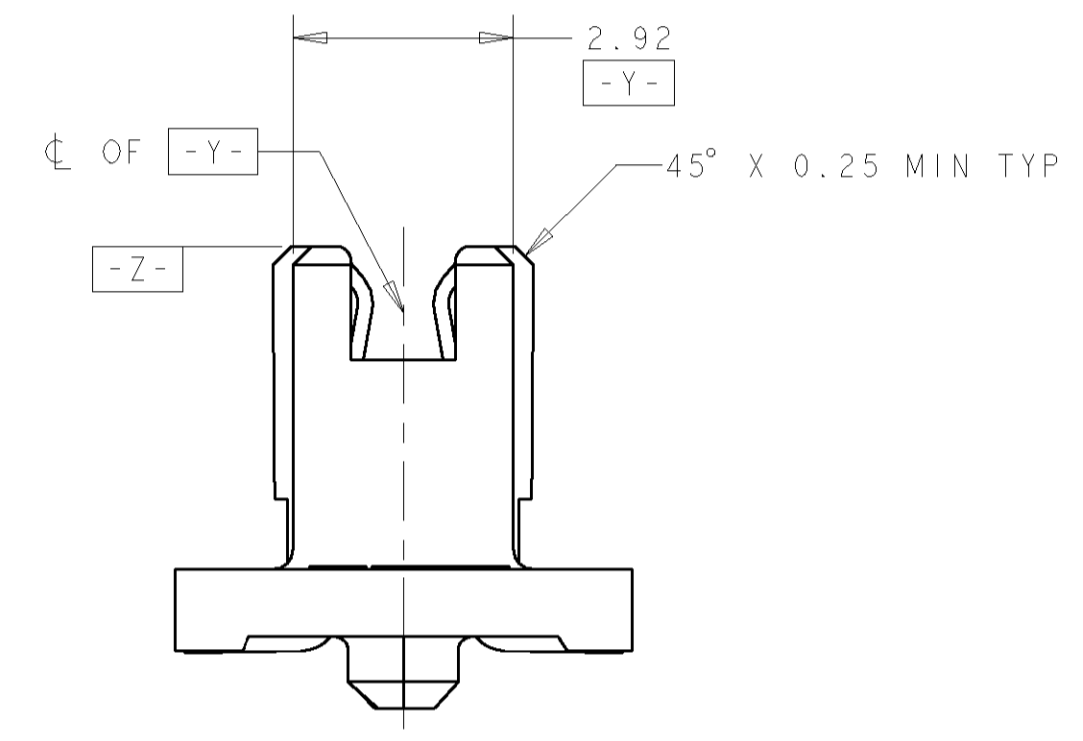
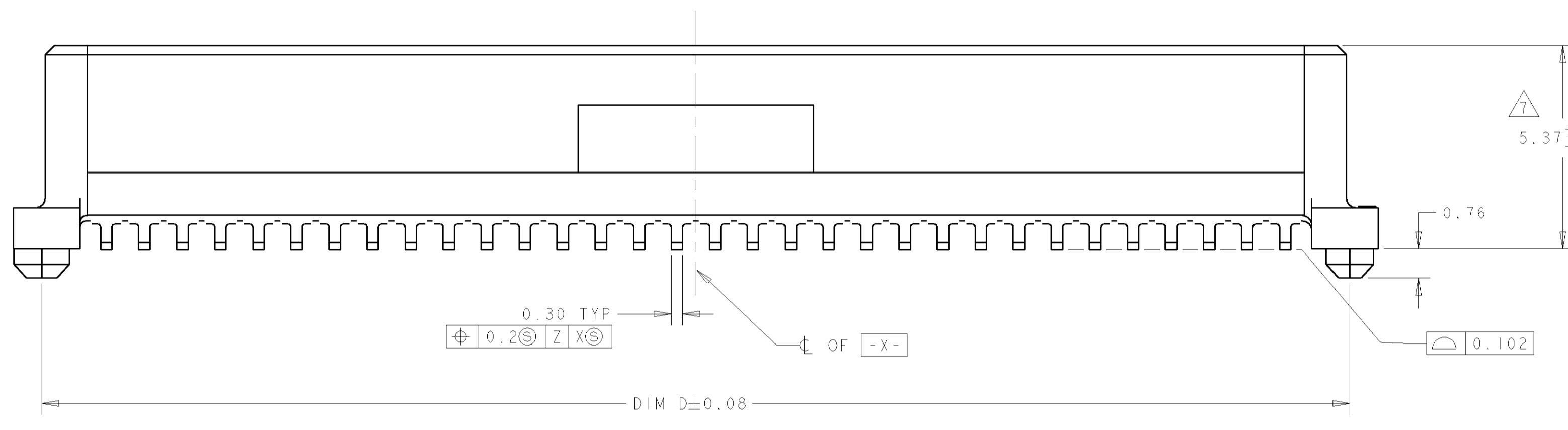
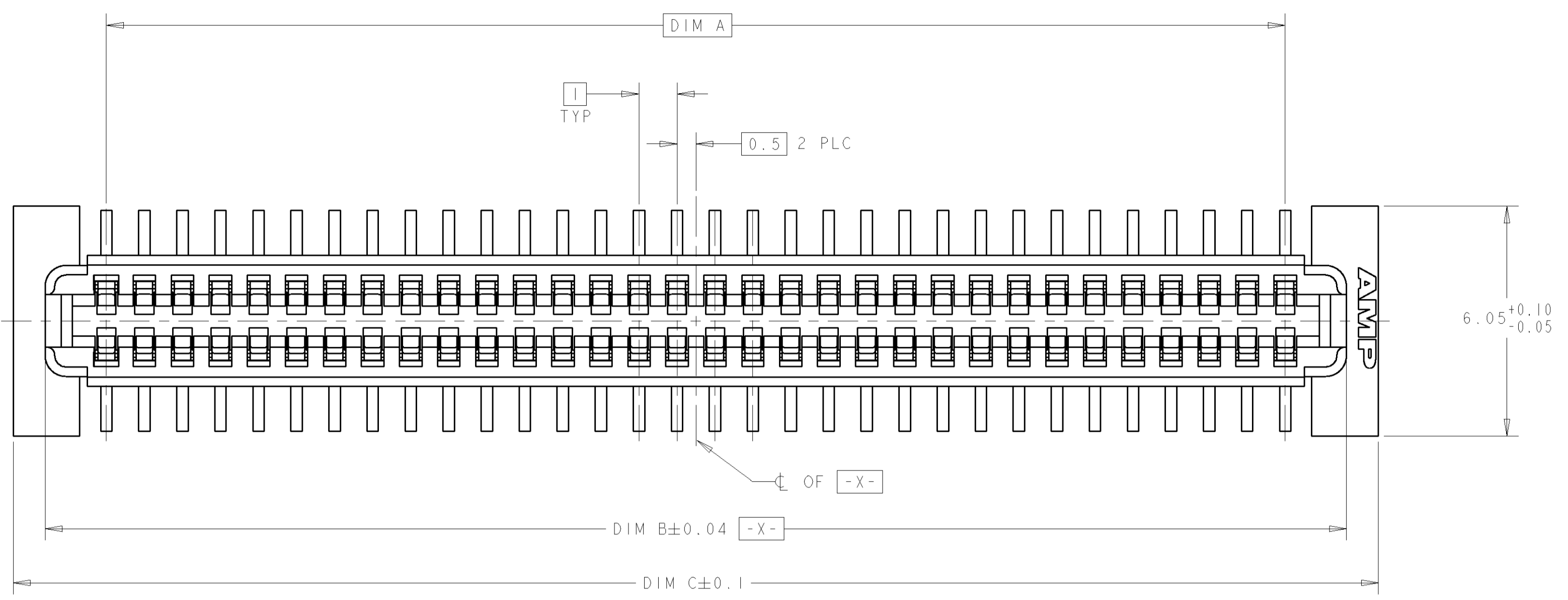
**JAMECO**<sup>®</sup>  
ELECTRONICS

**www.Jameco.com ♦ 1-800-831-4242**

The content and copyrights of the attached  
material are the property of its owner.

Jameco Part Number 1972864

LOC	DIST	P	LTR	DESCRIPTION	DATE	BY	APPD
AD	00	0		REV PER EC 0512-0235-04	29SEP2004	BC	RW



RECOMMENDED PC BOARD LAYOUT

- 1 HOUSING MATERIAL: HIGH TEMPERATURE THERMOPLASTIC, COLOR; BLACK. CONTACT MATERIAL: PHOSPHOR BRONZE.
- 2 CONTACT FINISH: 0.00381 MINIMUM MATTE TIN PER ASTM B 545 ON SOLDER AREA, 0.00076 MINIMUM GOLD PER ASTM B 488 ON MATING AREA, BOTH OVER 0.00127 MINIMUM NICKEL PER SAE-AMS-QQ-N-290 ON ENTIRE CONTACT.
- 3 DATUM LOCATIONS AND BASIC DIMENSIONS TO BE ESTABLISHED BY THE CUSTOMER. CONSULT AMP ENGINEERING WHEN PLACING MULTIPLE CONNECTORS ON A PC BOARD.
- 4 PACKAGED IN TAPE ON REEL PER EIA-481.
- 5 1.5 ± 0.05 DIAMETER HOLE SHOULD BE USED IF PLACED ON PCB WITH VACUUM PLACEMENT EQUIPMENT.
- 6 SHORTER SOLDER LANDS MAY BE USED PER EIA 700AAAB. HOWEVER 2.4 LENGTH ASSURES OPTIMUM SOLDER FILLET REGARDLESS OF MANUFACTURER OF CONNECTOR.
- 7 REFERRED TO AS DIM H = 5.30 ± 0.1 IN EIA700AAAB SPECIFICATION.
- 8 CONTACT FINISH: 0.00381 MINIMUM MATTE TIN PER ASTM B 545 ON SOLDER AREA, 0.00127 MINIMUM GOLD PER ASTM B 488 ON MATING AREA, BOTH OVER 0.00127 MINIMUM NICKEL PER SAE-AMS-QQ-N-290 ON ENTIRE CONTACT.

FINISH	DIM D	DIM C	DIM B	DIM A	MATING CONNECTOR	STACK HGTS	POS	PART NO
8	44.4	45.9	44.22	41	5120527-2	10	84	1-5120521-2
8	44.4	45.9	44.22	41	5120526-2	9	84	1-5120521-2
8	44.4	45.9	44.22	41	5120525-2	8	84	1-5120521-2
8	34.4	35.9	34.22	31	5120527-1	10	64	1-5120521-1
8	34.4	35.9	34.22	31	5120526-1	9	64	1-5120521-1
8	34.4	35.9	34.22	31	5120525-1	8	64	1-5120521-1
2	44.4	45.9	44.22	41	5120527-2	10	84	5120521-2
2	44.4	45.9	44.22	41	5120526-2	9	84	5120521-2
2	44.4	45.9	44.22	41	5120525-2	8	84	5120521-2
2	34.4	35.9	34.22	31	5120527-1	10	64	5120521-1
2	34.4	35.9	34.22	31	5120526-1	9	64	5120521-1
2	34.4	35.9	34.22	31	5120525-1	8	64	5120521-1

DIMENSIONS: mm TOLERANCES UNLESS OTHERWISE SPECIFIED: 0 PLC ± 1 PLC ±0.03 2 PLC ±0.03 3 PLC ±0.03 4 PLC ± ANGLES 40°-1°		DIMENSIONS: mm TOLERANCES UNLESS OTHERWISE SPECIFIED: 0 PLC ± 1 PLC ±0.03 2 PLC ±0.03 3 PLC ±0.03 4 PLC ± ANGLES 40°-1°		DIMENSIONS: mm TOLERANCES UNLESS OTHERWISE SPECIFIED: 0 PLC ± 1 PLC ±0.03 2 PLC ±0.03 3 PLC ±0.03 4 PLC ± ANGLES 40°-1°		DIMENSIONS: mm TOLERANCES UNLESS OTHERWISE SPECIFIED: 0 PLC ± 1 PLC ±0.03 2 PLC ±0.03 3 PLC ±0.03 4 PLC ± ANGLES 40°-1°		DIMENSIONS: mm TOLERANCES UNLESS OTHERWISE SPECIFIED: 0 PLC ± 1 PLC ±0.03 2 PLC ±0.03 3 PLC ±0.03 4 PLC ± ANGLES 40°-1°	
MATERIAL: SEE TABLE		FINISH: SEE TABLE		DWG: B. CARBO CHK: R. WERTZ APPD: R. WERTZ		29SEP04 29SEP04 29SEP04		Tyco Electronics Harrisburg, PA 17105-3608	
PRODUCT SPEC: 502-1079 APPLICATION SPEC: 114-25045		WEIGHT: -		NAME: RECEPTACLE ASSY, 1.0mm FH(IEEE1386) CONNECTOR		SIZE: A1 CAGE CODE: 00779 DRAWING NO: C=5120521		RESTRICTED TO: - REV: 0	
CUSTOMER DRAWING		SCALE: 10:1		SHEET: 1 OF 1		REV: 0		DATE: 29SEP2004	