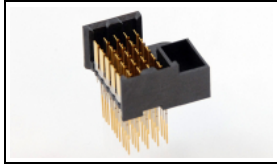


## 5120677-1 Product Details



**5120677-1**

TE Internal Number: 5120677-1



### Z-PACK HS3 Connectors and Accessories

 Always EU RoHS/ELV Compliant (Statement of Compliance)

#### Product Highlights:

- Connector
- 17.8 mm Card Slot Pitch
- Header
- Connector Style = Plug
- PCB Mounting Orientation = Vertical

### Documentation & Additional Information

#### Product Drawings:

- [HEADER ASSEMBLY, 30 POSITION, RIGHT HAND, 6 ROW, Z-P...](#) (PDF, English)

#### Catalog Pages/Data Sheets:

- [High Speed Backplane Connectors catalog - Z-PACK HS3...](#) (PDF, English)

#### Product Specifications:

- [Z-PACK HS3 Dual Beam Connector System](#) (PDF, English)

#### Application Specifications:

- None Available

#### Instruction Sheets:

- None Available

#### CAD Files: (CAD Format & Compression Information)

- [2D Drawing](#) (DXF, Version B)
- [3D Model](#) (IGES, Version B)
- [3D Model](#) (STEP, Version B)

#### Additional Information:

- [Product Line Information](#)

#### Related Products:

- [Tooling](#)
- [Mating Products \(1\)](#)

### Product Features (Please use the Product Drawing for all design activity)

#### Product Type Features:

- [Product Type](#) = Connector
- [Connector Type](#) = Header
- [PCB Mounting Orientation](#) = Vertical
- [Module Type](#) = Right
- [Guide Pin Style](#) = ESD/HDI

#### Termination Features:

- [Solder Tail Contact Plating](#) = Tin
- [Termination Post Length](#) (mm [in]) = 3.70 [0.146]

#### Dimensions:

- [Card Slot Pitch](#) (mm [in]) = 17.8 [0.7]

#### Body Features:

- [Columns per Connector](#) = 5

#### Contact Features:

- [Contact Type](#) = Pin
- [Number of Signal Contacts](#) = 30
- [Contact Style](#) = Press Fit, Short Tail
- [Contact Base Material](#) = Phosphor Bronze
- [Contact Configuration](#) = Grounding
- [Contact Mating Area Length](#) (mm [in]) = 8.20 [0.323]
- [Contact Plating, Mating Area, Material](#) = Conforms to Performance Requirements of TE Connectivity Product Specification 108-1957; Based on Telcordia GR-1217-CORE, Applications in Uncontrolled Environments

#### Housing Features:

- [Connector Style](#) = Plug
- [Centerline](#) (mm [in]) = 2.00 [0.079]
- [Housing Material](#) = Polyester GF

#### Configuration Features:

- [Rows Per Connector](#) = 6

#### Industry Standards:

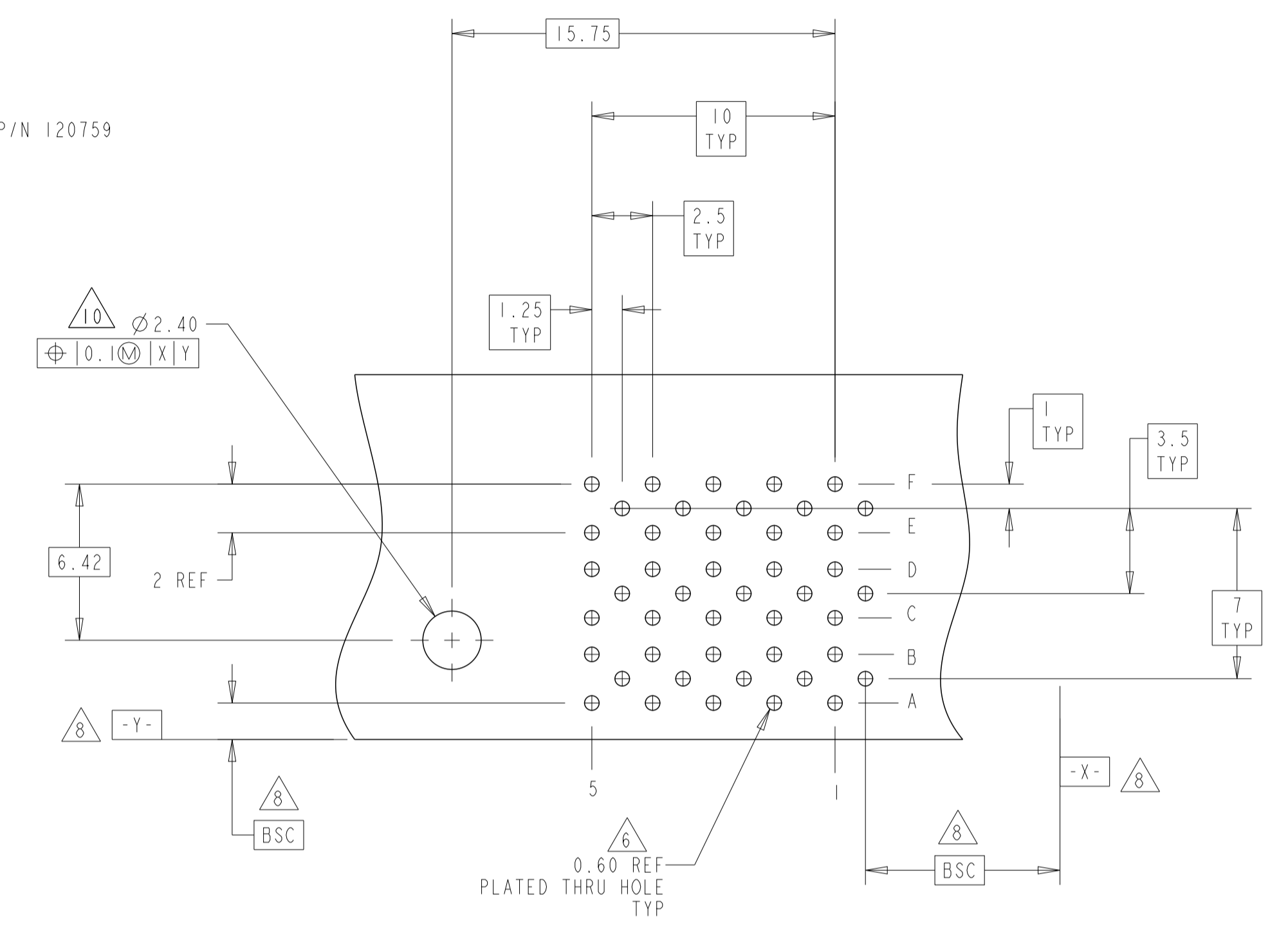
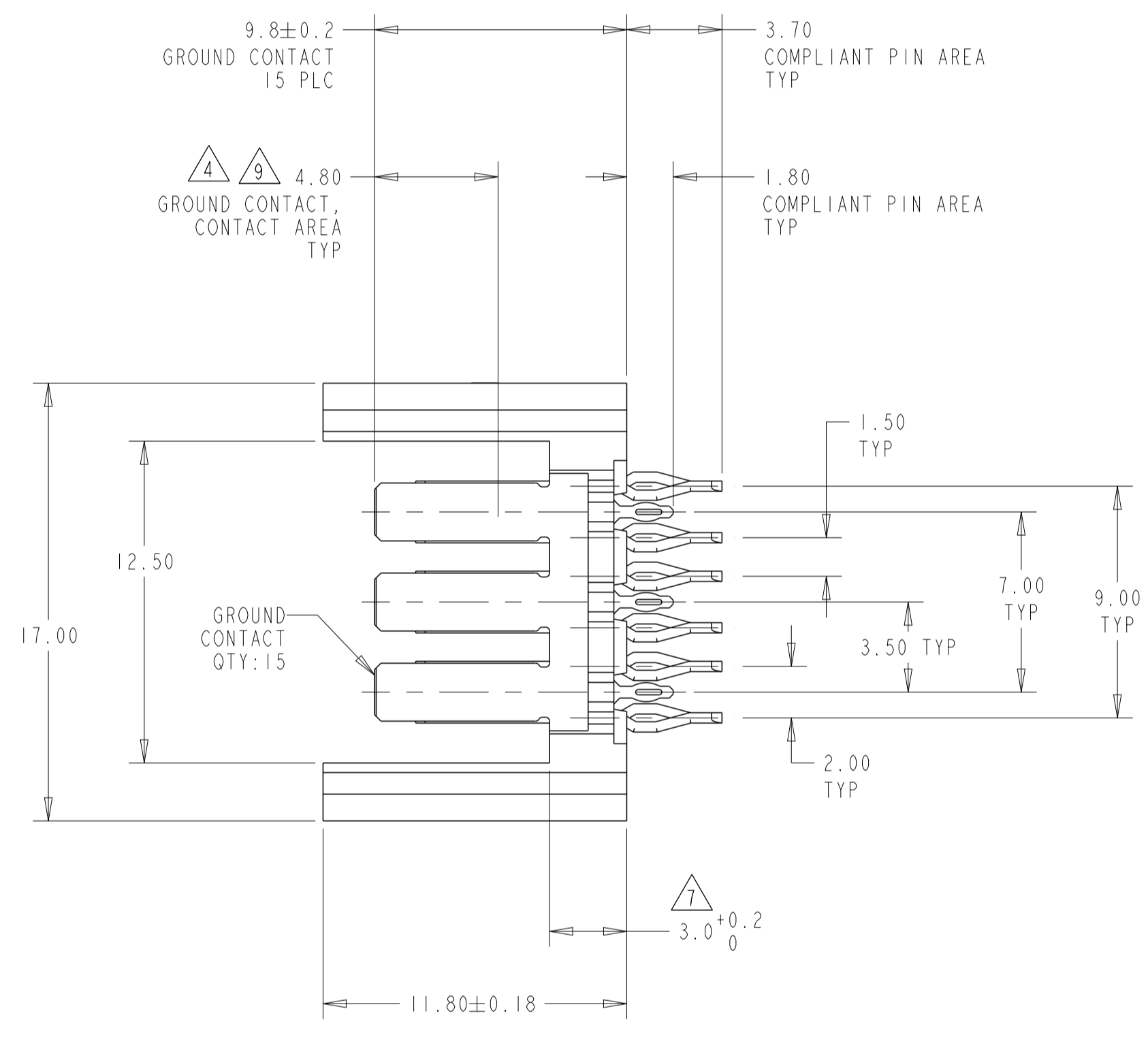
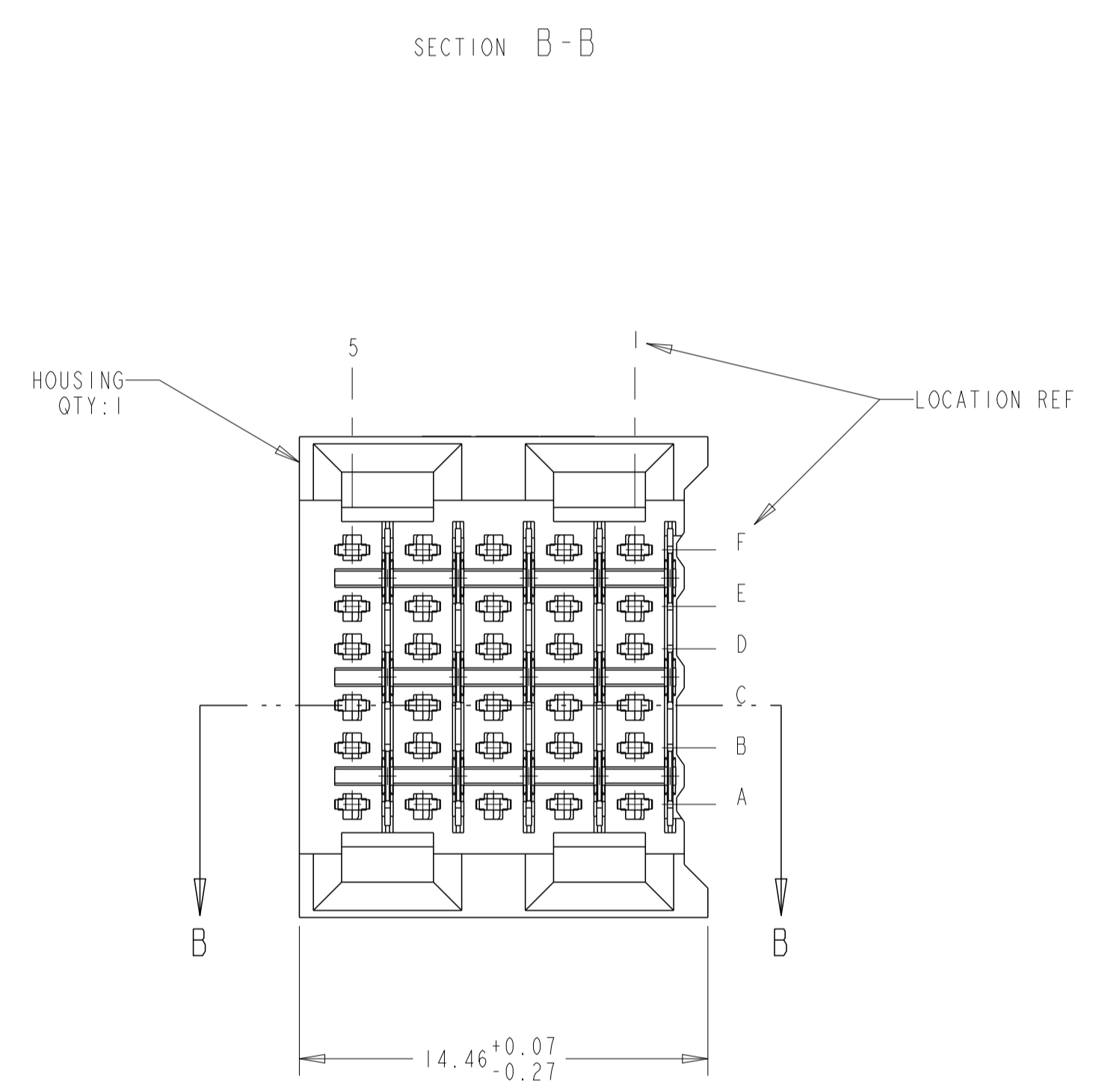
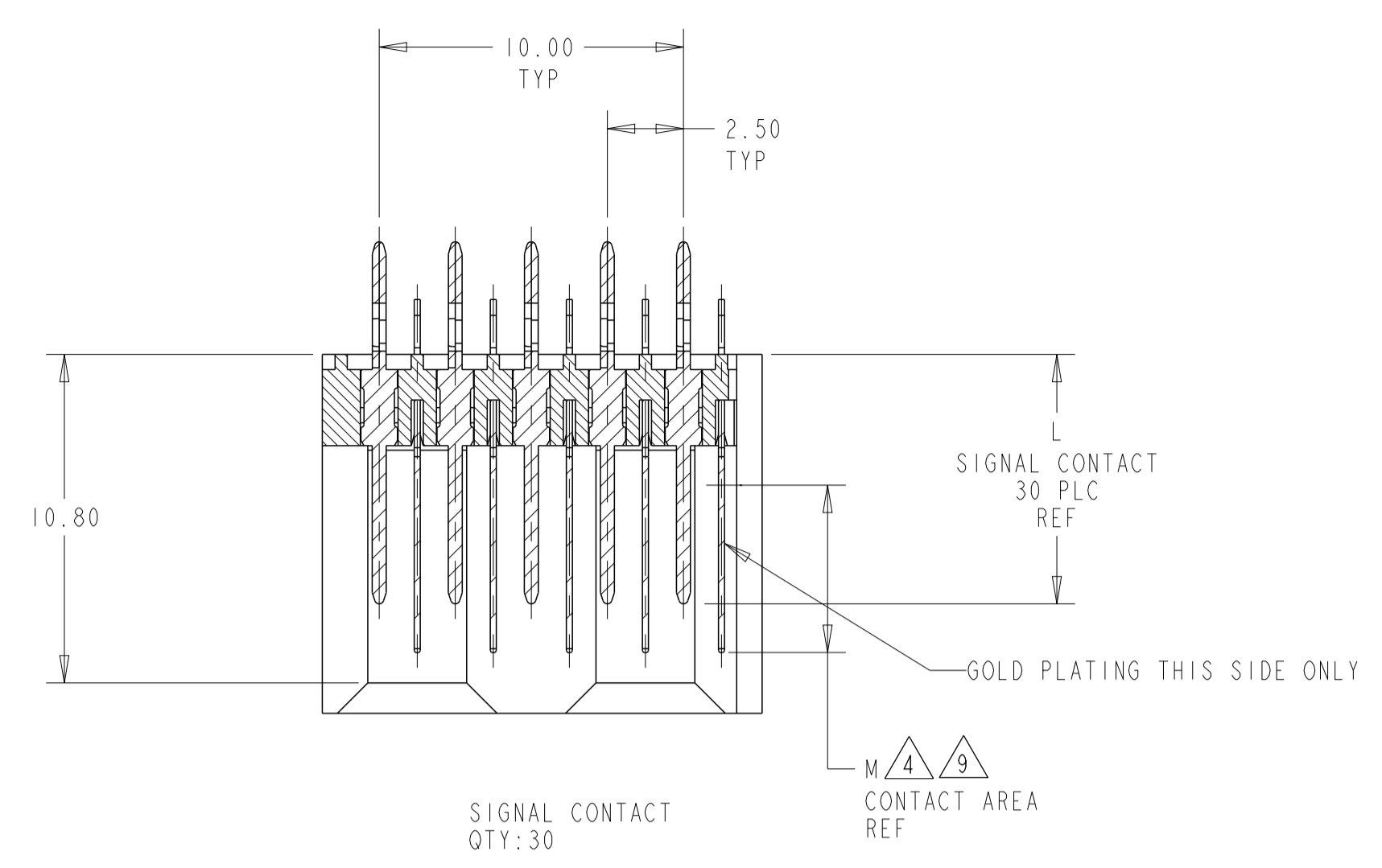
- [RoHS/ELV Compliance](#) = RoHS compliant, ELV compliant
- [Lead Free Solder Processes](#) = Not relevant for lead free process
- [RoHS/ELV Compliance History](#) = Always was RoHS compliant

#### Other:

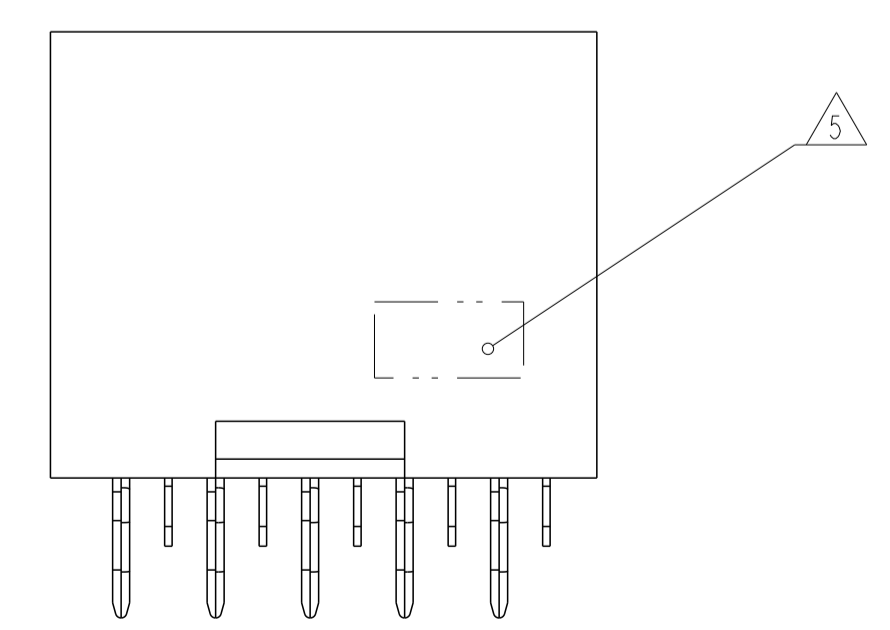
- [Brand](#) = AMP

LOC		DIST		REVISIONS			
P	LTN	DATE	DWN	APVD			
B2		28SEP2012	KH	JE	REVISED PER ECO-12-011334		

- 2 PHOSPHOR BRONZE
- 3 LCP, UL94V-0
- 4 FINISH:  
CONTACT MATING AREA MEETS THE PERFORMANCE REQUIREMENTS OF  
TE CONNECTIVITY PRODUCT SPECIFICATION 108-1957; BASED ON  
TELCORDIA GR-1217-CORE; APPLICATIONS IN UNCONTROLLED ENVIRONMENTS.  
COMPLIANT PIN AREA: 0.5µm MIN MATTE TIN OVER BASE PLATING.
- 5 CONNECTOR MARKED WITH PART NUMBER AND DATE CODE
- 6 REFERENCE APPLICATION SPEC 114-13020 FOR RECOMMENDED  
PLATED THRU HOLE DIAMETER AND PLATING THICKNESS.
- 7 APPLICATION SEATING HEIGHT TO PRINTED CIRCUIT BOARD
- 8 DATUMS AND BASIC DIMENSIONS ESTABLISHED BY CUSTOMER
- 9 CONTACT AREA LUBRICATED WITH BELLCORE APPROVED LUBRICANT  
TECHNICAL REFERENCE: GR-1217-CORE, ISSUE 1, NOVEMBER 1995
- 10 HOLE DIAMETER SHOULD BE 3.10 WHEN USING FEED THROUGH GUIDE PIN P/N 120759  
CLEARANCE FOR M3x0.5 THREAD



RECOMMENDED  
PRINTED CIRCUIT BOARD  
LAYOUT  
COMPONENT SIDE OF PRINTED CIRCUIT BOARD



5.50	9.7	5120677-2
5.50	8.2	5120677-1
M	L	PART NUMBER

THIS DRAWING IS A CONTROLLED DOCUMENT.

DWN: B. CARBO 07DEC04  
 CHK: R. PATTERSON 07DEC04  
 APVD: R. PATTERSON 07DEC04

TE Connectivity

NAME: HEADER ASSEMBLY, 30 POSITION, RIGHT HAND, 6 ROW, Z-PACK HS3

SIZE: A1 CAGE CODE: 00779 DRAWING NO: 5120677 RESTRICTED TO: -

SCALE: 5:1 SHEET: 1 OF 1 REV: B2

MATERIAL: HOUSING: 3 CONTACTS: 2 SIGNAL CONTACT: 4 FINISH: -

WEIGHT: -

CUSTOMER DRAWING