

Distributed by:

JAMECO[®]
ELECTRONICS

www.Jameco.com ♦ 1-800-831-4242

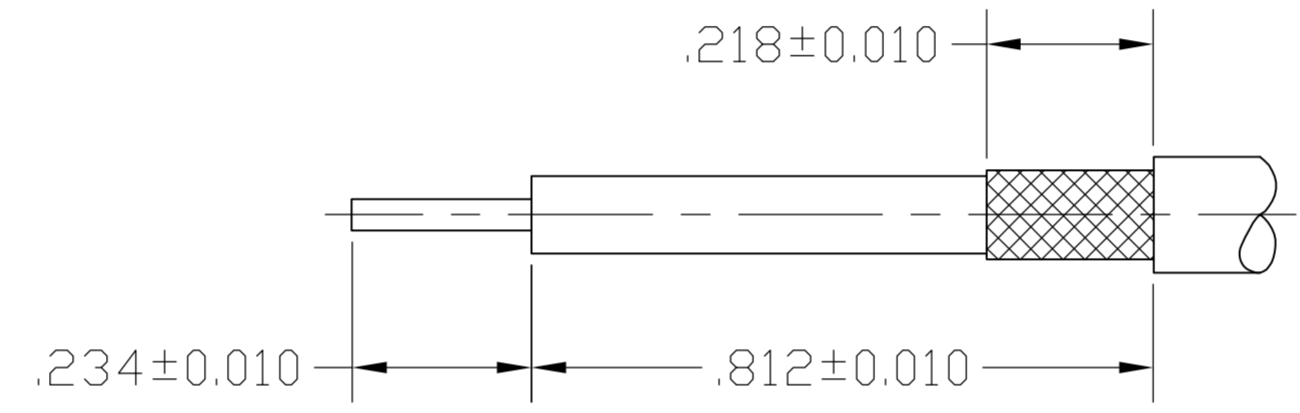
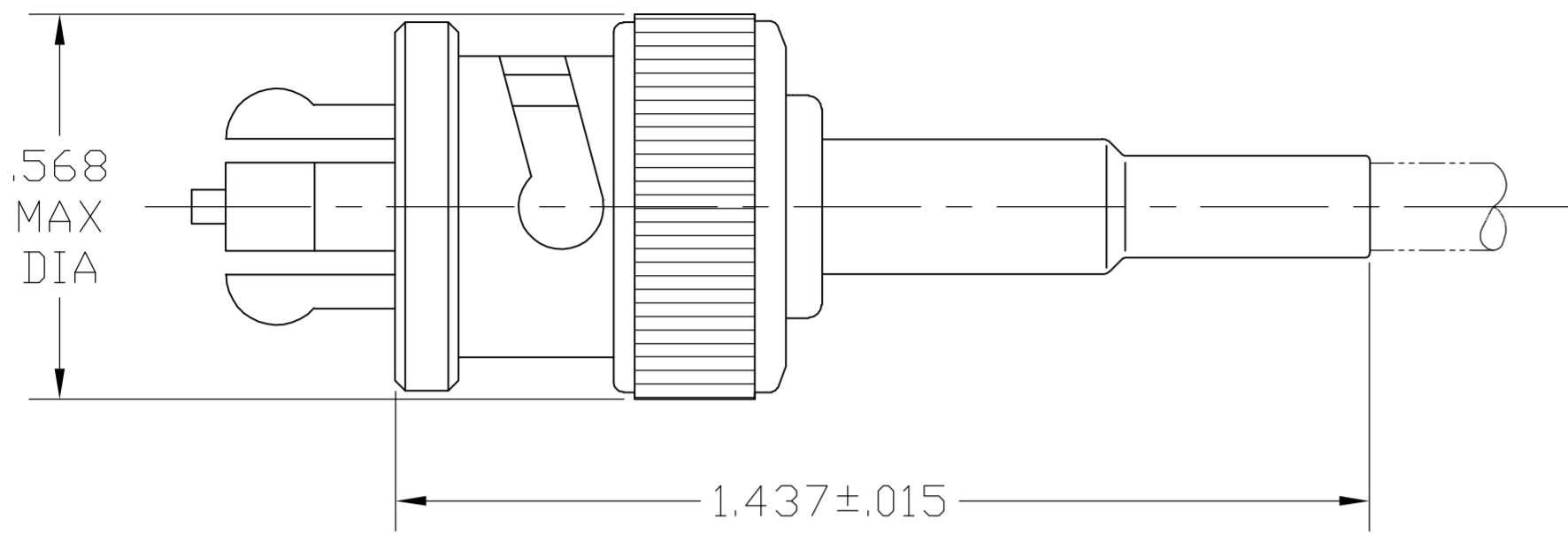
The content and copyrights of the attached
material are the property of its owner.

Jameco Part Number 753651

THIS DRAWING IS UNPUBLISHED. RELEASED FOR PUBLICATION
 © COPYRIGHT BY TYCO ELECTRONICS CORPORATION. ALL RIGHTS RESERVED.

| LOC | DIST | REVISIONS | | | | | |
|-----|------|-----------|-----|-----------------------------|----------|-----|------|
| AJ | 16 | P | LTR | DESCRIPTION | DATE | DWN | APVD |
| | | P | | REVISED PER EC OS14-0499-04 | 27JULY05 | BM | JL |

1. SEE INSTRUCTION SHEET 408-2187



RECOMMENDED STRIP LENGTH

| | | | | | | | | |
|----------|--|-------------|------------|-----------------|-----------------|-----------------|-------------------|-------------|
| | RG-58A/U & RG-58C/U | - | 220022-1 | - | 9-50427-1 | 51427-3 | 51437-3 | 9-51426-1 |
| | RG-59/U, 59A/U, 59B/U, 62/U, 62A/U & 62B/U | - | 220022-2 | - | 50428-1 | 51475-3 | 51437-2 | 9-51426-0 |
| OBSOLETE | SPECIAL CUSTOMER CABLE | - | - | - | 2-329461-7 | 225418-3 | 51437-6 | 1-51426-2 |
| OBSOLETE | RG-59/U, 59A/U & 59B/U | - | - | - | 50428-2 | 51475-3 | 51437-4 | 1-51426-1 |
| | RG-174/U & RG-188/U | - | 220009-1 | 21427-5 | 9-328666-0 | 225418-3 | 51437-6 | 51426-8 |
| OBSOLETE | RG-174/U & RG-188/U | .506 | 220009-1 | 21427-5 | 2-328666-3 | 225418-3 | 51437-5 | 51426-7 |
| OBSOLETE | RG-58A/U & RG-58C/U | - | 220022-2 | - | 1-328460-1 | 51475-3 | 51437-4 | 51426-6 |
| | RG-59/U, 59A/U, 59B/U, 62/U, 62A/U & 62B/U | .496 | 220022-2 | - | 9-50428-0 | 51475-3 | 51437-4 | 51426-5 |
| | RG-58A/U & RG-58C/U | .512 | 220022-1 | - | 9-50427-1 | 51427-3 | 51437-3 | 51426-4 |
| OBSOLETE | RG-71/U | - | 220022-2 | - | 329460 | 51475-3 | 51437-2 | 51426-3 |
| | RG-59/U, 59A/U, 59B/U, 62/U, 62A/U & 62B/U | - | 220022-2 | - | 50428-1 | 51475-3 | 51437-2 | 51426-2 |
| | RG-58A/U & RG-58C/U | .458 | 220022-1 | - | 50427-1 | 51427-3 | 51437-1 | 51426-1 |
| | CABLE SIZE | WEIGHT (OZ) | CRIMP TOOL | ④ BUSHING QTY=1 | ③ FERRULE QTY=1 | ② CONTACT QTY=1 | ① PLUG ASSY QTY=1 | PART NUMBER |

THIS DRAWING IS A CONTROLLED DOCUMENT.

| | | |
|------|------------|---------|
| DWN | R. SAMICK | 25SEP03 |
| CHK | G. MICHAEL | 25SEP03 |
| APVD | G. MICHAEL | 25SEP03 |

tyco Electronics Tyco Electronics Corporation
Harrisburg, Pa 17105-3608

NAME: CONNECTOR, COAXIAL, PLUG, SERIES SHV

| | | | |
|------|-----------|------------|---------------|
| SIZE | CAGE CODE | DRAWING NO | RESTRICTED TO |
| A2 | 00779 | C=51426 | - |

CUSTOMER DRAWING SCALE 4:1 SHEET 1 OF 1 REV P