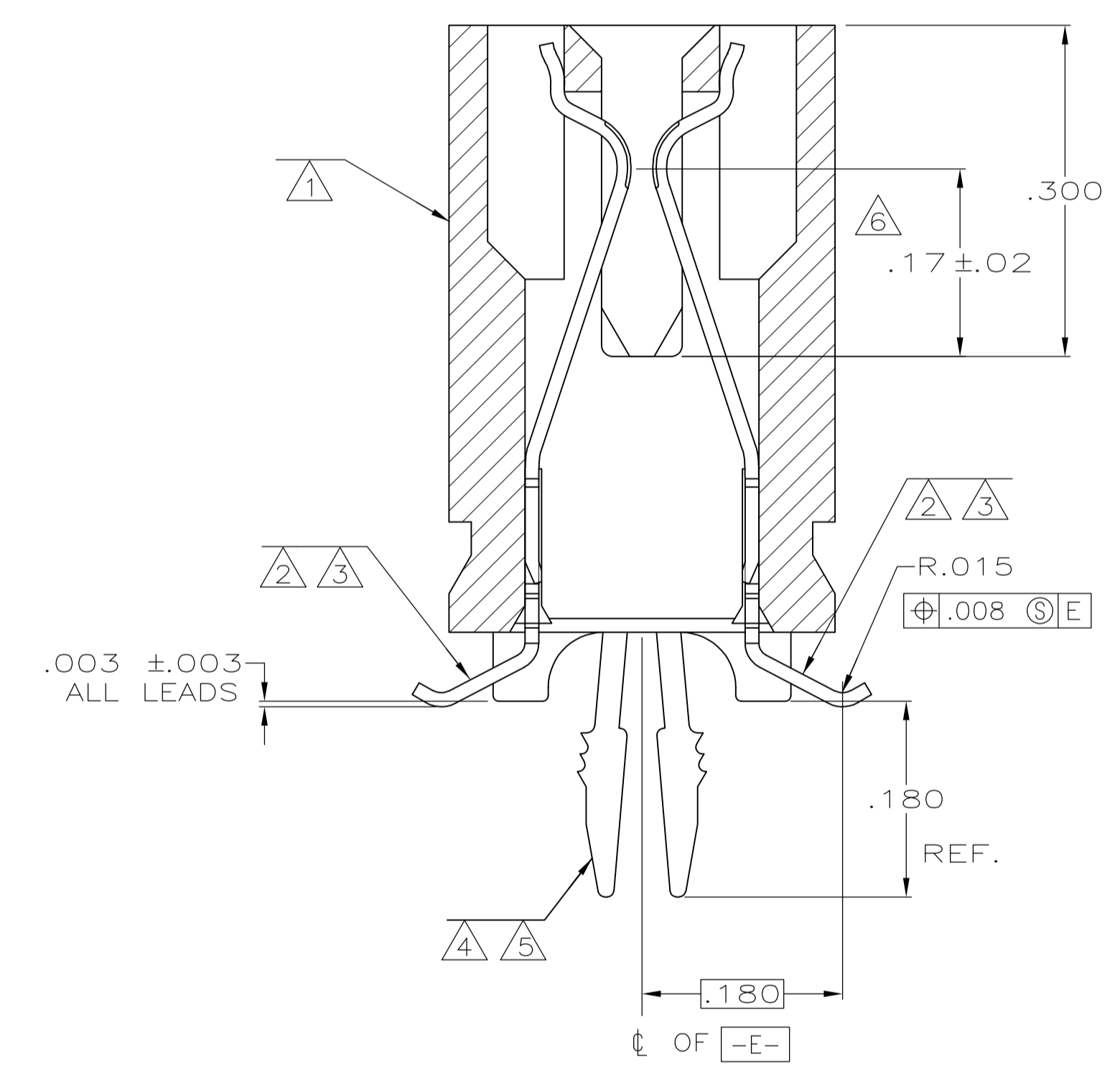
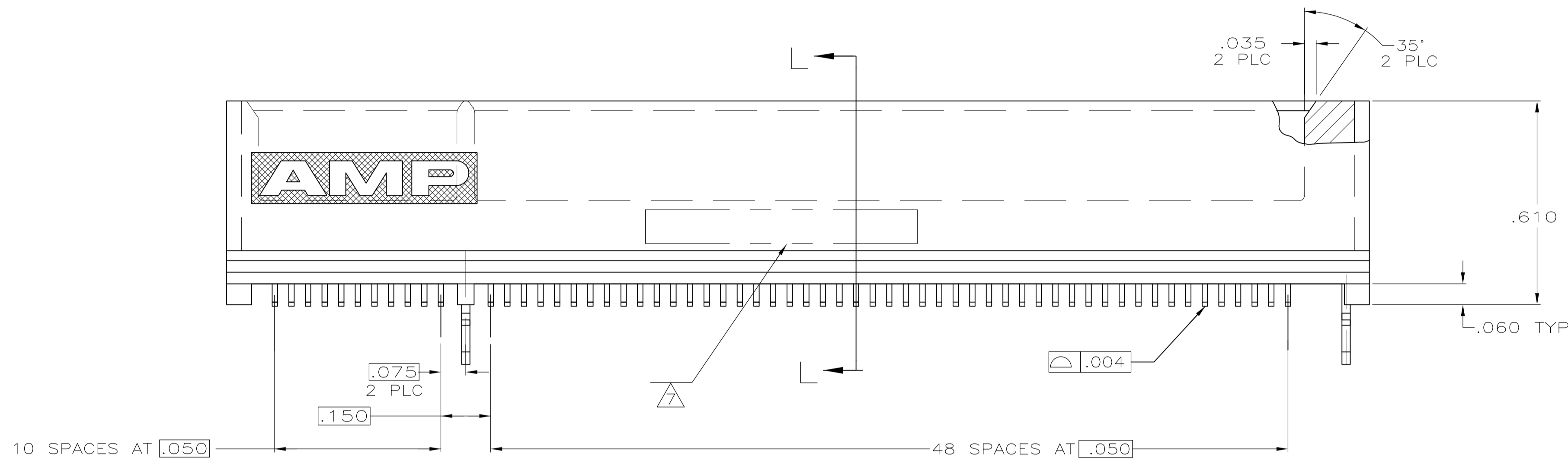
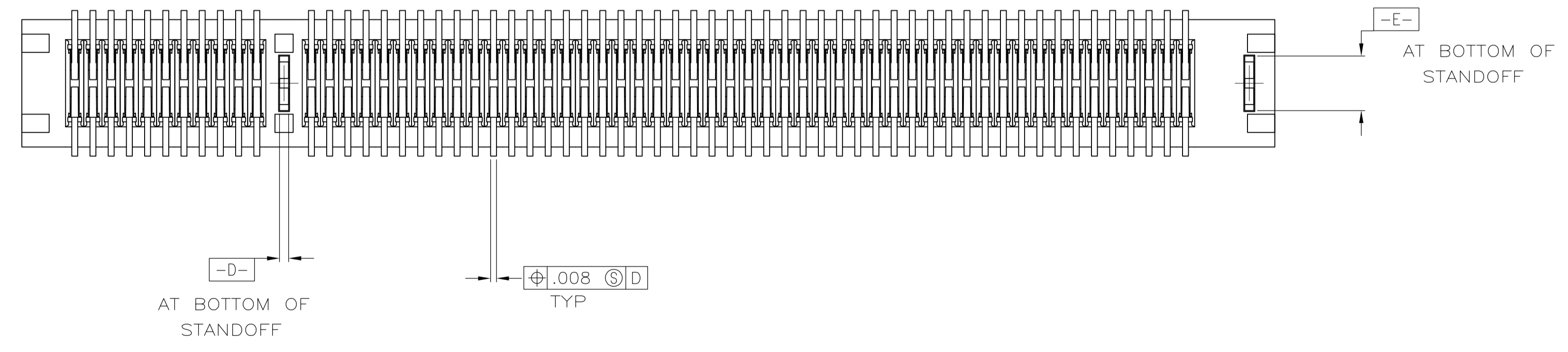


- ① HOUSING: HIGH TEMPERATURE THERMOPLASTIC.
- ② CONTACT: PHOSPHOR BRONZE.
- ③ CONTACT FINISH: .000100 MIN NICKEL ALL OVER, .000030 MIN GOLD OVER NICKEL IN CONTACT AREA, .000100 MIN MATTE TIN OVER NICKEL ON SOLDER TAILS.
- ④ METAL HOLD DOWN: BRASS
- ⑤ METAL HOLD DOWN FINISH: .000050 MIN NICKEL ALL OVER, .000150 MIN MATTE TIN ALL OVER.
- ⑥ DISTANCE FROM CONTACT POINT TO BOTTOM OF CARD SLOT.
- ⑦ AMP PART NUMBER, DATE CODE AND CSA LOGO MARKED IN APPROXIMATE AREA SHOWN.

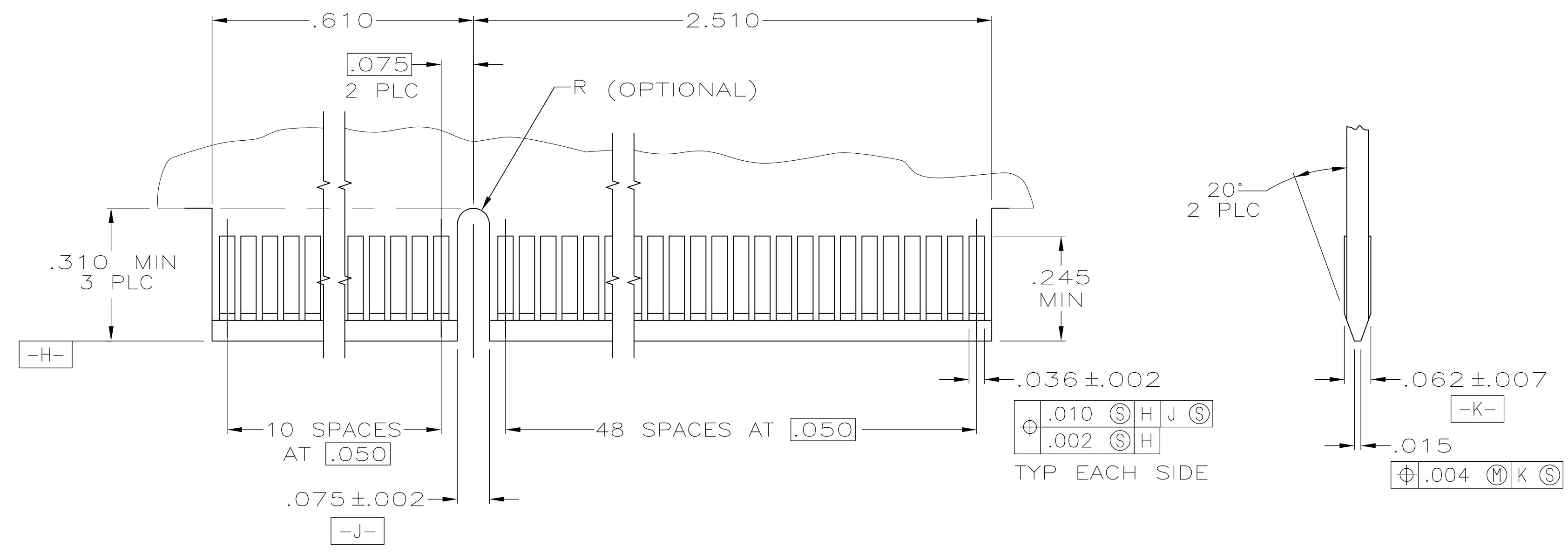


SECTION L-L  
SCALE 8:1

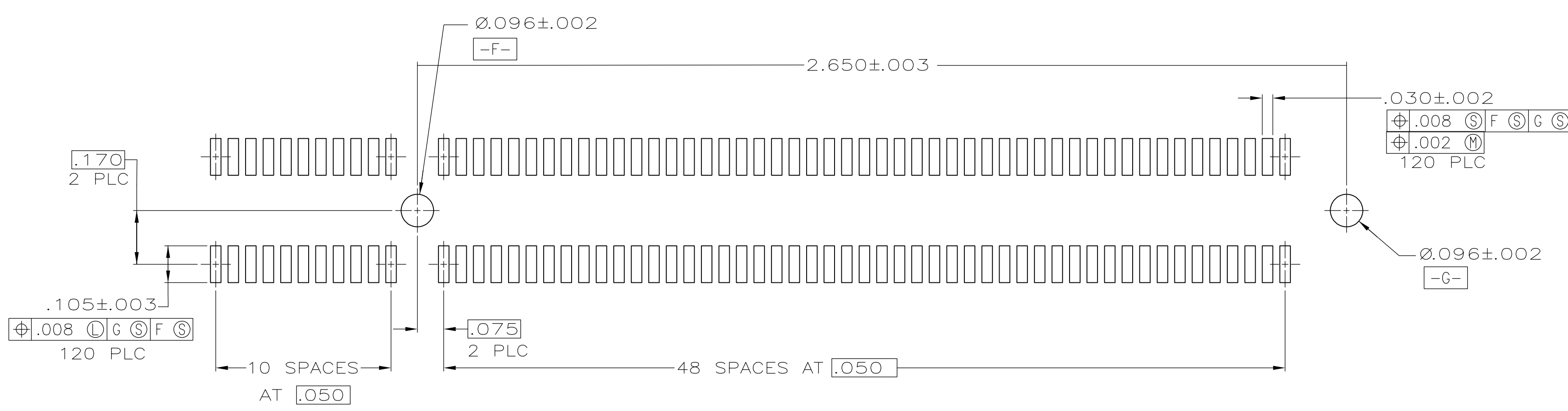


145098-1 AS SHOWN

THIS DRAWING IS A CONTROLLED DOCUMENT.		DN AL FRANTUM 09 JUN 05	TE Connectivity	
DIMENSIONS: INCHES		CHK AL FRANTUM 09 JUN 05		
TOLERANCES UNLESS OTHERWISE SPECIFIED:		APVD AL FRANTUM	NAME	
0 PLC ± - 1 PLC ± - 2 PLC ± - 3 PLC ± .005 4 PLC ± - ANGLES ± - °		PRODUCT SPEC 108-14034	CONNECTOR ASSEMBLY, 60 DUAL POSITION, .050 SERIES, STANDARD EDGE, SURFACE MOUNT	
MATERIAL		APPLICATION SPEC 114-13148	SIZE A1	CAGE CODE 00779
FINISH		WEIGHT	DRAWING NO. 5145098	RESTRICTED TO
①②④		CUSTOMER DRAWING		SCALE 4:1 SHEET 1 OF 2 REV R



RECOMMENDED MATING BOARD EDGE CONFIGURATION



RECOMMENDED PC BOARD PATTERN  
(CONNECTOR SIDE SHOWN)

THIS DRAWING IS A CONTROLLED DOCUMENT.		DWN AL FRANTUM 09 JUN 05	
DIMENSIONS: INCHES		CHK AL FRANTUM 09 JUN 05	
	TOLERANCES UNLESS OTHERWISE SPECIFIED:	NAME	CONNECTOR ASSEMBLY, 60 DUAL POSITION, .050 SERIES, STANDARD EDGE, SURFACE MOUNT
	0 PLC ± -	PRODUCT SPEC	108-14034
	1 PLC ± -	APPLICATION SPEC	114-13148
MATERIAL SEE SHEET 1	FINISH SEE SHEET 1	WEIGHT -	SIZE A1
CUSTOMER DRAWING		SCALE 4:1	SHEET 2 OF 2