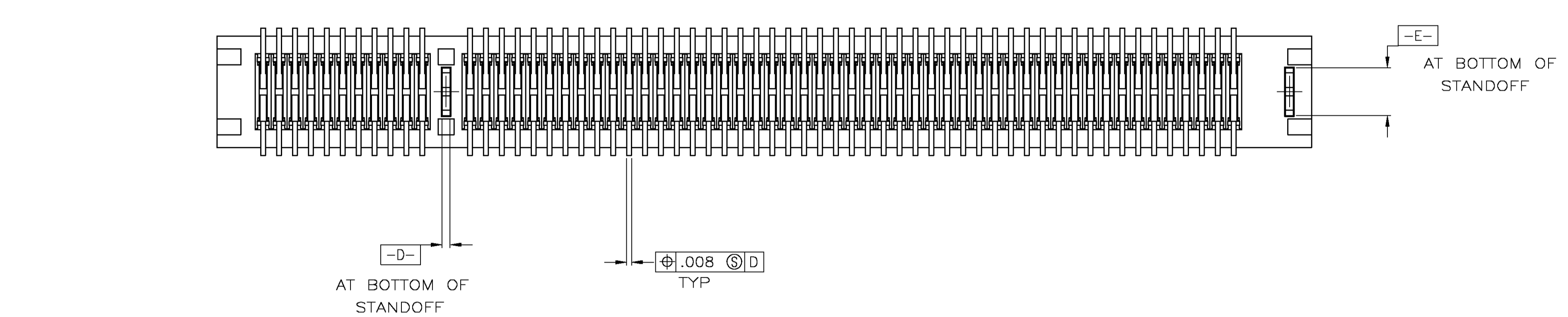
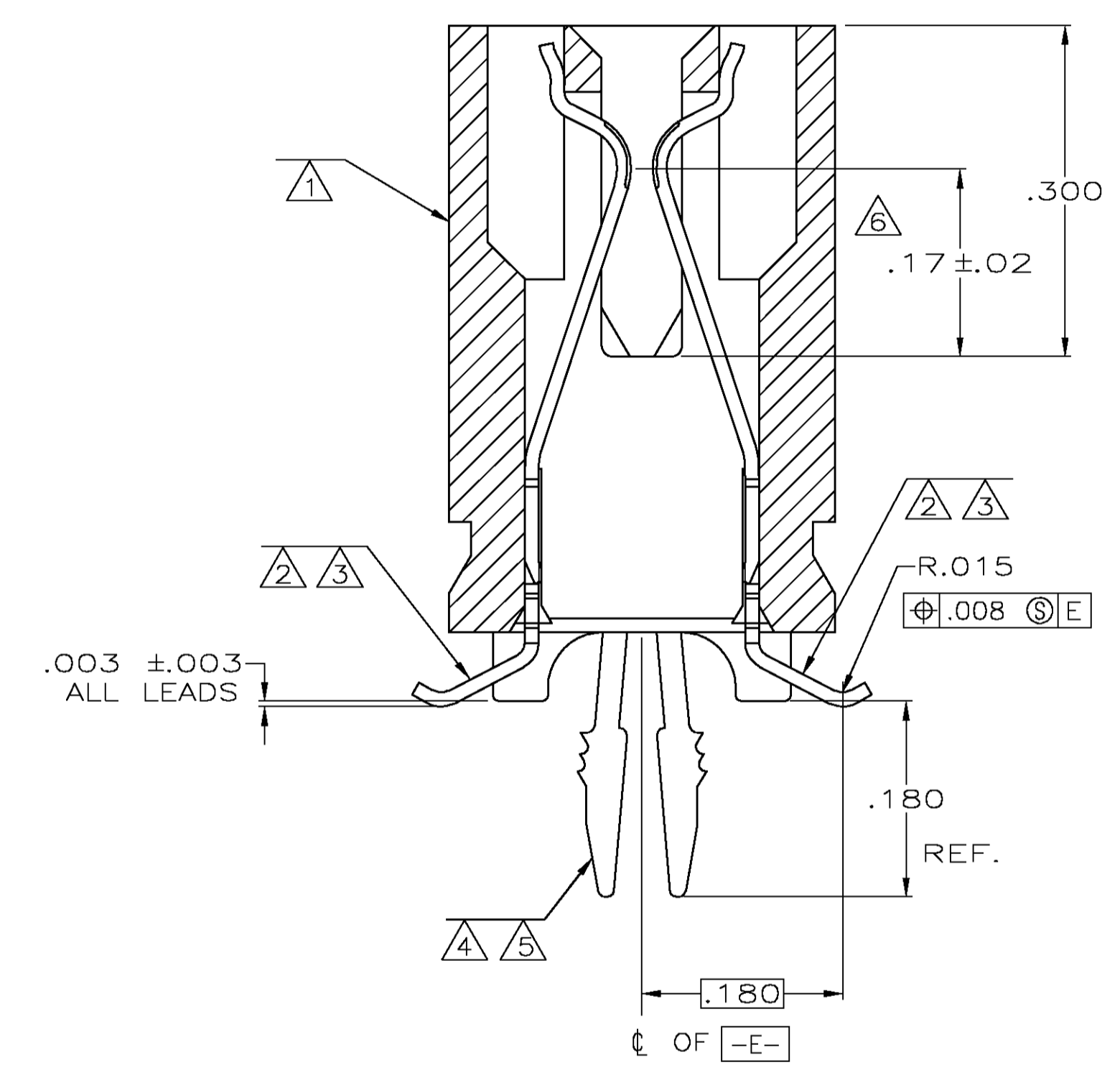
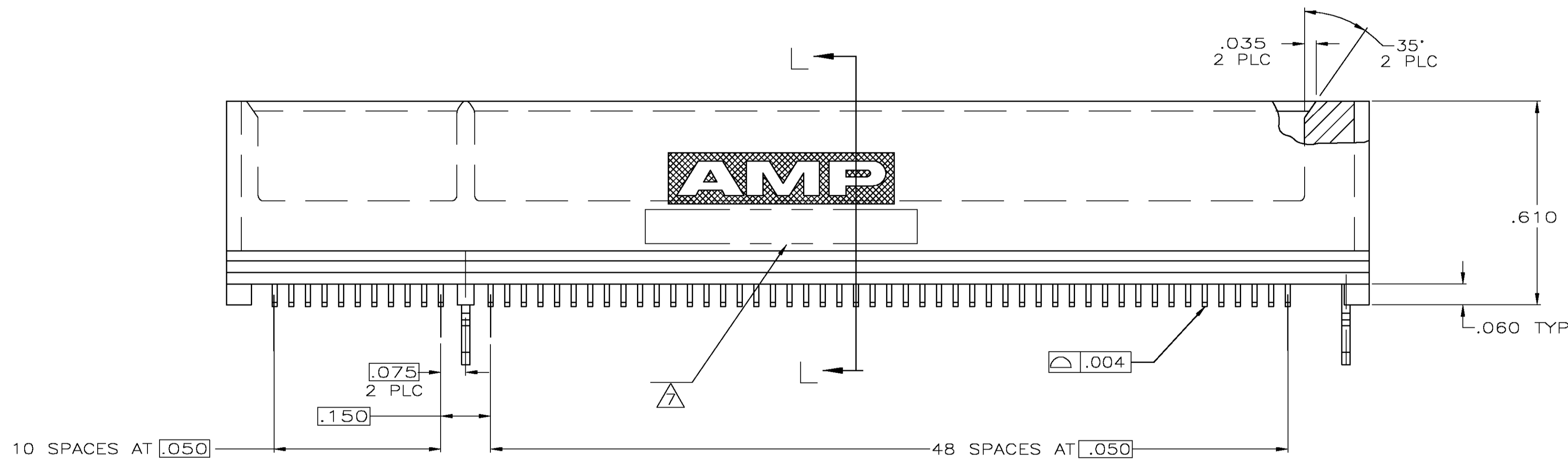


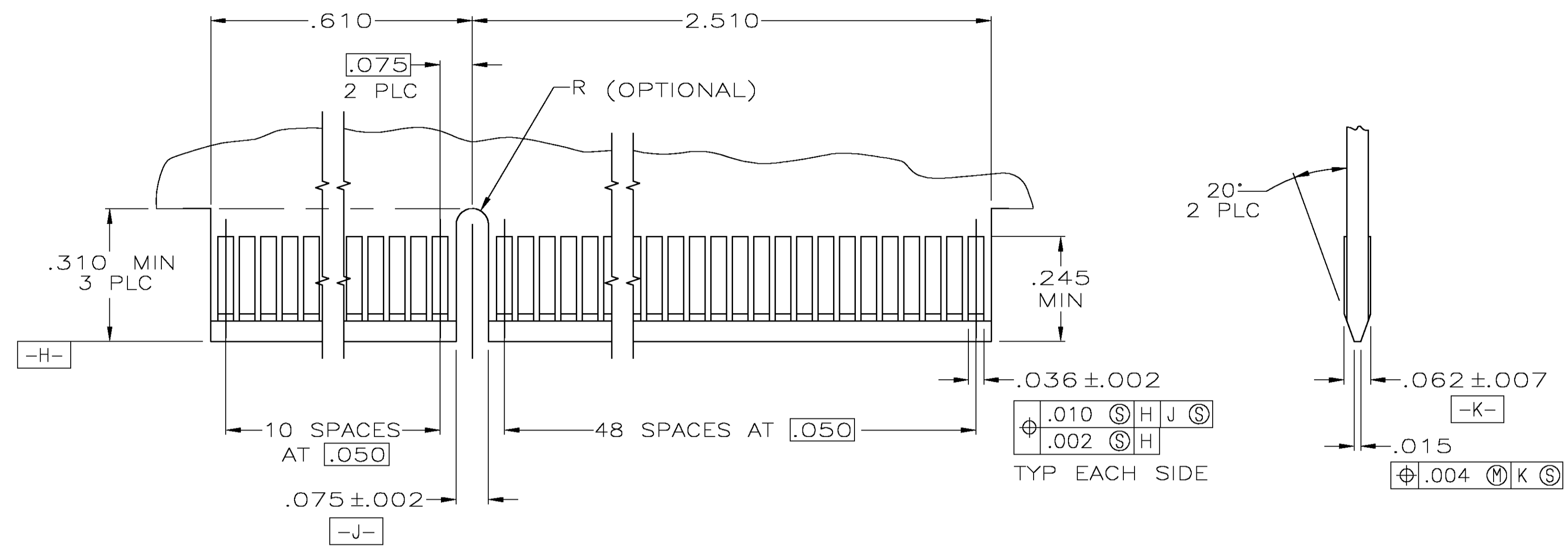
- ① HOUSING: HIGH TEMPERATURE THERMOPLASTIC.
- ② CONTACT: PHOSPHOR BRONZE.
- ③ CONTACT FINISH: .000100 MIN NICKEL ALL OVER, .000030 MIN GOLD OVER NICKEL IN CONTACT AREA, .000100 MIN MATTE TIN OVER NICKEL ON SOLDER TAILS.
- ④ METAL HOLD DOWN: BRASS
- ⑤ METAL HOLD DOWN FINISH: .000050 MIN NICKEL ALL OVER, .000150 MIN MATTE TIN ALL OVER.
- ⑥ DISTANCE FROM CONTACT POINT TO BOTTOM OF CARD SLOT.
- ⑦ AMP PART NUMBER, DATE CODE AND CSA LOGO MARKED IN APPROXIMATE AREA SHOWN.



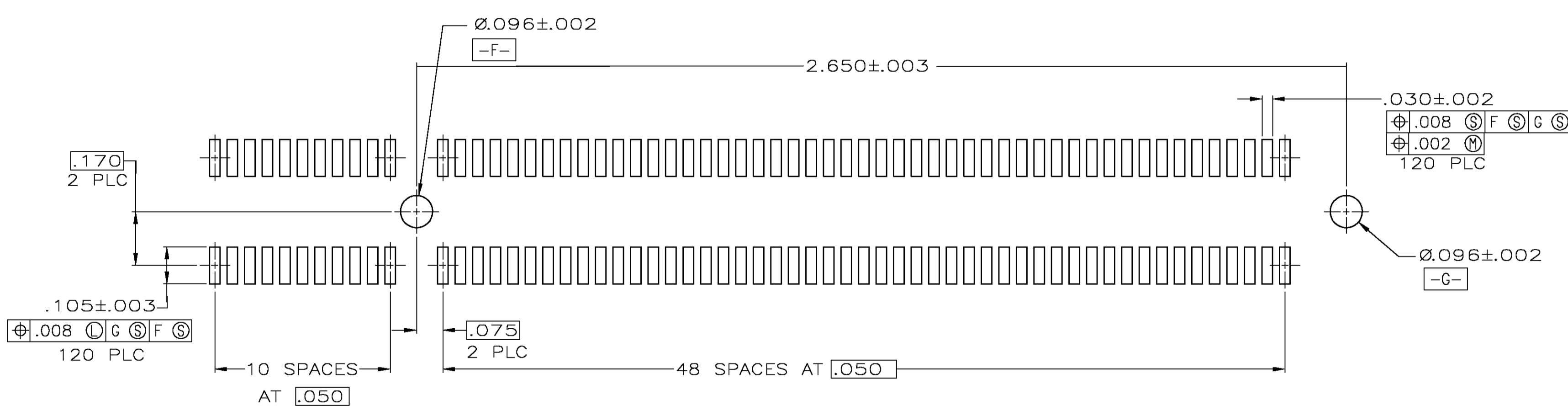
SECTION L-L  
SCALE 8:1

145098-1 AS SHOWN

THIS DRAWING IS A CONTROLLED DOCUMENT.		DIN AL FRANTUM 09 JUN 05		Tyco Electronics Corporation Harrisburg, Pa 17105-3608	
DIMENSIONS: INCHES		CIK AL FRANTUM 09 JUN 05		NAME	
TOLERANCES UNLESS OTHERWISE SPECIFIED:		APVD	PRODUCT SPEC		
0 PLC ± -		108-14034		APPLICATION SPEC	
1 PLC ± -		114-13148		SIZE	
2 PLC ± -		A1 00779		CAGE CODE	
3 PLC ± .005		5145098		DRAWING NO	
4 PLC ± -		CUSTOMER DRAWING		RESTRICTED TO	
ANGLES ± - Z		SCALE 4:1		SHEET 1 OF 2	
MATERIAL		WEIGHT		REV 0	
FINISH		SCALE 4:1		SHEET 1 OF 2	



RECOMMENDED MATING BOARD EDGE CONFIGURATION



RECOMMENDED PC BOARD PATTERN  
(CONNECTOR SIDE SHOWN)

THIS DRAWING IS A CONTROLLED DOCUMENT.		DNV AL FRANTUM 09 JUN 05	 Tyco Electronics Corporation Harrisburg, Pa 17105-3608
DIMENSIONS: INCHES		CHK AL FRANTUM 09 JUN 05	
TOLERANCES UNLESS OTHERWISE SPECIFIED:		APVD	NAME
0 PLC ± -	PRODUCT SPEC	CONNECTOR ASSEMBLY, 60 DUAL POSITION, .050 SERIES, STANDARD EDGE, SURFACE MOUNT	
1 PLC ± -	108-14034	SIZE	
2 PLC ± -	APPLICATION SPEC	CAGE CODE	
3 PLC ± .005	114-13148	DRAWING NO	
4 PLC ± -	WEIGHT	RESTRICTED TO	
ANGLES ± ± Z	SEE SHEET 1	A1 00779 C=5145098	
MATERIAL	FINISH	CUSTOMER DRAWING	
SEE SHEET 1	SEE SHEET 1	SCALE 4:1	SHEET 2 OF 2 REV 0