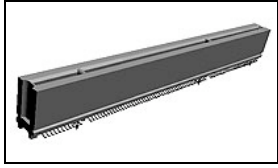


5145246-1 Product Details



5145246-1

TE Internal Number: 5145246-1



Active

PCI & PCI Express Connectors

 Always EU RoHS/ELV Compliant (Statement of Compliance)

Product Highlights:

- Family Name = PCI
- PCB Mounting Orientation = Vertical
- 92 Dual Positions
- 184 Positions
- Housing Color = Natural

Documentation & Additional Information

Product Drawings:

- [CONNECTOR ASSEMBLY, 92 DUAL POSITION, .050 SERIES, S...](#) (PDF, English)

Catalog Pages/Data Sheets:

- None Available

Product Specifications:

- [Connector, Card Edge, .050 Centerline](#) (PDF, English)

Application Specifications:

- [.050 Series Standard Edge Peripheral Computer Interc...](#) (PDF, English)

Instruction Sheets:

- None Available

CAD Files: (CAD Format & Compression Information)

- [2D Drawing](#) (DXF, Version A)
- [3D Model](#) (IGES, Version A)
- [3D Model](#) (STEP, Version A)

Related Products:

- [Tooling](#)

Product Features (Please use the Product Drawing for all design activity)

Product Type Features:

- Family Name = PCI
- PCB Mounting Orientation = Vertical
- PCB Mount Style = Surface Mount
- PCB Mount Retention Type = Hold Down Post(s)

Electrical Characteristics:

- Voltage (VAC) = 3.3, 5

Termination Features:

- Solder Tail Contact Plating = Tin over Nickel

Dimensions:

- Length (mm [in]) = 128.00 [5.039]
- Width (mm [in]) = 8.88 [0.350]
- Height (mm [in]) = 13.97 [0.550]
- PCB Thickness, Accepted (mm [in]) = 1.57 [0.062]

Body Features:

- Bus Width = 64 Bit
- Ejector = Without
- Holddown Material = Brass
- Holddown Plating = Tin over Nickel

Contact Features:

- Contact Plating, Mating Area, Material = Gold (30)
- Contact Base Material = Phosphor Bronze

Housing Features:

- Housing Color = Natural
- Centerline (mm [in]) = 1.27 [0.050]
- Housing Material = PPS

Configuration Features:

- Number of Dual Positions = 92
- Number of Positions = 184
- Number of Holddowns = 3

Industry Standards:

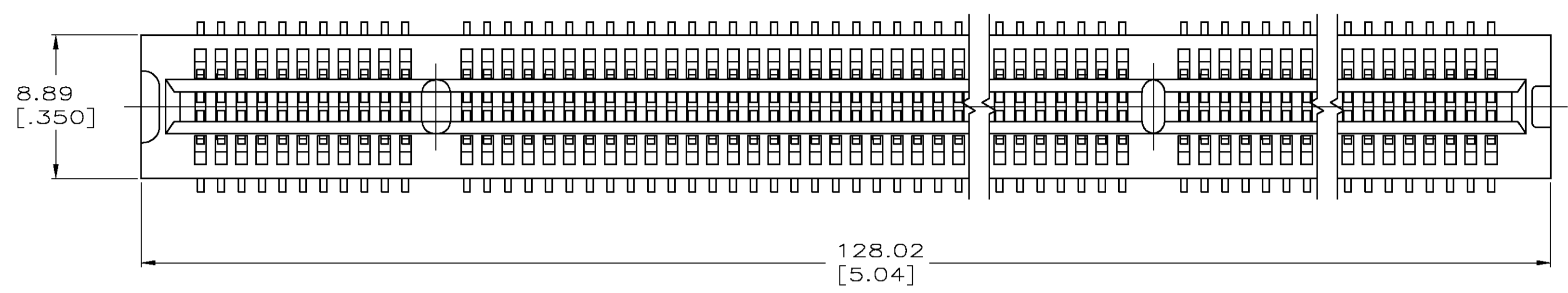
- RoHS/ELV Compliance = RoHS compliant, ELV compliant
- Lead Free Solder Processes = Reflow solder capable to 245°C
- RoHS/ELV Compliance History = Always was RoHS compliant

Operation/Application:

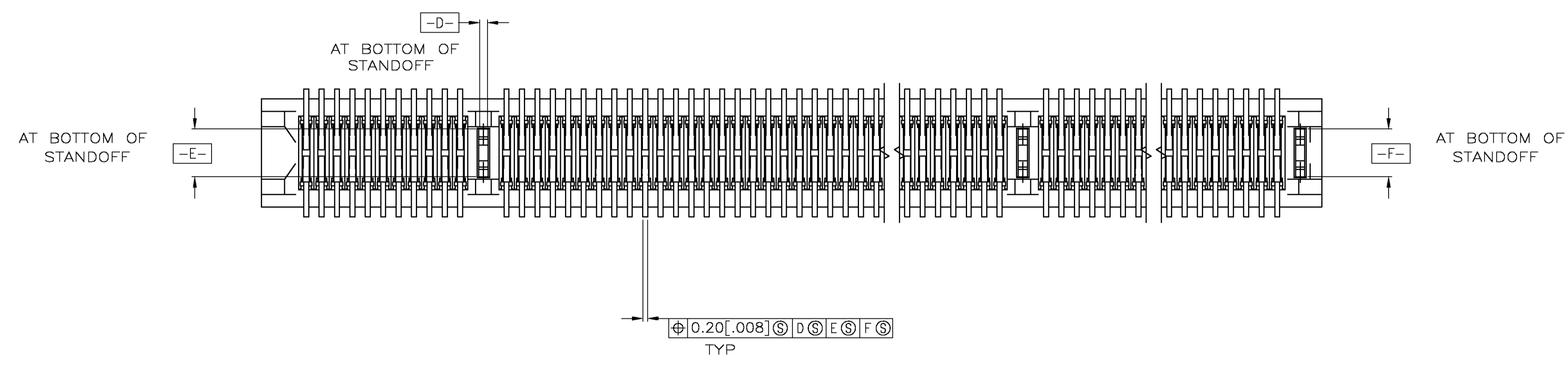
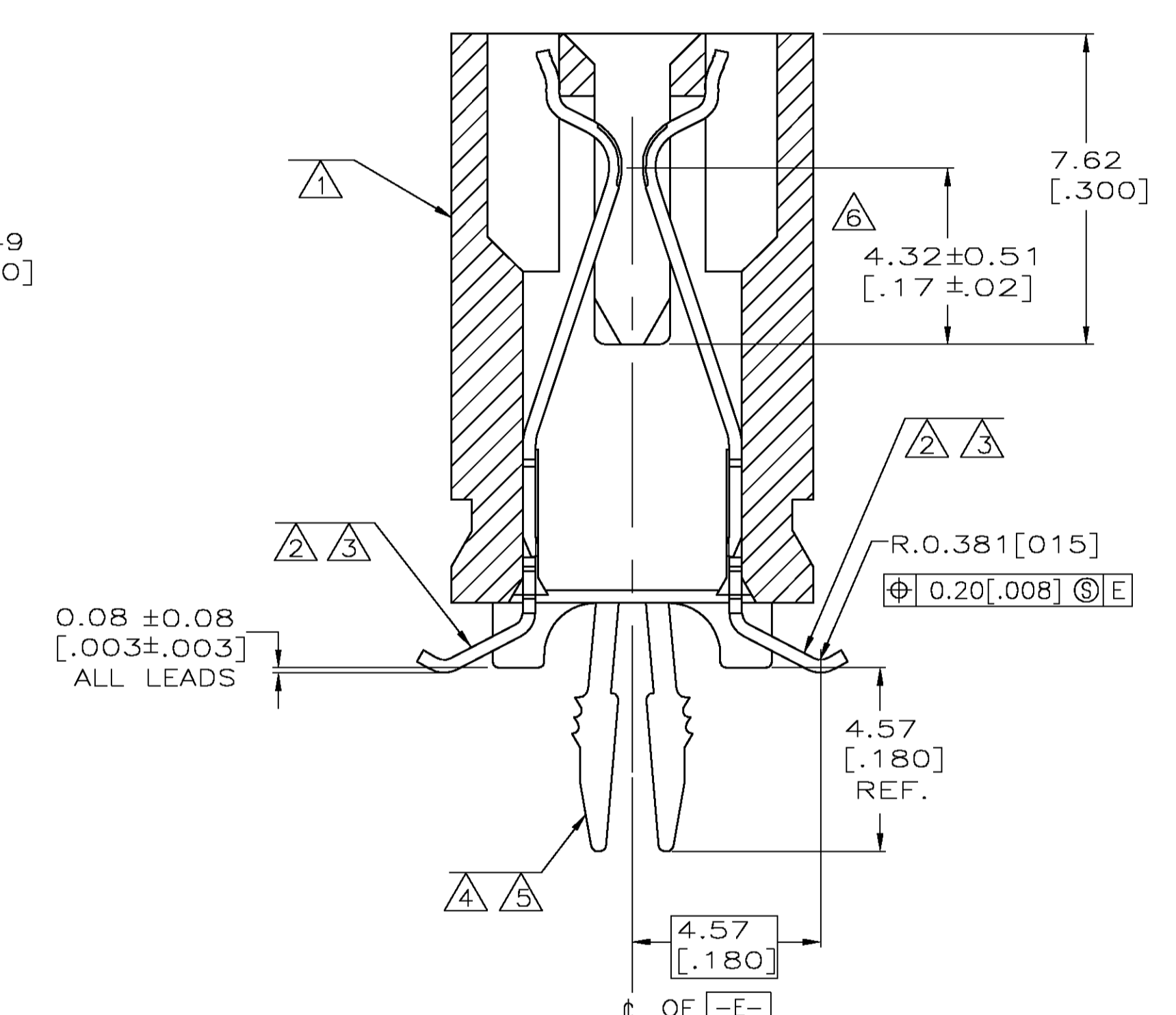
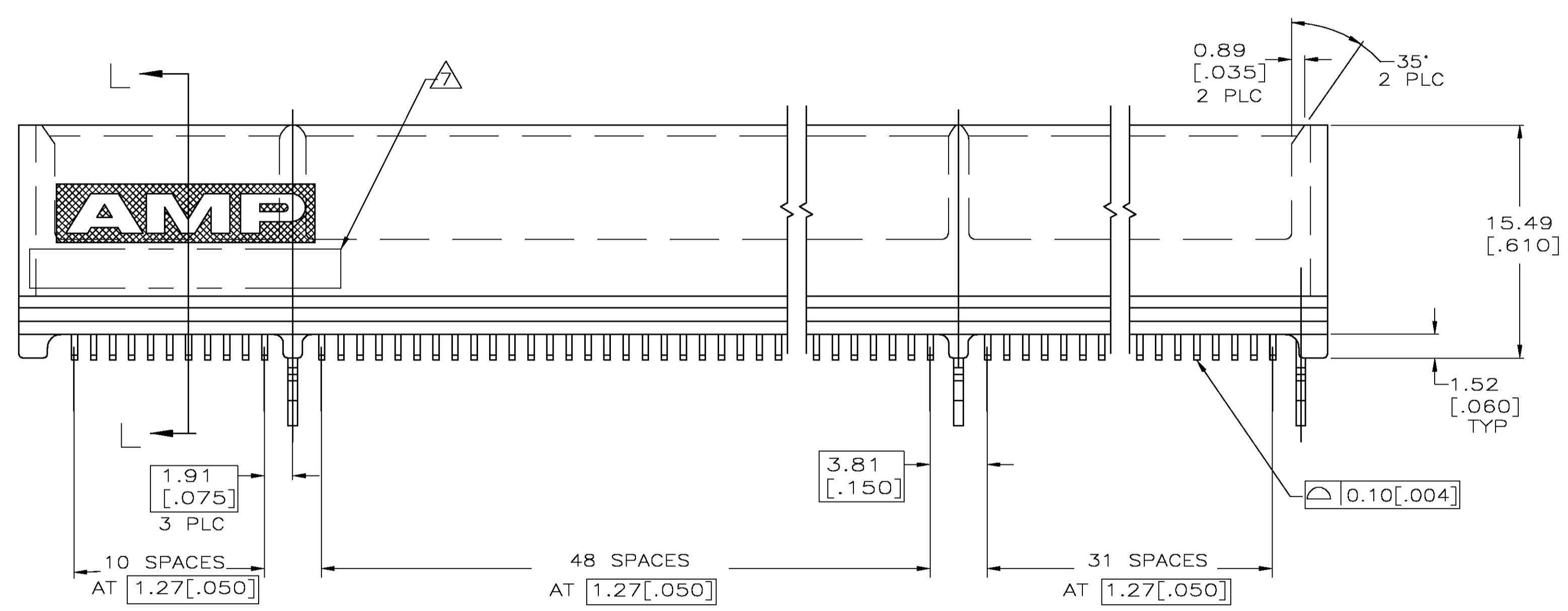
- Pick and Place Cover = Without

Other:

- Brand = TE Connectivity



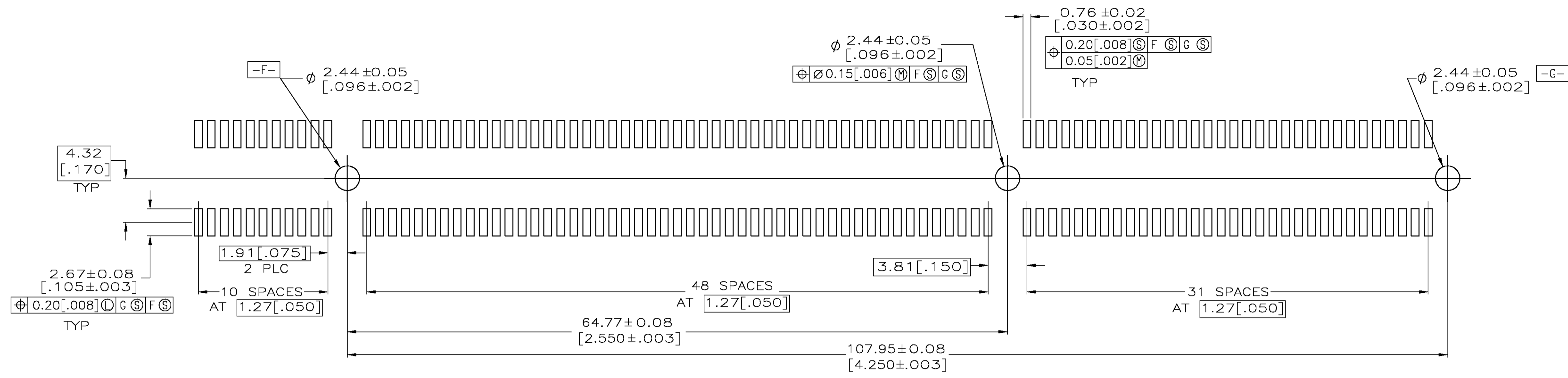
- ① HOUSING: HIGH TEMPERATURE THERMOPLASTIC.
- ② CONTACT: PHOSPHOR BRONZE.
- ③ CONTACT FINISH: 0.00254[.000100] MIN NICKEL UNDERPLATE, 0.000762[.000030] MIN GOLD OVER NICKEL IN CONTACT AREA, 0.00254[.000100] MIN MATTE TIN OVER NICKEL ON SOLDER TAILS.
- ④ METAL HOLD DOWN: BRASS
- ⑤ METAL HOLD DOWN FINISH: 0.00127[.000050] MIN NICKEL UNDERPLATE, 0.00381[.000150] MIN MATTE TIN ALL OVER.
- ⑥ DISTANCE FROM CONTACT POINT TO BOTTOM OF CARD SLOT.
- ⑦ AMP PART NUMBER, DATE CODE AND CSA LOGO MARKED IN APPROXIMATE AREA SHOWN.



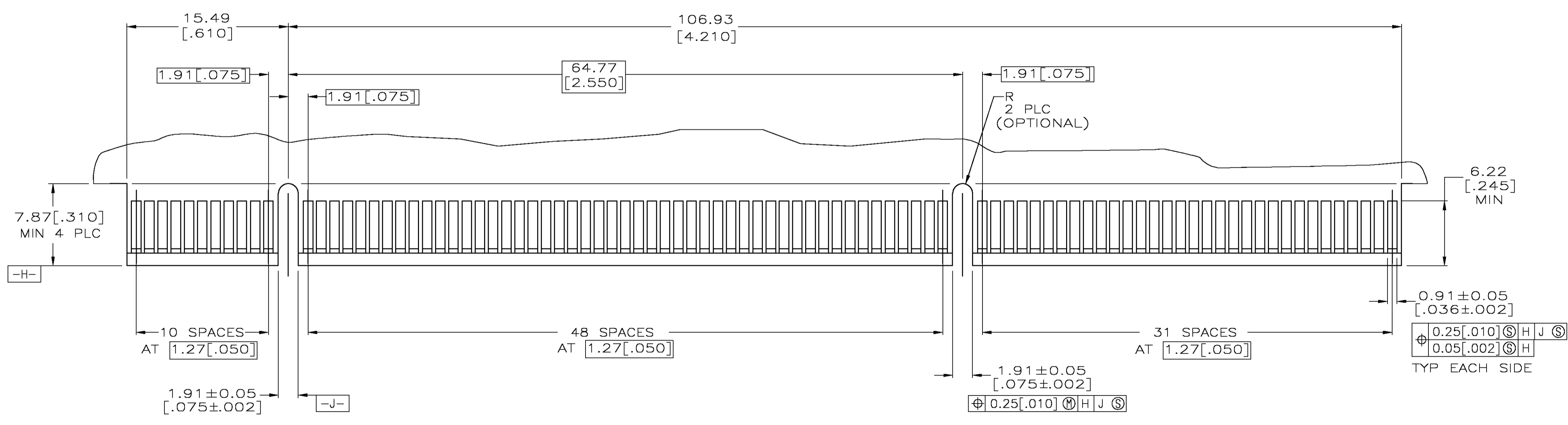
SECTION L-L
SCALE 8:1

5145246-1 AS SHOWN

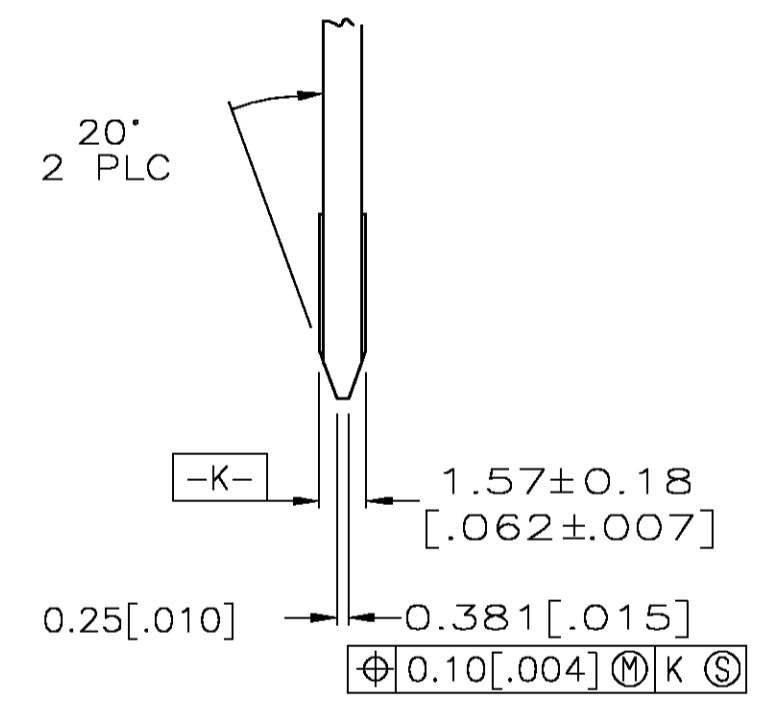
THIS DRAWING IS A CONTROLLED DOCUMENT.		DIN AL FRANTUM 19 APR 05	 Tyco Electronics Corporation Harrisburg, Pa 17105-3608
DIMENSIONS: mm		CHK AL FRANTUM 19 APR 05	
TOLERANCES UNLESS OTHERWISE SPECIFIED: 0 PLC ± - 1 PLC ± 0.3[.01] 2 PLC ± 0.13[.005] 3 PLC ± - 4 PLC ± - ANGLES ± -Z		APVD	NAME
		PRODUCT SPEC	CONNECTOR ASSEMBLY, 92 DUAL POSITION, .050 SERIES, STANDARD EDGE SURFACE MOUNT
MATERIAL		APPLICATION SPEC	SIZE CAGE CODE DRAWING NO
FINISH		WEIGHT	A1 00779 C=5145246
①②③		CUSTOMER DRAWING	RESTRICTED TO
④⑤		SCALE 4:1	SHEET 1 OF 2
			REV A



RECOMMENDED CONNECTOR MOUNTING HOLE PATTERN
 (CONNECTOR SIDE SHOWN)



RECOMMENDED MATING BOARD EDGE CONFIGURATION



THIS DRAWING IS A CONTROLLED DOCUMENT.		DIN AL FRANTUM 19 APR 05		Tyco Electronics Corporation Harrisburg, Pa 17105-3608			
DIMENSIONS: mm		AL FRANTUM 19 APR 05		NAME	CONNECTOR ASSEMBLY, 92 DUAL POSITION, .050 SERIES, STANDARD EDGE SURFACE MOUNT		
TOLERANCES UNLESS OTHERWISE SPECIFIED:		PRODUCT SPEC	APPLICATION SPEC	SIZE	CAGE CODE	DRAWING NO	RESTRICTED TO
0 PLC ± .01		---	---	A1	00779	5145246	---
1 PLC ± 0.3[.01]		---	---	CUSTOMER DRAWING		SCALE	SHEET
2 PLC ± 0.13[.005]		---	---			4:1	2 OF 2
3 PLC ± .01		---	---				REV
4 PLC ± .01		---	---				A
ANGLES ± .2°		---	---				
MATERIAL SEE SHEET 1		FINISH SEE SHEET 1	WEIGHT				