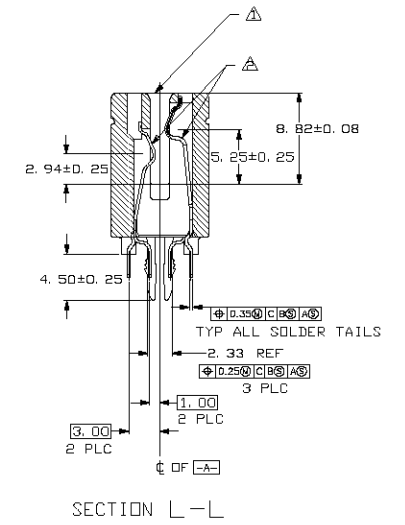
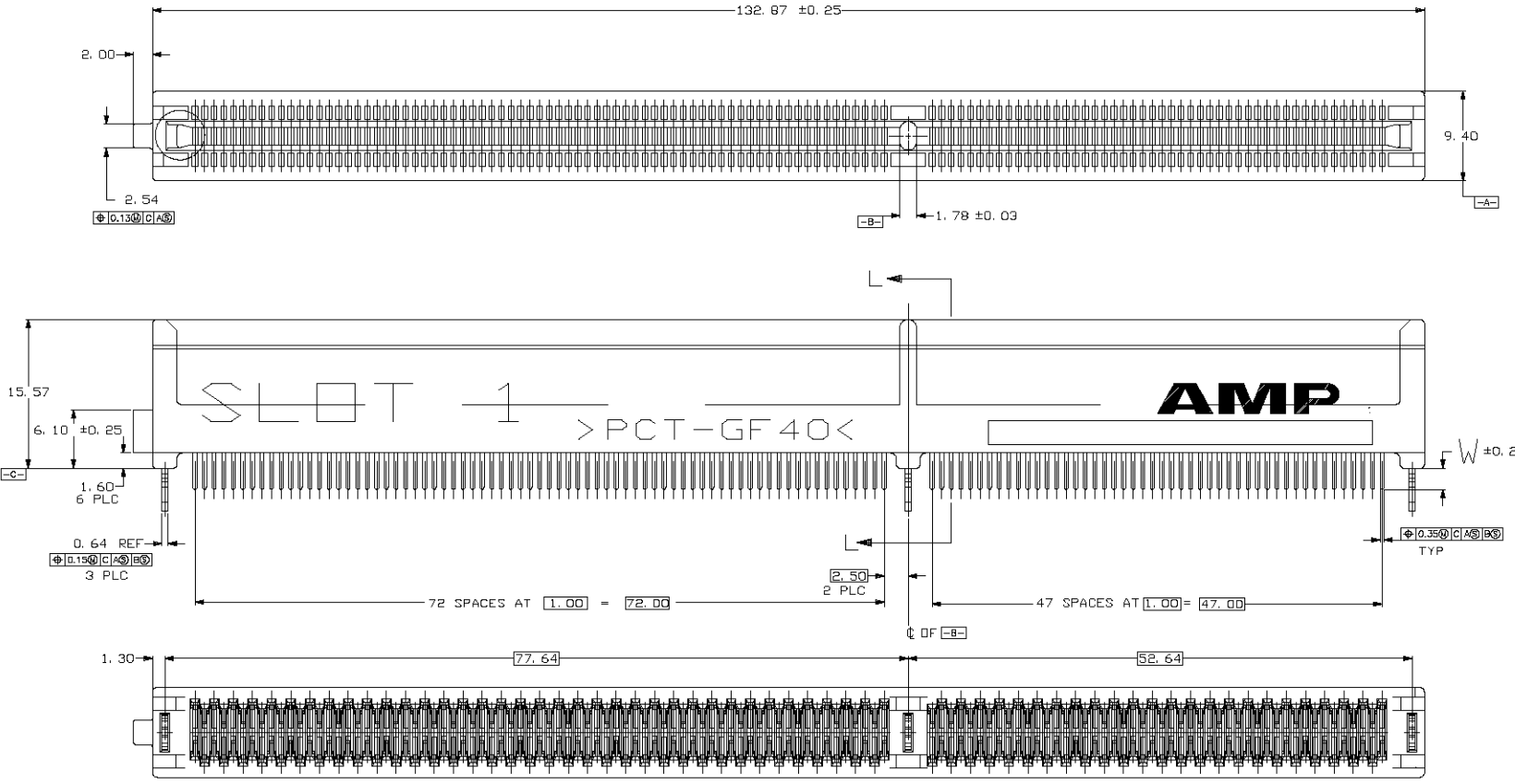


THIS DRAWING IS UNFINISHED. RELEASED FOR PUBLICATION. ALL RIGHTS RESERVED.

REV	DATE	DESCRIPTION	BY	CHK	APP
00	0	REVISED PER FB00-0246-04			



- ▲ MATERIAL: HOUSING, THERMOPLASTIC, COLOR: BROWN.  
CONTACTS, PHOSPHOR BRONZE.  
HOLD-DOWNS, BRASS.
- ▲ FINISH: CONTACTS, 1.27 MIN. MICROMETERS NICKEL ALL OVER,  
0.38 MIN. MICROMETERS GOLD OVER NICKEL IN CONTACT AREA,
- ▲ FINISH: 2.54 MIN MICROMETERS TIN OVER NICKEL ON SOLDER TAILS.
- ▲ FINISH: CONTACTS, 1.27 MIN. MICROMETERS NICKEL ALL OVER,  
0.0254-0.0762 MICROMETERS GOLD OVER NICKEL IN CONTACT AREA.

LEAD FREE

▲ ▲	3.18	5145251-6
▲ ▲	2.54	5145251-5
▲ ▲	3.18	5145251-3
▲ ▲	2.54	5145251-2
▲ ▲	2.16	5145251-1
PLATING	W	PART NO

THIS DRAWING IS A CONTROLLED DOCUMENT.		REV	DATE	BY	CHK	APP	DATE	BY	CHK	APP	
DRAWN BY: LEADWORLD		0	21002504	LEADWORLD	LEADWORLD	LEADWORLD	21002504	LEADWORLD	LEADWORLD	LEADWORLD	
MATERIAL: -		FINISH: -		QUANTITY: -		UNIT: -		SCALE: -		SHEET: -	
CUSTOMER DRAWING		A100779		5145251		242 POSITION		242 POSITION		RESTRICTED TO	
SCALE: 1:1		SHEET: 1		OF: 2		REV: 0					

