

Distributed by:

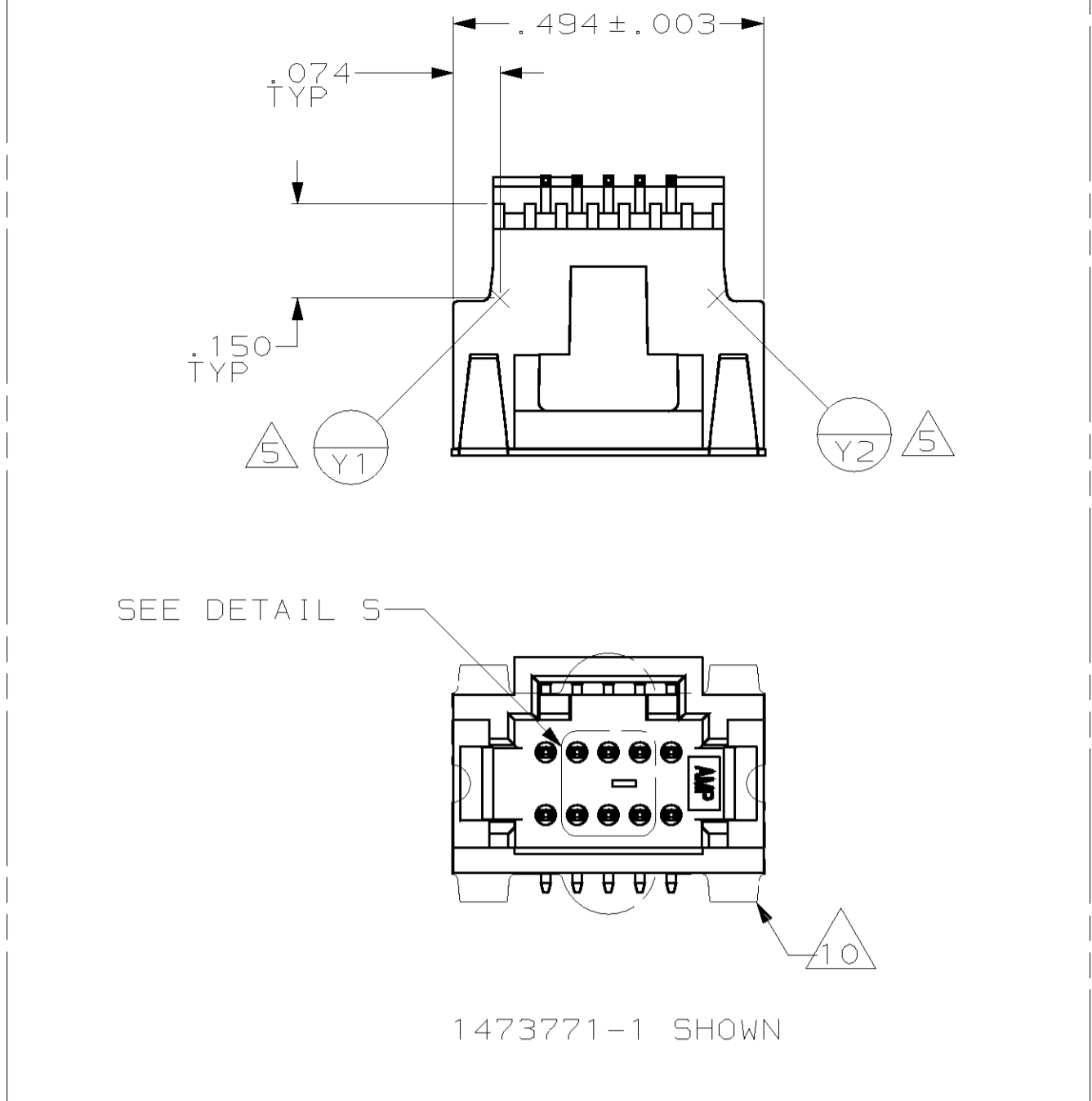
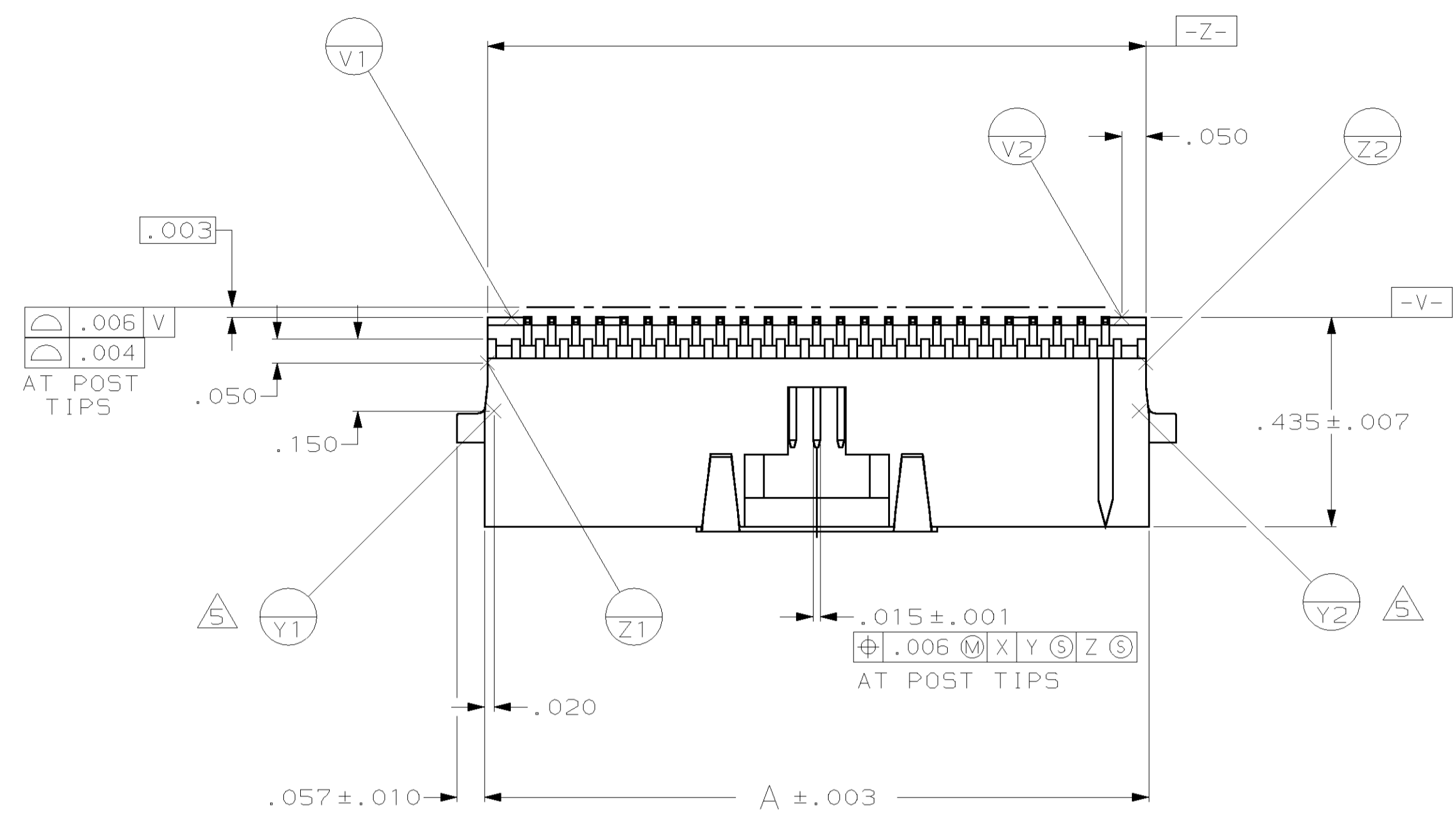
JAMECO[®]
ELECTRONICS

www.Jameco.com ♦ 1-800-831-4242

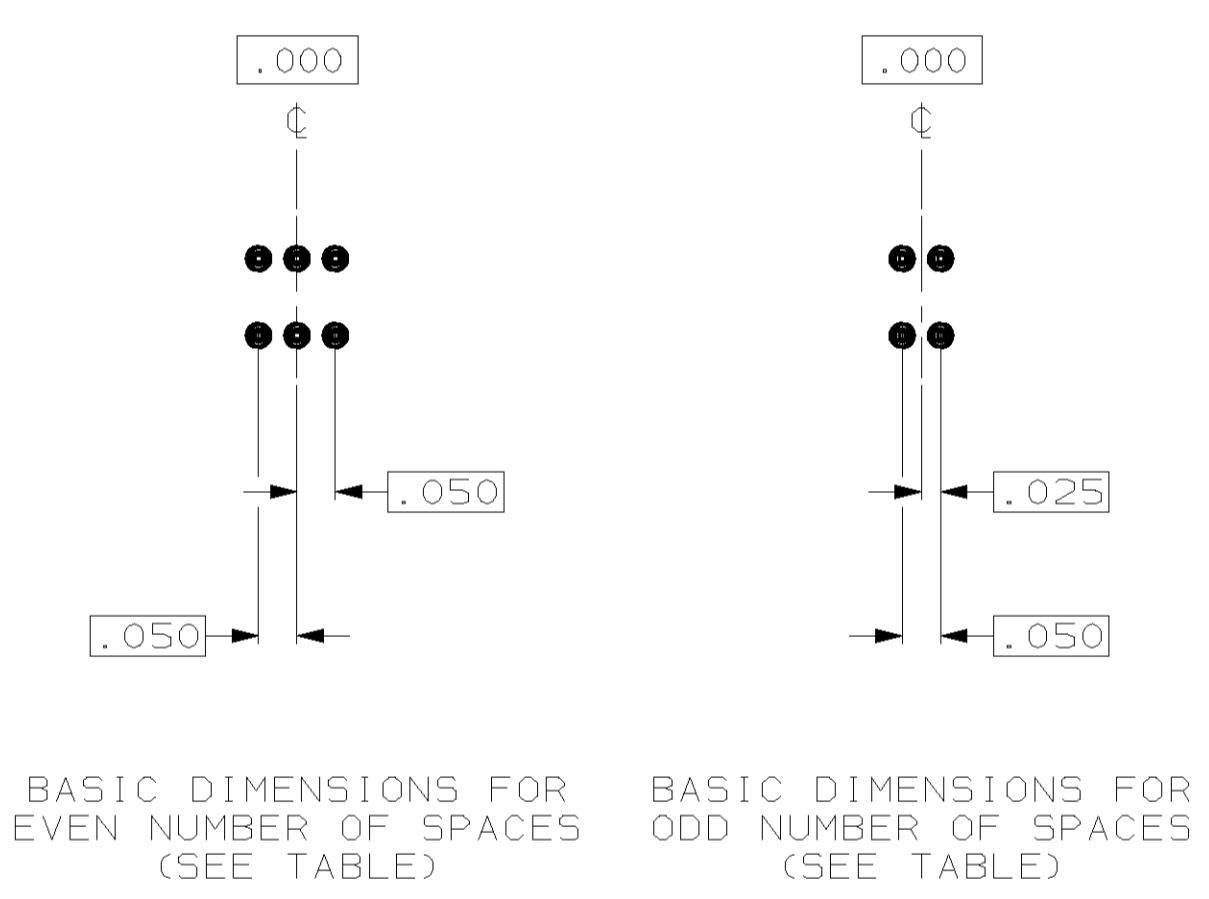
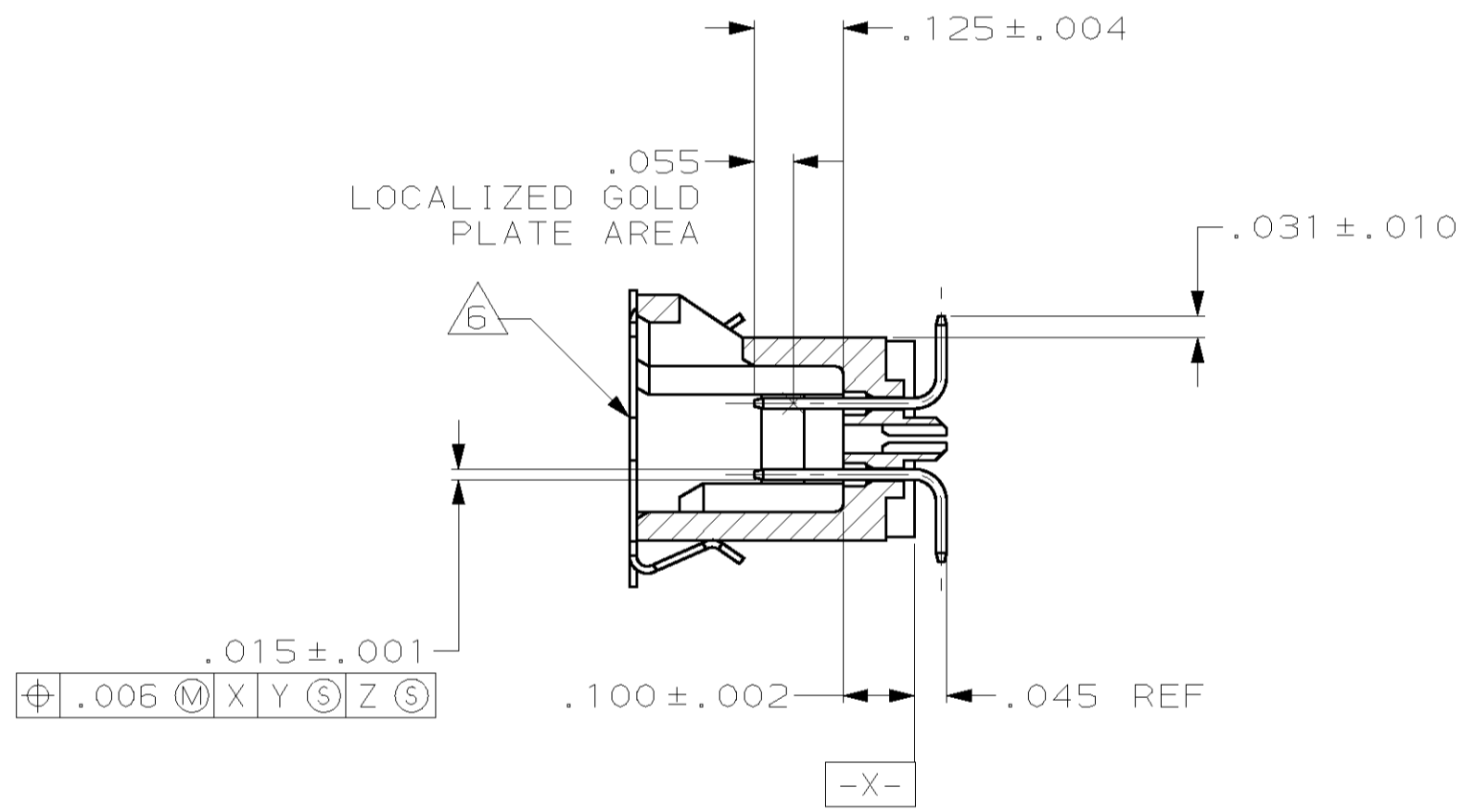
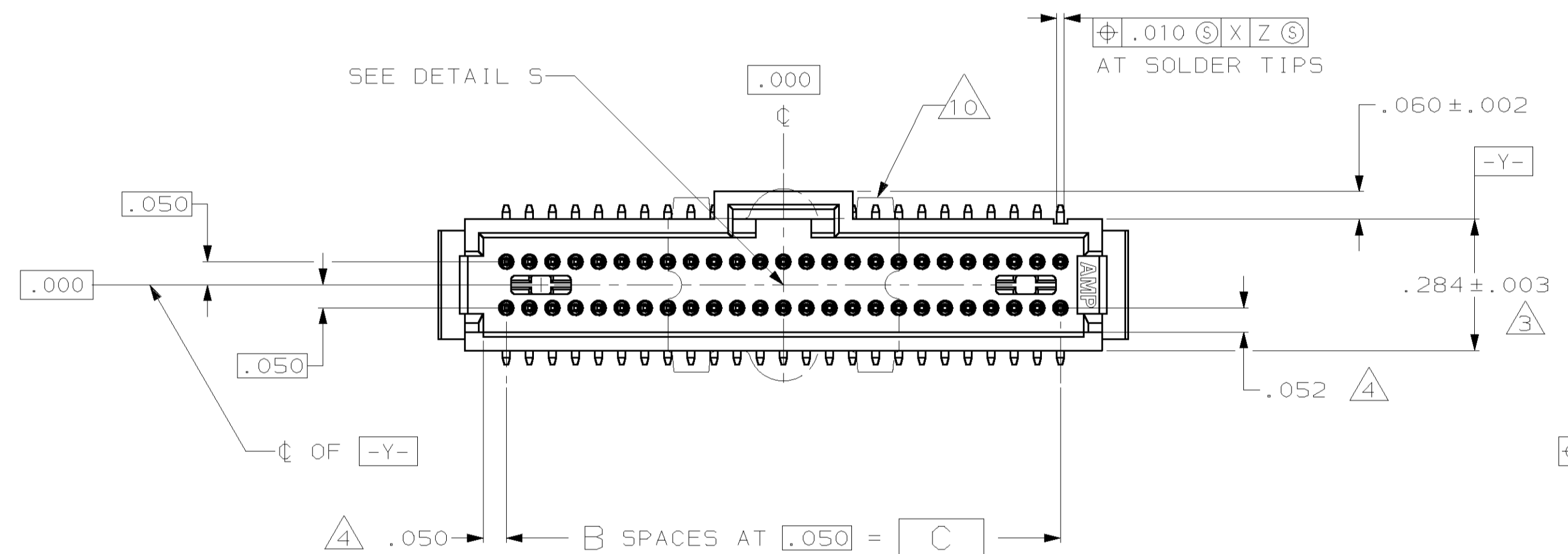
The content and copyrights of the attached
material are the property of its owner.

Jameco Part Number 949241

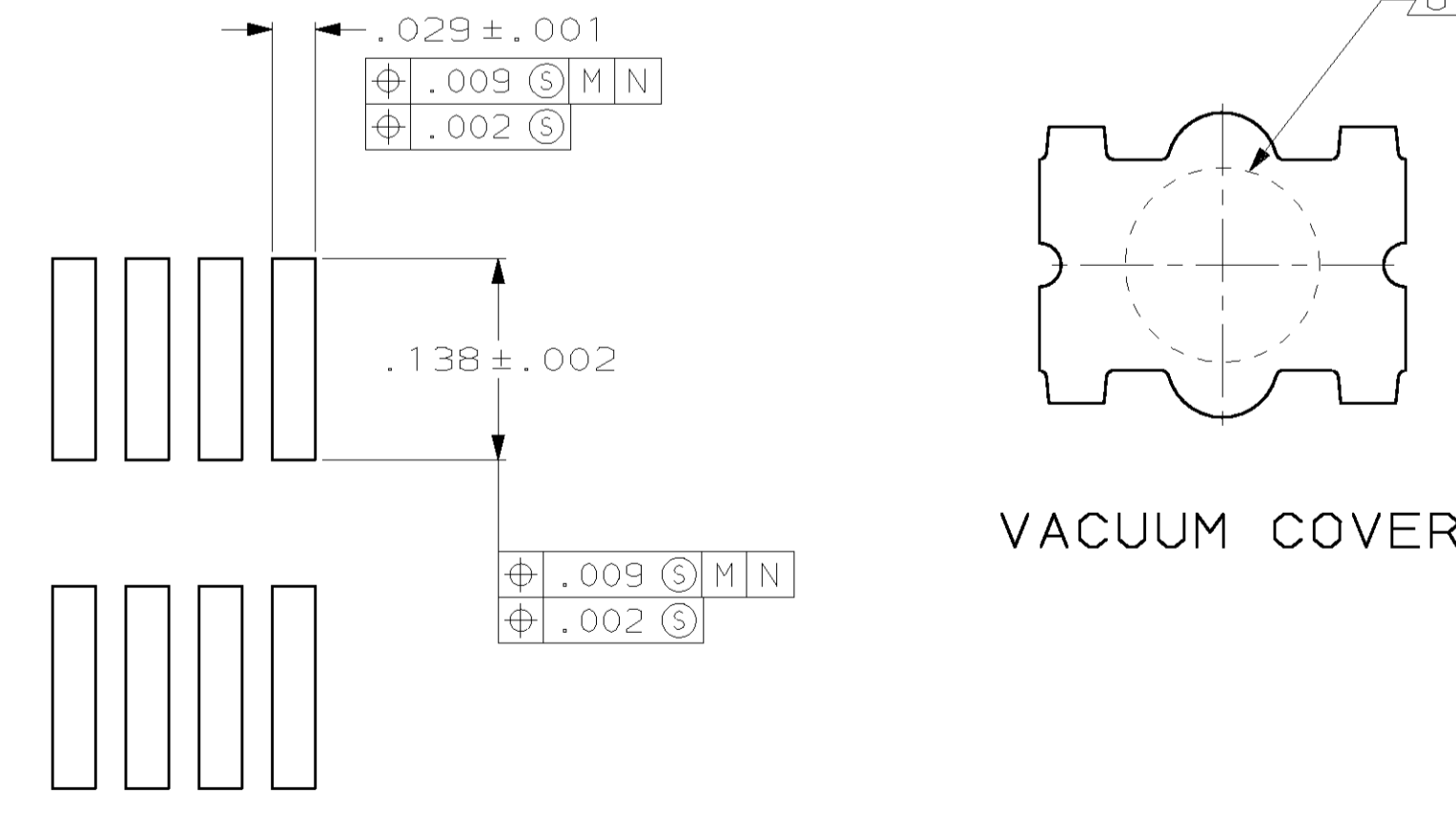
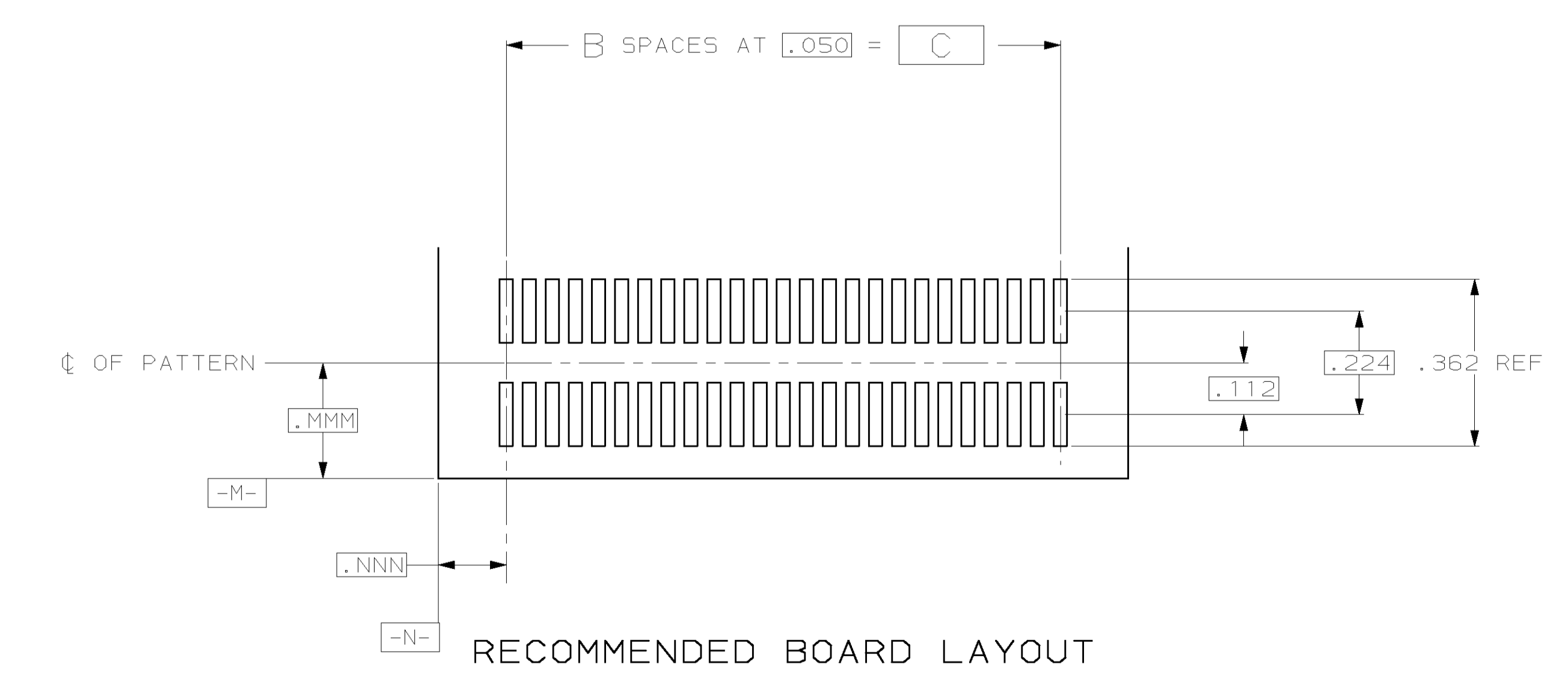
LOC		DIST		REVISIONS				
AD	00	TR	LYR	DESCRIPTION	DATE	OWN	APVD	
		E		REV PER 063C-0568-04	18OCT04	JR	DS	



- 1 .000030 GOLD IN LOCALIZED PLATE AREA, .000150 TIN-LEAD ON SOLDER TAILS ALL OVER .000050 NICKEL.
- 2 CIRCUIT IDENTIFICATION FEATURE OMITTED ON 10 POSITION HEADER ASSEMBLIES.
- 3 DIMENSION APPLIES AT BASE OF SHROUD.
- 4 THE NOTED DIMENSIONS APPLY AT THE MATING FACE OF THE HOUSING.
- 5 (Y3) (Y4) ARE LOCATED THE SAME AS (Y1) (Y2) EXCEPT ON OPPOSITE SIDE OF HOUSING.
- 6 VACUUM COVER DESIGNED FOR .160 [4mm] DIA NOZZLE. VACUUM COVER TO BE REMOVED AFTER SOLDERING.
- 7. PACKAGED IN TAPE AND REEL PER EIA-481 SPECIFICATIONS. SEE CHART FOR TAPE WIDTHS.
- 8 .265 [6.75mm] MIN TARGET AREA FOR VACUUM PICK-UP.
- 9 HOUSING: PPA. CONTACT: PHOSPHOR BRONZE. VACUUM COVER: ALUMINUM.
- 10 VACUUM COVER SHOWN IN PHANTOM LINE.
- 11 .000030 GOLD IN LOCALIZED PLATE AREA, .000150 TIN ON SOLDER TAILS, ALL OVER .000050 NICKEL.



DETAIL S



DETAIL G
SCALE 8:1

TAPE WIDTHS	C	B	A	NO OF POSN	PART NUMBER
56MM	1.050	21	1.230	44	11 6-147377-0
44mm	.550	11	.730	24	11 5-147377-9
88mm	2.450	49	2.630	100	11 5-147377-8
88mm	1.950	39	2.130	80	11 5-147377-7
72mm	1.450	29	1.630	60	11 5-147377-6
56mm	1.200	24	1.380	50	11 5-147377-5
56mm	.950	19	1.130	40	11 5-147377-4
56mm	.700	14	.880	30	11 5-147377-3
44mm	.450	9	.630	20	11 5-147377-2
32mm	.200	4	-	10	11 5-147377-1
56MM	1.050	21	1.230	44	1-147377-0
44mm	.550	11	.730	24	147377-9
88mm	2.450	49	2.630	100	147377-8
88mm	1.950	39	2.130	80	147377-7
72mm	1.450	29	1.630	60	147377-6
56mm	1.200	24	1.380	50	147377-5
56mm	.950	19	1.130	40	147377-4
56mm	.700	14	.880	30	147377-3
44mm	.450	9	.630	20	147377-2
32mm	.200	4	-	10	147377-1

THIS DRAWING IS A CONTROLLED DOCUMENT.

DW	B. HAYMAKER	17JAN00
CHK	J. MOSIER	17JAN00
APVD	J. MOSIER	17JAN00

AMP Incorporated
Harrisburg, PA 17105-3608

NAME: HEADER ASSEMBLY, W/SIDE & END LATCHES, VERTICAL, SHROUDED, DOUBLE ROW, SURFACE MOUNT
PRODUCT SPEC: 108-1093
APPLICATION SPEC: 114-25035

SIZE: A1
SCALE: 4:1
SHEET: 1 OF 1
REV: E