

Distributed by:

**JAMECO**<sup>®</sup>  
ELECTRONICS

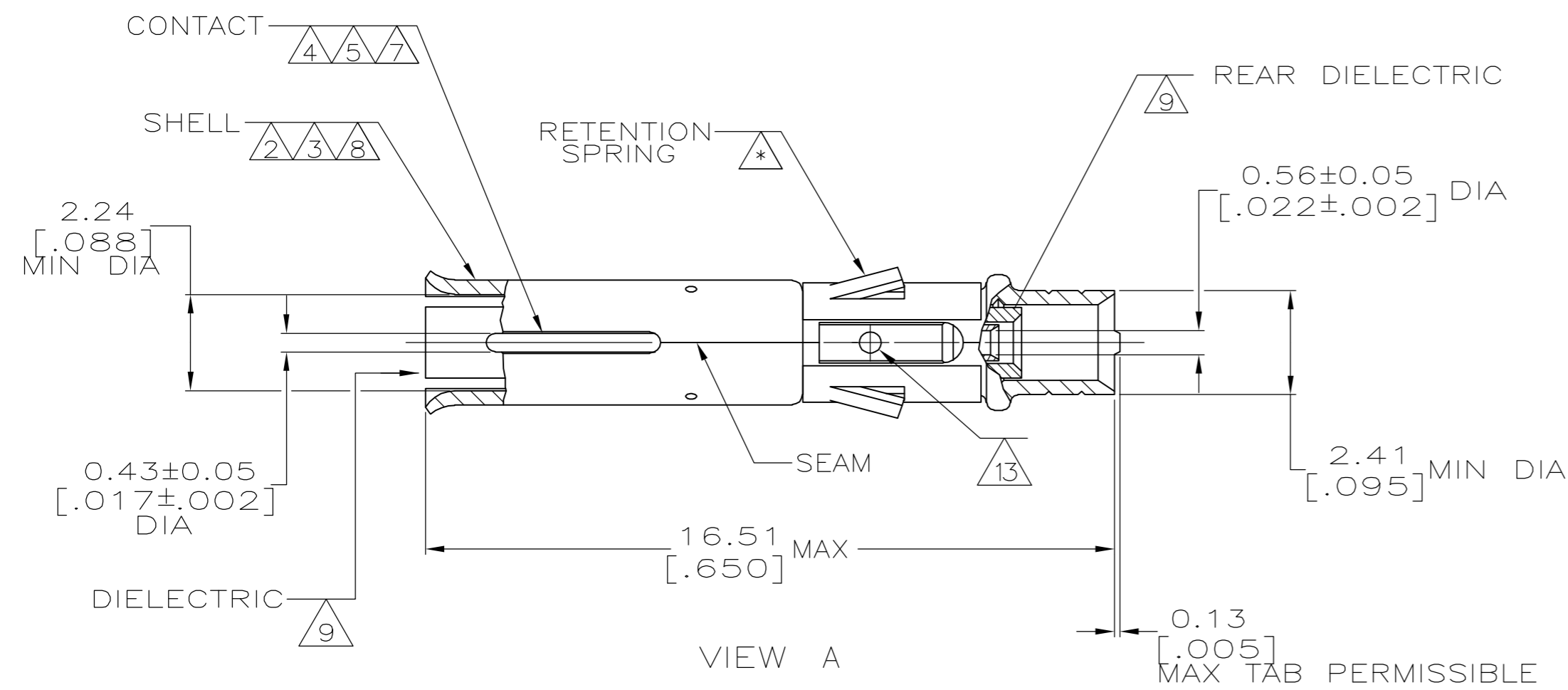
**www.Jameco.com ♦ 1-800-831-4242**

The content and copyrights of the attached  
material are the property of its owner.

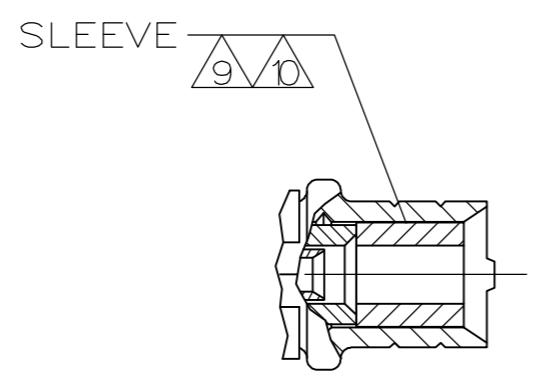
Jameco Part Number 850312

THIS DRAWING IS UNPUBLISHED. RELEASED FOR PUBLICATION  
 © COPYRIGHT BY TYCO ELECTRONICS CORPORATION. ALL RIGHTS RESERVED.

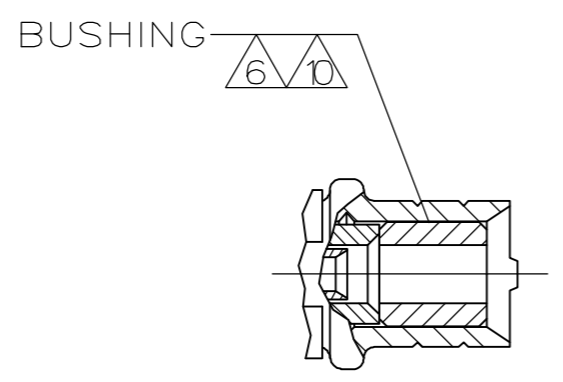
| LOC | DIST | REVISIONS |     |                             |         |     |      |
|-----|------|-----------|-----|-----------------------------|---------|-----|------|
|     |      | P         | LTR | DESCRIPTION                 | DATE    | DWN | APVD |
| AJ  | 16   |           | M   | REVISED PER EC 0514-0456-04 | 28NOV05 | BL  | JL   |



VIEW A



VIEW B



VIEW C

1. FOR CABLE SELECTION, FERRULE AND HANDTOOL PART NUMBERS, SEE I.S. 2024-2

- △2 GOLD PLATE PER MIL-G-45204,.000027 MINIMUM THICKNESS
- △3 GOLD PLATE PER MIL-G-45204,.000045 MINIMUM THICKNESS
- △4 GOLD PLATE PER MIL-G-45204,.000030 MINIMUM THICKNESS
- △5 GOLD PLATE PER MIL-G-45204,.000050 MINIMUM THICKNESS
- △6 TIN PLATE PER MIL-T-10272
- △7 BRASS PER QQ-B-626
- △8 BRASS PER MIL-C-50
- △9 POLYPROPYLENE,GENERAL PURPOSE
- △10 BRASS PER ASTM-B-135
- △11 STAINLESS STEEL,SPRING TEMPER PER QQ-S-766
- △12 PTFE PER MIL-P-19468
- △13 SIGHT HOLE VISIBLE THROUGH THE PORT SLOT ON RETENTION SPRING

|          |      |          |                  |             |
|----------|------|----------|------------------|-------------|
| OBSOLETE | A    | △2 △4    | △7 △8 △9 △11     | 1-51565-5   |
|          | A    | △2 △4    | △7 △8 △9 △11     | 1-51565-4   |
|          | B    | △3 △5    | △7 △8 △9 △10 △11 | 1-51565-3   |
| OBSOLETE | C    | △3 △5 △6 | △7 △8 △9 △10 △11 | 51565-6     |
| OBSOLETE | B    | △3 △5    | △7 △8 △9 △11     | 51565-5     |
| OBSOLETE | A    | △3 △5    | △7 △8 △9 △11     | 51565-4     |
|          | C    | △2 △4 △6 | △7 △8 △9 △10 △11 | 51565-3     |
|          | B    | △2 △4    | △7 △8 △9 △11     | 51565-2     |
| OBSOLETE | A    | △2 △4    | △7 △8 △9 △11     | 51565-1     |
|          | VIEW | FINISH   | MATERIAL         | PART NUMBER |

THIS DRAWING IS A CONTROLLED DOCUMENT.

|                  |           |         |
|------------------|-----------|---------|
| DWN              | B. WERNER | 4-23-91 |
| CHK              | D. DOYE   | 5-3-91  |
| APVD             | -         | -       |
| PRODUCT SPEC     | -         |         |
| APPLICATION SPEC | -         |         |
| WEIGHT           | -         | -       |
| CUSTOMER DRAWING | -         |         |

**tyco Electronics** Tyco Electronics Corporation  
Harrisburg, PA 17105-3608

NAME: SOCKET ASSEMBLY, SERIES SUBMINIATURE

|       |           |            |               |
|-------|-----------|------------|---------------|
| SIZE  | CAGE CODE | DRAWING NO | RESTRICTED TO |
| A2    | 00779     | C=51565    | -             |
| SCALE | SHEET     | REV        |               |
| 8:1   | 1 of 1    | M          |               |

DIMENSIONS: INCHES  
 TOLERANCES UNLESS OTHERWISE SPECIFIED:  
 0 PLC ± -  
 1 PLC ± -  
 2 PLC ± -  
 3 PLC ± -  
 4 PLC ± -  
 ANGLES ± -  
 FINISH SEE TABLE