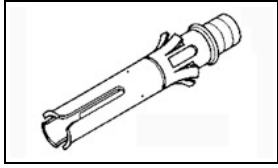


## 51565-1 Product Details



**51565-1**

TE Internal Number: 51565-1



### Multiple Coaxial Contacts (COAXICON)



#### Product Highlights:

- Contact
- Socket
- Applies To Coaxial Cable, Applies To Shielded Wire
- Cable Type = Belden 9221, RD 316, RG 161, RG 174, RG 174DB, RG 179, RG 179A, RG 179B, RG 187, RG 187A, RG 187DB, RG 188, RG 188A, RG 316
- Wire/Cable Type = Shielded

### Documentation & Additional Information

#### Product Drawings:

- [SOCKET ASSEMBLY, SERIES SUBMINIATURE](#) (PDF, English)

#### Catalog Pages/Data Sheets:

- [COAXICON Contacts](#) (PDF, English)
- [Coaxial Contacts](#) (PDF, English)
- [M\\_SERIES\\_PIN\\_AND\\_SOCKET\\_CONNECTORS](#) (PDF, English)
- [AMP Circular Connectors for Commercial Signal & Powe...](#) (PDF, English)

#### Product Specifications:

- [Subminiature COAXICON Contacts](#) (PDF, English)

#### Application Specifications:

- None Available

#### Instruction Sheets:

- [Selection of Multimate Pin and Socket Contacts](#) (PDF, English)
- [Instruction/Maintenance/Inspection Sheet Subminiatur...](#) (PDF, English)

#### CAD Files: (CAD Format & Compression Information)

- [2D Drawing](#) (DXF, Version N)
- [3D Model](#) (IGES, Version N)
- [3D Model](#) (STEP, Version N)

#### Related Products:

- [Tooling](#)

### Product Features (Please use the Product Drawing for all design activity)

#### Product Type Features:

- [Product Type](#) = Contact
- [Pin/Socket](#) = Socket
- [Cable Type](#) = Belden 9221, RD 316, RG 161, RG 174, RG 174DB, RG 179, RG 179A, RG 179B, RG 187, RG 187A, RG 187DB, RG 188, RG 188A, RG 316
- [Wire/Cable Type](#) = Shielded
- [Connector Family](#) = CPC, G Series, M Series, Metrimate
- [Dielectric Material](#) = TPX

#### Electrical Characteristics:

- [Impedance Options](#) = Non-Matched

#### Body Features:

- [Wire Range \(mm \[AWG\]\)](#) = 0.12-0.15; [26]
- [Body Style](#) = Straight
- [Outer Shell Material](#) = Brass per MIL-C-50
- [Outer Shell Plating](#) = Gold (30) over Nickel (50)

#### Contact Features:

- [Mating Contact Retention](#) = Without
- [Contact Configuration](#) = Coax
- [Contact Size](#) = 16
- [Contact Plating, Mating Area, Material](#) = Gold (30)
- [Center Conductor Material](#) = Brass per QQ-B-626
- [Center Conductor Plating](#) = Gold (30) over Nickel (50)

#### Industry Standards:

- [RoHS/ELV Compliance](#) = RoHS compliant, ELV compliant
- [Lead Free Solder Processes](#) = Not relevant for lead free process
- [RoHS/ELV Compliance History](#) = Always was RoHS compliant

#### Conditions for Usage:

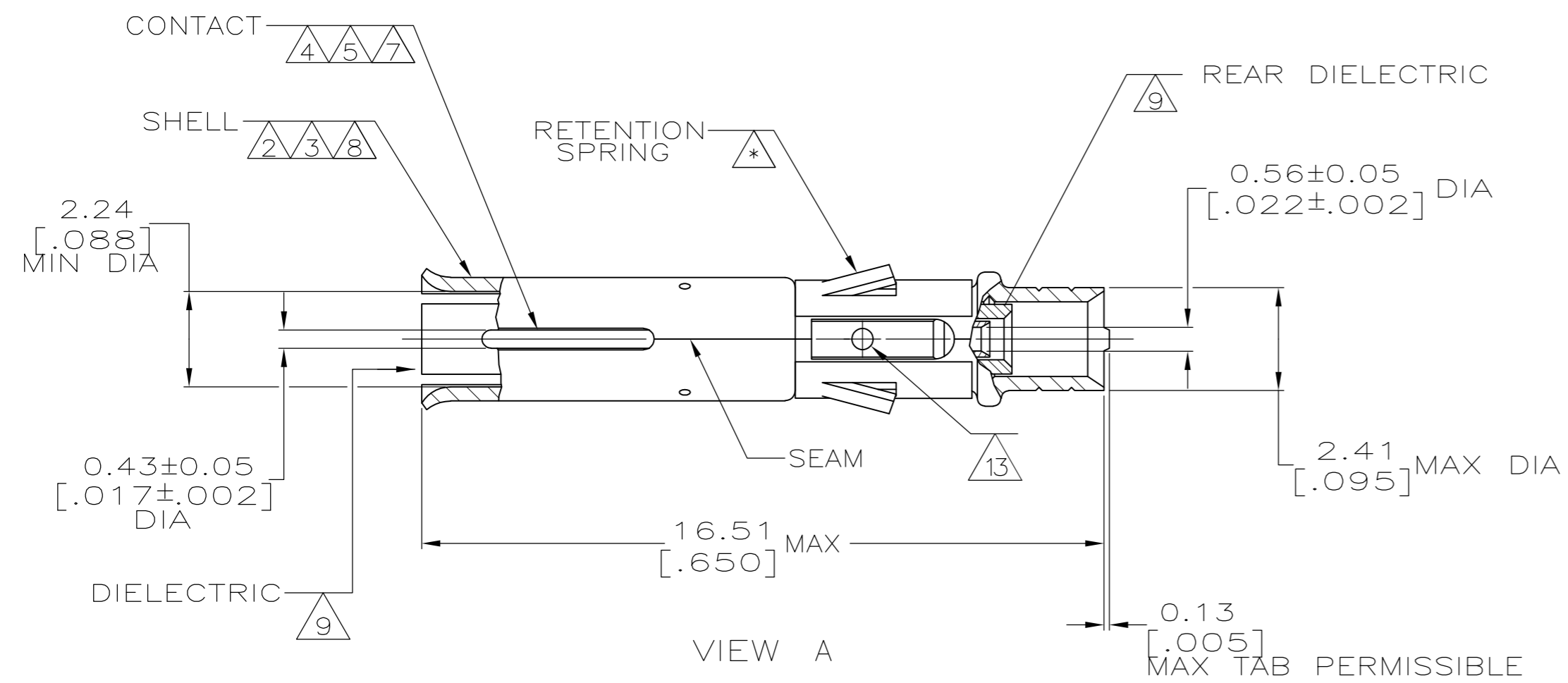
- [Applies To](#) = Coaxial Cable, Shielded Wire

#### Other:

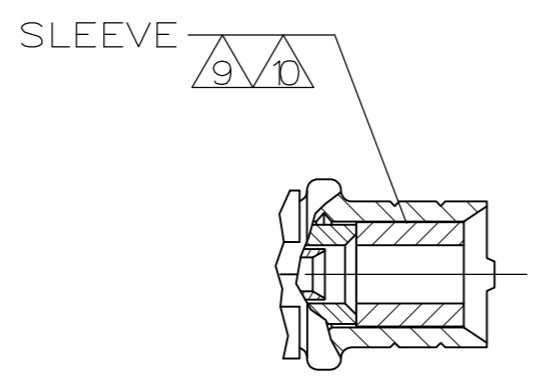
- [Brand](#) = AMP
- [Comment](#) = A ferrule is required for each pin and socket.; Extraction Tool No. 305183

THIS DRAWING IS UNPUBLISHED. RELEASED FOR PUBLICATION  
 © COPYRIGHT - By - ALL RIGHTS RESERVED.

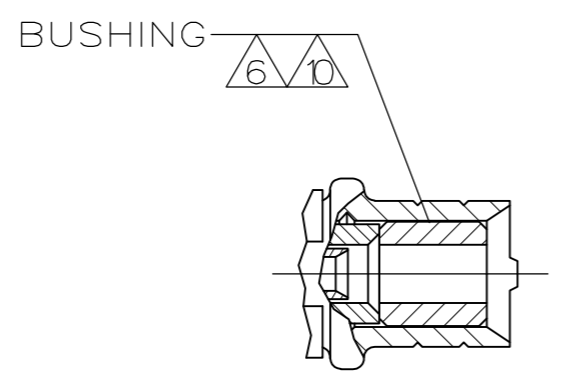
LOC		DIST		REVISIONS			
P	LTR	DESCRIPTION		DATE	DWN	APVD	
AJ	16	N2	REVISED PER ECO-11-005030		11MAR11	RK	HMR



VIEW A



VIEW B



VIEW C

1. FOR CABLE SELECTION, FERRULE AND HANDTOOL PART NUMBERS, SEE I.S. 2024-2

- △2 GOLD PLATE PER MIL-G-45204,.000027 MINIMUM THICKNESS
- △3 GOLD PLATE PER MIL-G-45204,.000045 MINIMUM THICKNESS
- △4 GOLD PLATE PER MIL-G-45204,.000030 MINIMUM THICKNESS
- △5 GOLD PLATE PER MIL-G-45204,.000050 MINIMUM THICKNESS
- △6 TIN PLATE PER MIL-T-10272
- △7 BRASS PER QQ-B-626
- △8 BRASS PER MIL-C-50
- △9 POLYPROPYLENE,GENERAL PURPOSE
- △10 BRASS PER ASTM-B-135
- △11 STAINLESS STEEL,SPRING TEMPER PER QQ-S-766
- △12 PTFE PER MIL-P-19468
- △13 SIGHT HOLE VISIBLE THROUGH THE PORT SLOT ON RETENTION SPRING
- △14 OBSOLETE PARTS: OBSOLETE CIS STREAMLINING PER D.RENAUD/D.SINISI

△13	OBSOLETE	A	△2 △4	△7 △8 △9 △11	1-51565-5
△14	OBSOLETE	A	△2 △4	△7 △8 △9 △11	1-51565-4
	OBSOLETE	B	△3 △5	△7 △8 △9 △11 △12	1-51565-3
	OBSOLETE	C	△3 △5 △6	△7 △8 △9 △10 △11	51565-6
	OBSOLETE	B	△3 △5	△7 △8 △9 △11	51565-5
	OBSOLETE	A	△3 △5	△7 △8 △9 △11	51565-4
	OBSOLETE	C	△2 △4 △6	△7 △8 △9 △10 △11	51565-3
	OBSOLETE	B	△2 △4	△7 △8 △9 △11	51565-2
	OBSOLETE	A	△2 △4	△7 △8 △9 △11	51565-1
		VIEW	FINISH	MATERIAL	PART NUMBER

THIS DRAWING IS A CONTROLLED DOCUMENT. DWN 4-23-91 B. WERNER  
 CHK 5-3-91 D. DOYE  
 APVD -  
 PRODUCT SPEC -  
 APPLICATION SPEC -  
 WEIGHT -

**STE** TE Connectivity

SOCKET ASSEMBLY, SERIES SUBMINIATURE

SIZE A2 CAGE CODE 00779 DRAWING NO C=51565 RESTRICTED TO -  
 SCALE 8:1 SHEET 1 of 1 REV N2

DIMENSIONS: INCHES TOLERANCES UNLESS OTHERWISE SPECIFIED:  
 0 PLC ± -  
 1 PLC ± -  
 2 PLC ± -  
 3 PLC ± -  
 4 PLC ± -  
 ANGLES ± -  
 MATERIAL SEE TABLE FINISH SEE TABLE

CUSTOMER DRAWING