



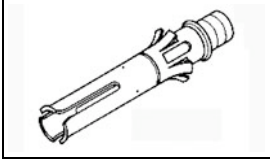
Have a Question?  
Chat with a Product Information Specialist

What can we help you find?

[Products](#) [Industries](#) [Resources](#) [About TE](#) [My Account](#) [Innovation](#) [Support Center](#)

**51565-2 Product Details**

[Share](#) [Print](#) [Email](#)



**51565-2**

TE Internal Number: 51565-2

Active

[View 3D PDF](#)

**Multiple Coaxial Contacts (COAXICON)**

Always EU RoHS/ELV Compliant (Statement of Compliance)

**Product Highlights:**

- Contact
- Socket
- Applies To Coaxial Cable
- Cable Type = RG 178, RG 178A, RG 178B, RG 196, RG 196DB, RG 196A
- Body Style = Straight

[View all Features](#)

**Quick Links**

- ▶ [Pricing & Availability](#)
- ▶ [Search for Tooling](#)
- ▶ [Product Feature Selector](#)
- ▶ [Contact Us About This Product](#)

[Add to My Part List](#) [Request Sample](#) [Find Similar Products](#) [Buy Product](#)

**Documentation & Additional Information**

**Product Drawings:**

- [SOCKET ASSEMBLY, SERIES SUBMINIATURE \(PDF, English\)](#)

**Catalog Pages/Data Sheets:**

- [COAXICON Contacts \(PDF, English\)](#)
- [Coaxial Contacts \(PDF, English\)](#)
- [M\\_SERIES\\_PIN\\_AND\\_SOCKET\\_CONNECTORS \(PDF, English\)](#)
- [AMP Circular Connectors for Commercial Signal & Power... \(PDF, English\)](#)

**Product Specifications:**

- [Subminiature COAXICON Contacts \(PDF, English\)](#)

**Application Specifications:**

- None Available

**Instruction Sheets:**

- [Selection of Multimate Pin and Socket Contacts \(PDF, English\)](#)
- [Instruction/Maintenance/Inspection Sheet Subminiatur... \(PDF, English\)](#)
- [TYPICAL ASSEMBLY \(PDF, English\)](#)

**CAD Files: (CAD Format & Compression Information)**

- [2D Drawing \(DXF, Version N\)](#)
- [3D Model \(IGES, Version N\)](#)
- [3D Model \(STEP, Version N\)](#)

[List all Documents](#)

**Related Products:**

- [Tooling](#)

**Product Features (Please use the Product Drawing for all design activity)**

**Product Type Features:**

- [Product Type](#) = Contact
- [Pin/Socket](#) = Socket
- [Cable Type](#) = RG 178, RG 178A, RG 178B, RG 196, RG 196DB, RG 196A
- [Connector Family](#) = CPC, G Series, M Series, Metrimate
- [Dielectric Material](#) = TPX

**Electrical Characteristics:**

- [Impedance Options](#) = Non-Matched

**Body Features:**

- [Body Style](#) = Straight
- [Outer Shell Material](#) = Brass per MIL-C-50
- [Outer Shell Plating](#) = Gold (30) over Nickel (50)

**Contact Features:**

- [Mating Contact Retention](#) = Without
- [Contact Configuration](#) = Coax
- [Contact Size](#) = 16
- [Contact Plating, Mating Area, Material](#) = Gold (30)
- [Contact Conductor Material](#) = Brass per MIL-C-50

**Industry Standards:**

- [RoHS/ELV Compliance](#) = RoHS compliant, ELV compliant
- [Lead Free Solder Processes](#) = Not relevant for lead free process
- [RoHS/ELV Compliance History](#) = Always was RoHS compliant

**Conditions for Usage:**

- [Applies To](#) = Coaxial Cable

**Other:**

- [Brand](#) = AMP
- [Comment](#) = A ferrule is required for each pin and socket.

- Center Conductor Material = Brass per QQ-B-020
- Center Conductor Plating = Gold (30) over Nickel (50)

### Corporate Information

- [About TE](#)
- [Investors](#)
- [News Room](#)
- [Supplier Portal](#)
- [Careers](#)
- [Terms & Conditions](#)
- [Privacy Policy](#)

### Quick Links

- [Distributor Inventory](#)
- [Product Cross Reference](#)
- [Documents & Drawings](#)
- [Product Compliance Support Center](#)
- [Site Map](#)

### Customer Support

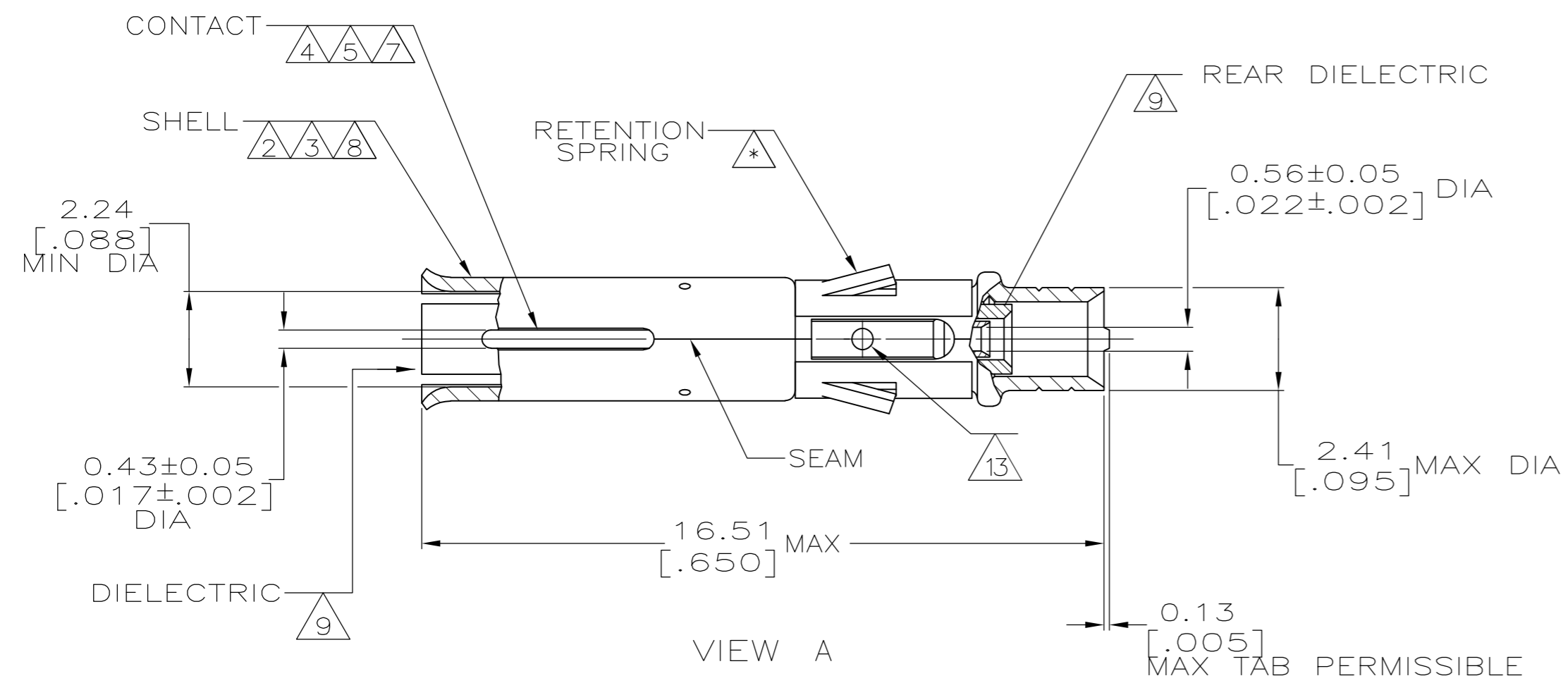
- [Email or Chat With Us](#)
- [Find a Phone Number](#)
- [Knowledge Base](#)
- [Manage Your Account](#)

### Keep Me Informed

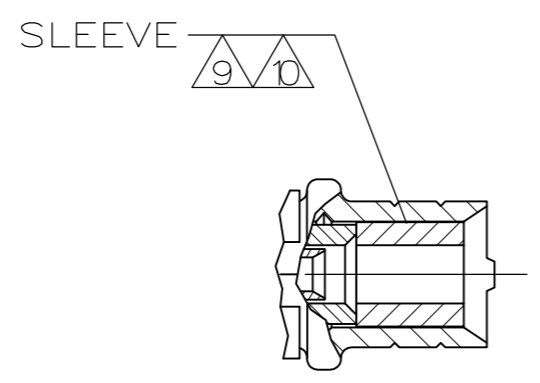


THIS DRAWING IS UNPUBLISHED. RELEASED FOR PUBLICATION  
 © COPYRIGHT - By - ALL RIGHTS RESERVED.

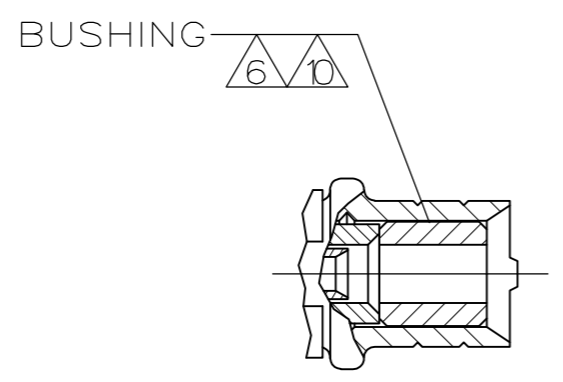
LOC		DIST		REVISIONS			
P	LTR	DESCRIPTION		DATE	DWN	APVD	
AJ	16	N2	REVISED PER ECO-11-005030	11MAR11	RK	HMR	



VIEW A



VIEW B



VIEW C

1. FOR CABLE SELECTION, FERRULE AND HANDTOOL PART NUMBERS, SEE I.S. 2024-2

- △2 GOLD PLATE PER MIL-G-45204,.000027 MINIMUM THICKNESS
- △3 GOLD PLATE PER MIL-G-45204,.000045 MINIMUM THICKNESS
- △4 GOLD PLATE PER MIL-G-45204,.000030 MINIMUM THICKNESS
- △5 GOLD PLATE PER MIL-G-45204,.000050 MINIMUM THICKNESS
- △6 TIN PLATE PER MIL-T-10272
- △7 BRASS PER QQ-B-626
- △8 BRASS PER MIL-C-50
- △9 POLYPROPYLENE,GENERAL PURPOSE
- △10 BRASS PER ASTM-B-135
- △11 STAINLESS STEEL,SPRING TEMPER PER QQ-S-766
- △12 PTFE PER MIL-P-19468
- △13 SIGHT HOLE VISIBLE THROUGH THE PORT SLOT ON RETENTION SPRING
- △14 OBSOLETE PARTS: OBSOLETE CIS STREAMLINING PER D.RENAUD/D.SINISI

△13	OBSOLETE	A	△2 △4	△7 △8 △9 △11	1-51565-5
△14	OBSOLETE	A	△2 △4	△7 △8 △9 △11	1-51565-4
	OBSOLETE	B	△3 △5	△7 △8 △9 △11 △12	1-51565-3
	OBSOLETE	C	△3 △5 △6	△7 △8 △9 △10 △11	51565-6
	OBSOLETE	B	△3 △5	△7 △8 △9 △11	51565-5
	OBSOLETE	A	△3 △5	△7 △8 △9 △11	51565-4
	OBSOLETE	C	△2 △4 △6	△7 △8 △9 △10 △11	51565-3
	OBSOLETE	B	△2 △4	△7 △8 △9 △11	51565-2
	OBSOLETE	A	△2 △4	△7 △8 △9 △11	51565-1
		VIEW	FINISH	MATERIAL	PART NUMBER

THIS DRAWING IS A CONTROLLED DOCUMENT. DWN 4-23-91 B. WERNER  
 CHK 5-3-91 D. DOYE  
 APVD -  
 PRODUCT SPEC -  
 APPLICATION SPEC -  
 WEIGHT -

**STE** TE Connectivity

SOCKET ASSEMBLY, SERIES SUBMINIATURE

SIZE A2 CAGE CODE 00779 DRAWING NO C=51565 RESTRICTED TO -  
 SCALE 8:1 SHEET 1 of 1 REV N2

DIMENSIONS: INCHES TOLERANCES UNLESS OTHERWISE SPECIFIED:  
 0 PLC ± -  
 1 PLC ± -  
 2 PLC ± -  
 3 PLC ± -  
 4 PLC ± -  
 ANGLES ± -

MATERIAL SEE TABLE FINISH SEE TABLE

CUSTOMER DRAWING