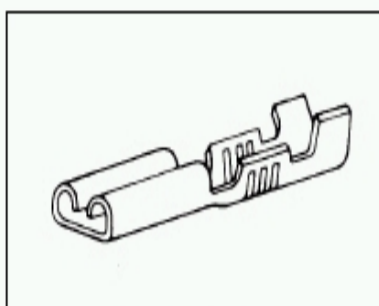


## 5-160491-2 Product Details

Have a Question?

Chat with a Product Information Specialist



5-160491-2

TE Internal Number: 5-160491-2

Active

[View 3D PDF](#)

### FASTON Uninsulated Receptacles & Housings

[Always EU RoHS/ELV Compliant \(Statement of Compliance\)](#)

#### Product Highlights:

- Product Classification = Connectors - Terminals and Splices
- Terminal
- Terminal Type = Receptacle
- Mating Area Interface Dimensions = 4.75 x 0.81 mm
- Board Mount = No

[View all Features](#)

#### Quick Links

- ▶ [Check Pricing & Availability](#)
- ▶ [Search for Tooling](#)
- ▶ [Product Feature Selector](#)
- ▶ [Contact Us About This Product](#)

[Add to My Part List](#)
[Request Sample](#)
[Find Similar Products](#)
[Buy Product](#)

### Documentation & Additional Information

#### Product Drawings:

- [FASTON conn. .187 sr. rec. etc. \(PDF, English\)](#)

#### Catalog Pages/Data Sheets:

- None Available

#### Product Specifications:

- None Available

#### Application Specifications:

- None Available

#### Instruction Sheets:

- None Available

#### CAD Files: [\(CAD Format & Compression Information\)](#)

- [2D Drawing \(DXF, Version K\)](#)
- [3D Model \(IGES, Version K\)](#)
- [3D Model \(STEP, Version K\)](#)

#### Additional Information:

- [Product Line Information](#)

#### Related Products:

- [Tooling](#)

[List all Documents](#)

### Product Features (Please use the Product Drawing for all design activity)

#### Product Type Features:

- Product Classification = Connectors - Terminals and Splices
- Product Type = Terminal
- [Terminal Type](#) = Receptacle
- [Mating Area Interface Dimensions \(mm \[in\]\)](#) = 4.75 x 0.81 [.187 x .032]
- [Receptacle Style](#) = Straight
- [Insulation Support](#) = Insulation Support
- [Wire/Cable Type](#) = Stranded
- [Insulation Diameter \(mm \[in\]\)](#) = 3.00-4.29 [.118-.169]
- [Insertion Force](#) = Normal
- [Material](#) = Brass
- [Finish](#) = Tin
- [Crimp Type](#) = F-Crimp

#### Mechanical Attachment:

- [Board Mount](#) = No

#### Body Related Features:

- [Weld Tab](#) = Without
- [Wire Range \(mm \[AWG\]\)](#) = 1.00-2.50<sup>2</sup> [17-13]

#### Industry Standards:

- [RoHS/ELV Compliance](#) = RoHS compliant, ELV compliant
- [Lead Free Solder Processes](#) = Not relevant for lead free process
- RoHS/ELV Compliance History = Always was RoHS compliant
- UL Rating = Listed
- CSA Certified = Yes

#### Packaging Related Features:

- [Packaging Method](#) = Loose Piece

#### Other:

- [For Hermetic Header Tab](#) = No
- [Line](#) = Commercial
- Brand = AMP

BOOKMARK

#### Corporate Information

- [Who We Are](#)
- [Investors](#)
- [News Room](#)
- [Supplier Portal](#)
- [Careers](#)

#### Quick Links

- [Check Distributor Inventory](#)
- [Cross Reference](#)
- [Find Documents & Drawings](#)
- [Product Compliance Support Center](#)
- [Site Map](#)

#### Customer Support

- [Email or Chat with Us](#)
- [Find a Phone Number](#)
- [Search Knowledge Base](#)
- [Manage Your Account](#)

#### Sign up for our eNewsletter

Enter your email address

#### Follow Us On:



Visit Us On:

