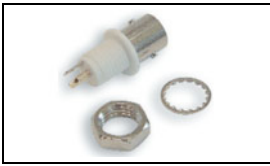


## 5-1634504-1 Product Details

[Share](#) [Print](#) [Email](#)



**5-1634504-1**

TE Internal Number: 5-1634504-1

 Active

 [View 3D PDF](#)

### BNC RF Connectors

 Always EU RoHS/ELV Compliant (Statement of Compliance)

#### Product Highlights:

- Connector - RF
- Jack
- Connector Style = Jack
- Applies To Wire/Cable
- Body Style = Straight

[View all Features](#)

### Quick Links

- ▶ [Pricing & Availability](#)
- ▶ [Search for Tooling](#)
- ▶ [Product Feature Selector](#)
- ▶ [Contact Us About This Product](#)

[Add to My Part List](#)

[Request Sample](#)

[Find Similar Products](#)

[Buy Product](#)

### Documentation & Additional Information

#### Product Drawings:

- [BNC INSULATED BULKHEAD SOCKET FRONT MOUNT](#) (PDF, English)

#### Catalog Pages/Data Sheets:

- [ZDC\\_RF\\_COAX\\_CONNECTOR\\_SERIES\\_50&75\\_OHM](#) (PDF, English)

#### Product Specifications:

- None Available

#### Application Specifications:

- None Available

#### Instruction Sheets:

- None Available

#### CAD Files: [\(CAD Format & Compression Information\)](#)

- [2D Drawing](#) (DXF, Version B)
- [3D Model](#) (IGES, Version B)
- [3D Model](#) (STEP, Version B)

[List all Documents](#)

#### Related Products:

- [Tooling](#)

### Product Features (Please use the Product Drawing for all design activity)

#### Product Type Features:

- [Product Type](#) = Connector - RF
- Gender = Jack
- Grade = Commercial
- Sealed = No
- Isolated = Yes
- Dielectric Material = Polyester, PBT
- Color = White
- Flats Dimension = 12.7

#### Mechanical Attachment:

- [Hardware Included](#) = Yes
- [Panel Mount Retention](#) = With
- Panel Mount Retention Type = Hex Nut
- Panel Cutout = 8.7mm x 9.6mm D-Shape
- Flange Dimension [Dia.] (mm [in]) = 12.7 [0.5]

#### Electrical Characteristics:

- [Connector Impedance \(Ω\)](#) = 50

#### Dimensions:

- Panel Thickness (mm [in]) = 1.50 - 3.20 [0.059 - 0.126]

#### Body Features:

- [Body Style](#) = Straight
- Body Shape = Circular
- [Body Material](#) = Zinc
- [Body Plating](#) = Nickel
- [Body Insulation](#) = With
- [Polarized](#) = No
- Mount Direction = Front

#### Contact Features:

- [Center Contact Material](#) = Phosphor Bronze
- [Center Contact Plating](#) = Gold

#### Housing Features:

- Connector Style = Jack

#### Configuration Features:

- Number of Ports = 1
- Solder Terminal = With

#### Industry Standards:

- Government/Industry Qualification = No
- [RoHS/ELV Compliance](#) = RoHS compliant, ELV compliant
- [Lead Free Solder Processes](#) = Wave solder capable to 260°C, Wave solder capable to 240°C, Wave solder capable to 265°C
- RoHS/ELV Compliance History = Always was RoHS compliant

#### Environmental:

- Operating Temperature (Max.) (°C) = 85

#### Conditions for Usage:

- [Applies To](#) = Wire/Cable
- For Use With = ZDC/BNC Connector

#### Packaging Features:

- Packaging Method = Individual

#### Other:

- Brand = Greenpar
- Comment = With Ground Tab

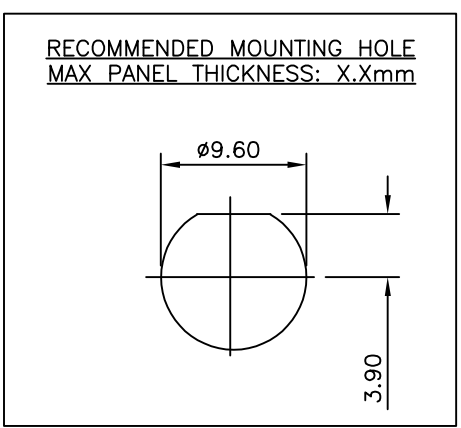
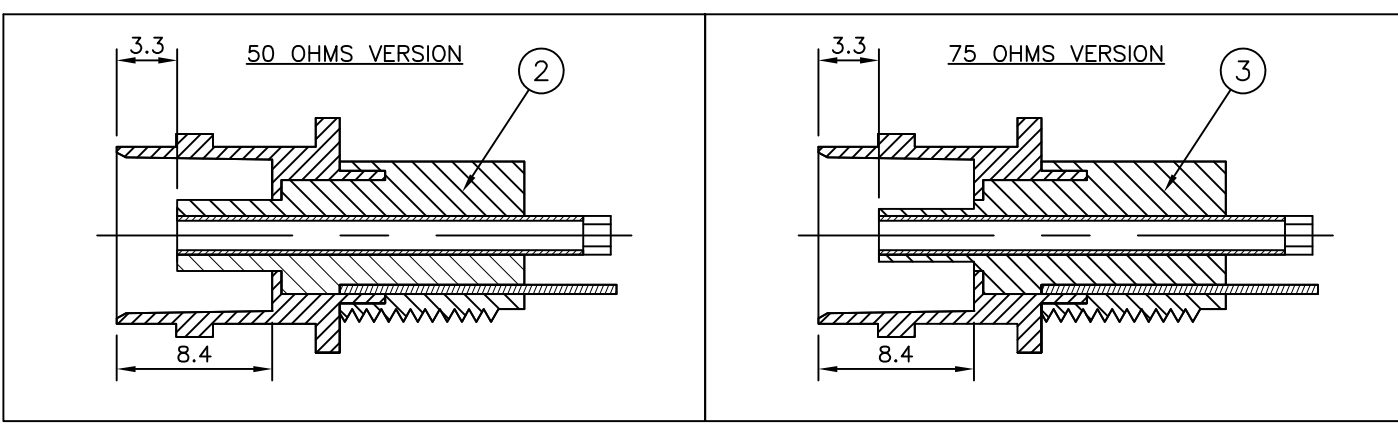
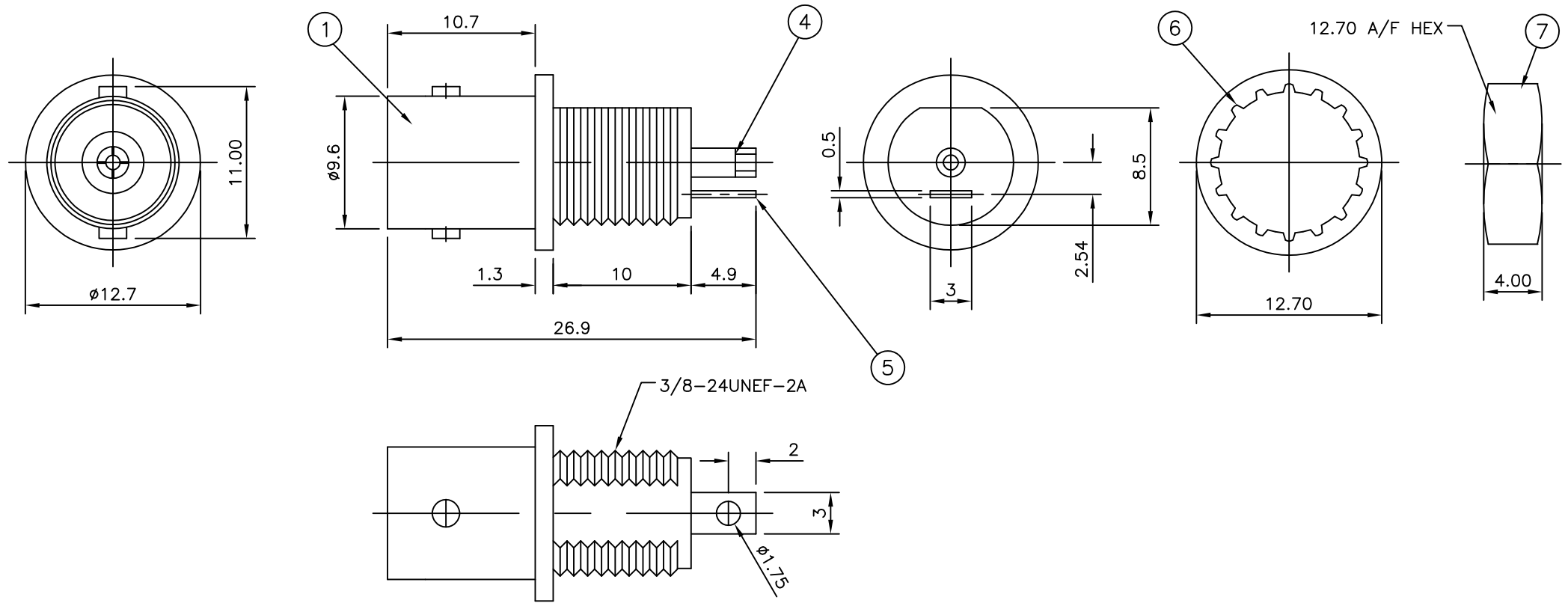
THIS DRAWING IS UNPUBLISHED. RELEASED FOR PUBLICATION AUGUST, 2005.

© COPYRIGHT 2005 By - ALL RIGHTS RESERVED.

LOC	DIST	REVISIONS			
P	LTR	DESCRIPTION	DATE	DWN	APVD
E	B	B1	REVISED PER ECO-11-005033	31MAR11	RK HMR
		C	REVISED PER ECO-12-002190	03FEB12	TITAN MARTIN

NOTES

- 1 100 TRAY PACK IN ACCORDANCE WITH AMP SPEC 107-3275
- 2 SINGLE PACK IN ACCORDANCE WITH AMP SPEC 107-3275
- 3 Au PLATING OVER Ni PLATING OVER Cu PLATING
- 4 Ni PLATING OVER Cu PLATING
- 5. FOR TECHNICAL DATA REFER TO YOUR LOCAL TE CONNECTIVITY SALES OFFICE
- 6. ALL DIMENSIONS ARE NOMINAL FOR REFERENCE ONLY UNLESS OTHERWISE STATED



OBSOLETE		OBSOLETE		QUANTITY PER ASSY	PARTS LIST
1	1	1	1	BRASS	HEX NUT 7
1	1	1	1	STEEL	LOCK WASHER 6
1	1	1	1	BRASS	GROUND TAG 5
1	1	1	1	PHOS BRONZE	CONTACT 4
	1	-	-	PBT POLYESTER	INSULATOR 3
	-	1	1	PBT POLYESTER	INSULATOR 2
1	1	1	1	ZINC ALLOY	BODY 1
5--3	5--2	5--1	5--0	MATERIAL	DESCRIPTION ITEM

THIS DRAWING IS A CONTROLLED DOCUMENT.

DWN	RITA ZUO	24 Feb 09	 TE Connectivity	BNC INSULATED BULKHEAD SOCKET FRONT MOUNT			
CHK	ANSON MA	24 Feb 09					
APVD	BOB ZHAO	24 Feb 09					
PRODUCT SPEC	108-112000						
APPLICATION SPEC			SIZE	CAGE CODE	DRAWING NO	RESTRICTED TO	
				A300779	C-1634504		
MATERIAL	SEE TABLE	FINISH	SEE TABLE	CUSTOMER DRAWING	SCALE	SHEET	REV
					NTS	1 OF 1	C