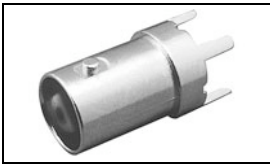


## 5-1634506-1 Product Details

[Share](#) [Print](#) [Email](#)



**5-1634506-1**

TE Internal Number: 5-1634506-1

 Active

 [View 3D PDF](#)

### BNC RF Connectors

 Always EU RoHS/ELV Compliant (Statement of Compliance)

#### Product Highlights:

- Connector - RF
- Jack
- Connector Style = Jack
- Applies To Printed Circuit Board
- Body Style = Straight

[View all Features](#)

### Quick Links

- ▶ [Pricing & Availability](#)
- ▶ [Search for Tooling](#)
- ▶ [Product Feature Selector](#)
- ▶ [Contact Us About This Product](#)

[Add to My Part List](#)

[Request Sample](#)

[Find Similar Products](#)

[Buy Product](#)

### Documentation & Additional Information

#### Product Drawings:

- [BNC STRAIGHT PCB SOCKET](#) (PDF, English)

#### Catalog Pages/Data Sheets:

- None Available

#### Product Specifications:

- None Available

#### Application Specifications:

- None Available

#### Instruction Sheets:

- None Available

#### CAD Files: [\(CAD Format & Compression Information\)](#)

- [2D Drawing](#) (DXF, Version B)
- [3D Model](#) (IGES, Version B)
- [3D Model](#) (STEP, Version B)

[List all Documents](#)

#### Related Products:

- [Tooling](#)

### Product Features (Please use the Product Drawing for all design activity)

#### Product Type Features:

- [Product Type](#) = Connector - RF
- Gender = Jack
- [PCB Mounting Orientation](#) = Vertical
- Grade = Commercial
- [PCB Mount Retention](#) = With
- [PCB Mount Retention Type](#) = Hold Down Post(s)
- [Mounting Post Style](#) = Standard
- Sealed = No
- Isolated = No
- [Dielectric Material](#) = TPX

#### Mechanical Attachment:

- Surface Mountable = No
- [Hardware Included](#) = No
- Panel Mount Retention = Without

#### Electrical Characteristics:

- [Connector Impedance \(Ω\)](#) = 50

#### Dimensions:

- [PCB Height \(mm \[in\]\)](#) = 16.70 [0.657]
- [Mounting Post Length \(mm \[in\]\)](#) = 3.18 [0.125]

#### Body Features:

- [Body Style](#) = Straight
- [Body Shape](#) = Vertical-Unflanged Base
- [Body Material](#) = Zinc
- [Body Plating](#) = Nickel
- [Body Insulation](#) = Without
- Polarized = No

#### Contact Features:

- [Center Contact Material](#) = Phosphor Bronze
- [Center Contact Plating](#) = Gold

#### Housing Features:

- [Connector Style](#) = Jack

#### Configuration Features:

- [Number of Ports](#) = 1

#### Industry Standards:

- [Government/Industry Qualification](#) = No
- [RoHS/ELV Compliance](#) = RoHS compliant, ELV compliant
- [Lead Free Solder Processes](#) = Wave solder capable to 240°C, Wave solder capable to 260°C, Wave solder capable to 265°C
- [RoHS/ELV Compliance History](#) = Always was RoHS compliant

#### Conditions for Usage:

- [Applies To](#) = Printed Circuit Board

#### Other:

- Brand = TE Connectivity

THIS DRAWING IS UNPUBLISHED.

RELEASED FOR PUBLICATION OCT ,2005.

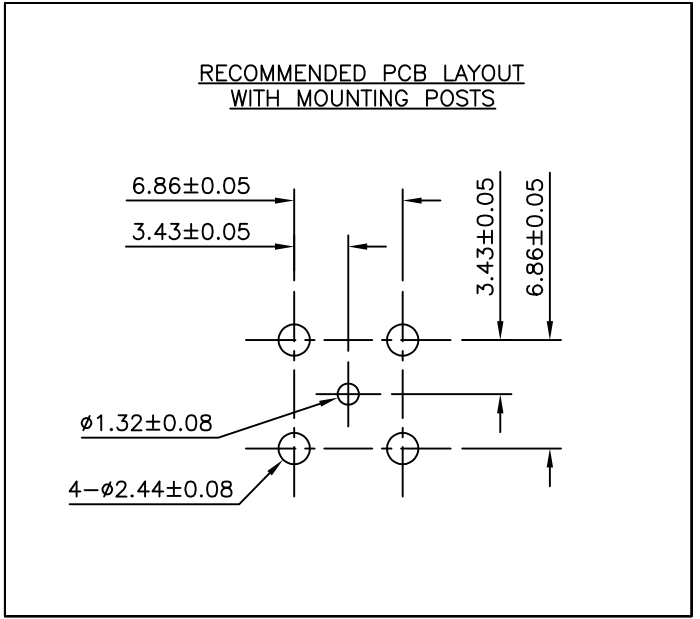
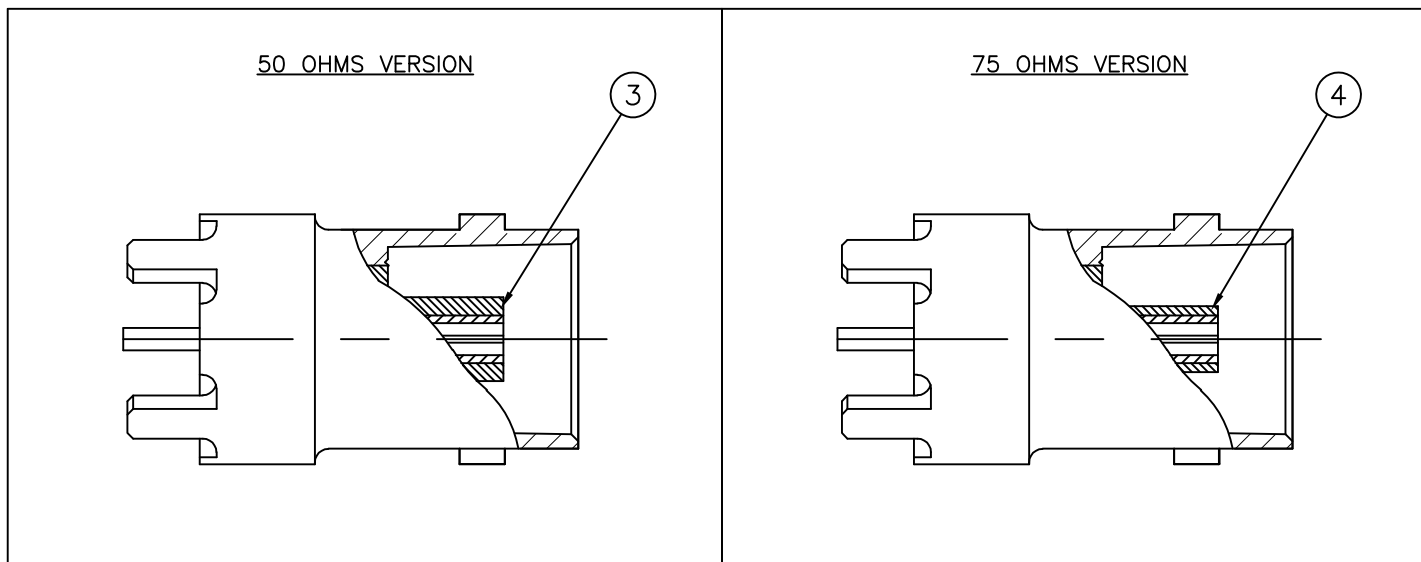
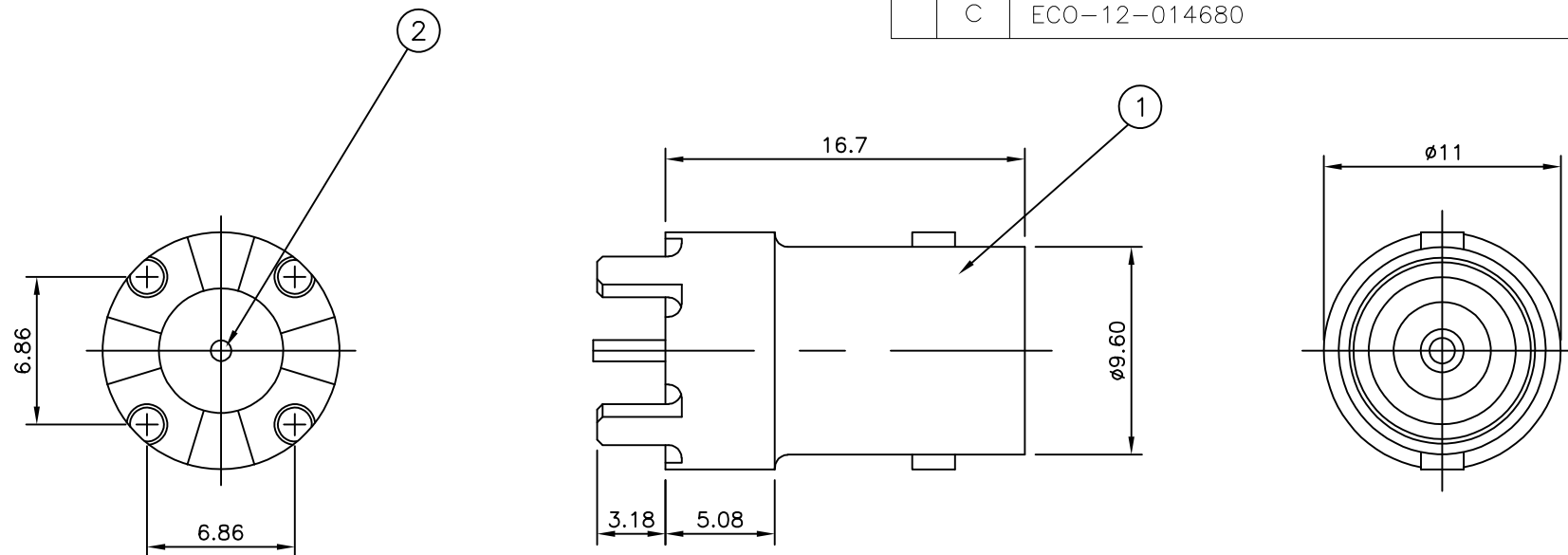
© COPYRIGHT 2005 By -

ALL RIGHTS RESERVED.

LOC	DIST	REVISIONS			
P	LTR	DESCRIPTION	DATE	DWN	APVD
E	B	B1	REVISED PER ECO-11-005033	31MAR11	RK HMR
		C	ECO-12-014680	20Aug2012	TITAN MARTIN


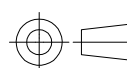
NOTES

- ① 100 TRAY PACK IN ACCORDANCE WITH AMP SPEC 107-3275
- ② SINGLE PACK IN ACCORDANCE WITH AMP SPEC 107-3275
- ③ Au PLATING
- ④ Ni PLATING



		Obsolete	Obsolete					
		1	1	-	-	TPX	INSULATOR	4
		-	-	1	1	TPX	INSULATOR	3
		1	1	1	1	PHOS BRONZE	③ CONTACT	2
		1	1	1	1	ZINC ALLOY	④ BODY	1
		5--3	5--2	5--1	5--0	MATERIAL DESCRIPTION		ITEM
		①	②	③	④			
QUANTITY PER ASSY						PARTS LIST		

THIS DRAWING IS A CONTROLLED DOCUMENT.

DIMENSIONS: mm	TOLERANCES UNLESS OTHERWISE SPECIFIED:	DWN RITA ZUO 11 Mar 09	 <b>TE Connectivity</b> BNC STRAIGHT PCB SOCKET					
	0 PLC ± 0.5 1 PLC ± 0.3 2 PLC ± 0.2 3 PLC ± - 4 PLC ± - ANGLES ± -	CHK ANSON MA 11 Mar 09						
MATERIAL	FINISH	APVD BOB ZHAO 11 Mar 09						
		NAME						
		PRODUCT SPEC 108-112000	RESTRICTED TO					
		APPLICATION SPEC	SIZE	CAGE CODE	DRAWING NO			
		WEIGHT	A3	00779	C-1634506			
CUSTOMER DRAWING			SCALE	SHEET	REV			
			NTS	1 OF 1	C			