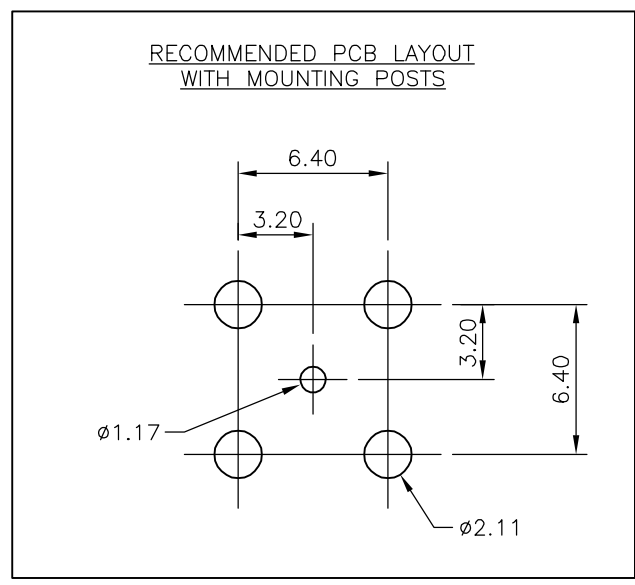
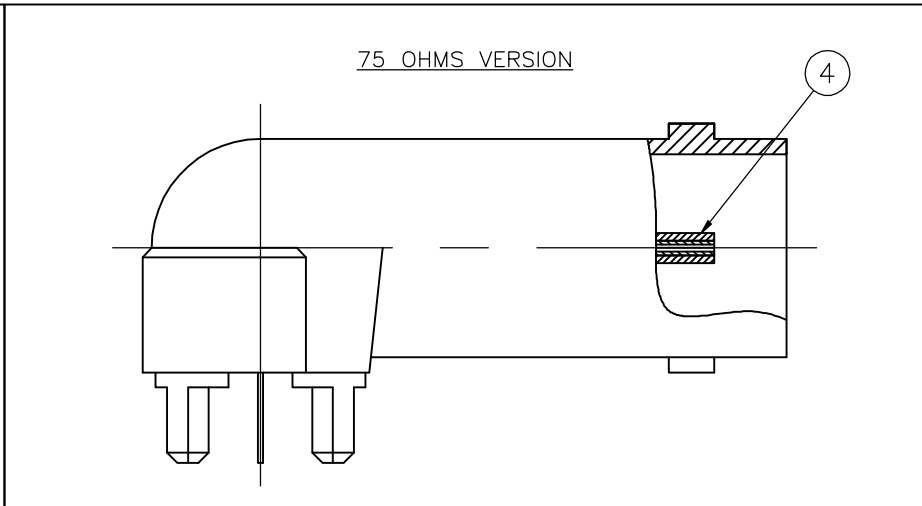
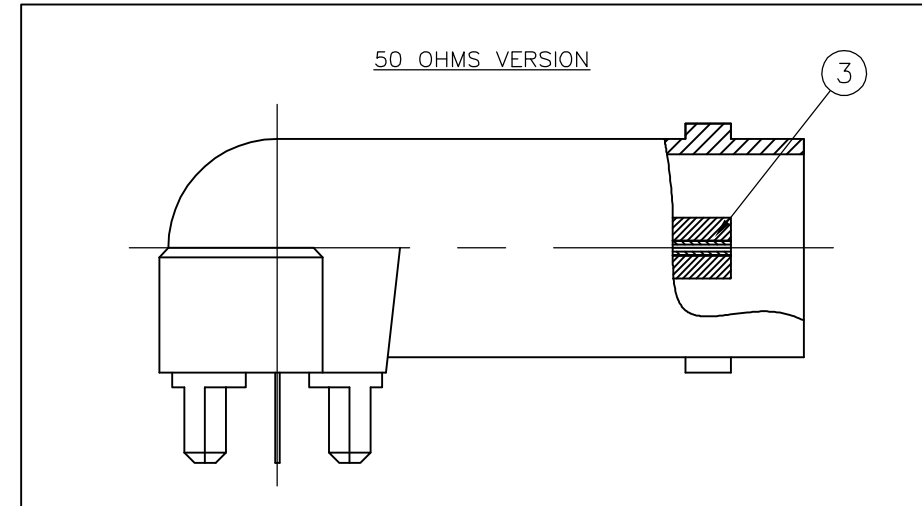
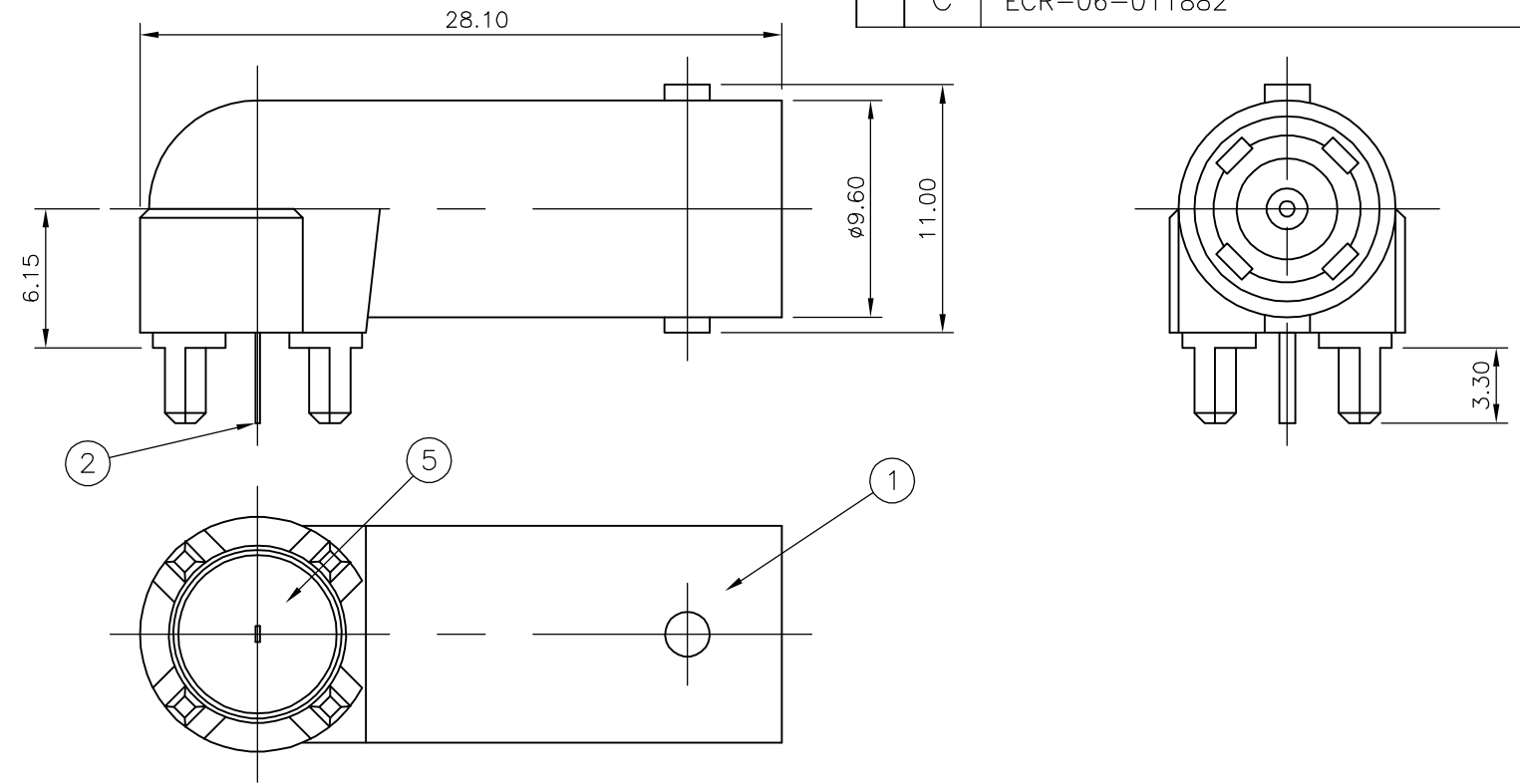


THIS DRAWING IS UNPUBLISHED. RELEASED FOR PUBLICATION FEB ,2004.

© COPYRIGHT 2004 BY TYCO ELECTRONICS CORPORATION. ALL RIGHTS RESERVED.

LOC	DIST	REVISIONS					
E	B	P	LTR	DESCRIPTION	DATE	DWN	APVD
			C	ECR-06-011882	17MAY06	JMS	FWK

- NOTES**
- 1 100 TRAY PACK IN ACCORDANCE WITH AMP SPEC 107-3275
 - 2 SINGLE PACK IN ACCORDANCE WITH AMP SPEC 107-3275
 - 3 Au PLATING
 - 4 Ni PLATING
- 5 **CHARACTERISTICS**
 FREQUENCY RANGE (50 OHMS): DC-4GHz
 FREQUENCY RANGE (75 OHMS): DC-2GHz
 INSULATION RESISTANCE: 5000 MOHMS
 WORKING VOLTAGE: 500V
 DIELECTRIC WITHSTAND VOLTAGE: 1500V RMS
 TEMPERATURE RATE: -55°C TO +85°C
 CONTACT RESISTANCE: 3 mOHMS
- 6 **MECHANICAL CHARACTERISTICS**
 DURABILITY: 50 CYCLES
- 7 FOR TECHNICAL DATA REFER TO YOUR LOCAL TYCO ELECTRONICS SALES OFFICE
- 8 ALL DIMENSIONS ARE NOMINAL FOR REFERENCE ONLY UNLESS OTHERWISE STATED



				1	1	1	1	PTFE	INSULATOR	5
				1	1	-	-	TPX	INSULATOR	4
				-	-	1	1	TPX	INSULATOR	3
				1	1	1	1	PHOS BRONZE	CONTACT	2
				1	1	1	1	ZINC ALLOY	BODY	1
				5--3	5--2	5--1	5--0	MATERIAL	DESCRIPTION	ITEM
				1	1	1	1			
QUANTITY PER ASSY										PARTS LIST

THIS DRAWING IS A CONTROLLED DOCUMENT.		DWN	J.SANDWELL	25FEB04	tyco Electronics	Tyco Electronics Corporation Bideford, UK, EX39 4HE													
DIMENSIONS: MM		CHK	S.PARLOW	25FEB04		NAME													
TOLERANCES UNLESS OTHERWISE SPECIFIED:		APVD	F.WHEELER-KING	25FEB04		BNC LOW PROFILE ELBOW SOCKET													
<table border="0"> <tr><td>0 PLC</td><td>± -</td></tr> <tr><td>1 PLC</td><td>± -</td></tr> <tr><td>2 PLC</td><td>± -</td></tr> <tr><td>3 PLC</td><td>± -</td></tr> <tr><td>4 PLC</td><td>± -</td></tr> <tr><td>ANGLES</td><td>± -</td></tr> </table>		0 PLC	± -	1 PLC		± -	2 PLC	± -	3 PLC	± -	4 PLC	± -	ANGLES	± -	PRODUCT SPEC		APPLICATION SPEC		RESTRICTED TO
0 PLC	± -																		
1 PLC	± -																		
2 PLC	± -																		
3 PLC	± -																		
4 PLC	± -																		
ANGLES	± -																		
MATERIAL	SEE TABLE	FINISH	SEE TABLE	WEIGHT	-	SIZE	A3	CAGE CODE	00779	DRAWING NO	C-1634513	SCALE	NTS	SHEET	1 OF 1	REV	C		
CUSTOMER DRAWING												SCALE	NTS	SHEET	1 OF 1	REV	C		