

## 5-1634516-1 Product Details

[Share](#) [Print](#) [Email](#)



**5-1634516-1**

TE Internal Number: 5-1634516-1  
 Active

### BNC RF Connectors

Always EU RoHS/ELV Compliant (Statement of Compliance)

#### Product Highlights:

- Connector - RF
- Jack
- Connector Style = Jack
- Applies To Coaxial Cable
- Coaxial Cable Termination Type = Crimp

[View all Features](#)

### Quick Links

- ▶ [Pricing & Availability](#)
- ▶ [Search for Tooling](#)
- ▶ [Product Feature Selector](#)
- ▶ [Contact Us About This Product](#)

[Add to My Part List](#) [Request Sample](#) [Find Similar Products](#) [Buy Product](#)

### Documentation & Additional Information

#### Product Drawings:

- [BNC BULKHEAD JACK REAR MOUNT CRIMP](#) (PDF, English)

#### Catalog Pages/Data Sheets:

- [ZDC\\_RF\\_COAX\\_CONNECTOR\\_SERIES\\_50&75\\_OHM](#) (PDF, English)

#### Product Specifications:

- None Available

#### Application Specifications:

- None Available

#### Instruction Sheets:

- None Available

#### CAD Files:

- None Available

#### Related Products:

- [Tooling](#)

[List all Documents](#)

### Product Features (Please use the Product Drawing for all design activity)

#### Product Type Features:

- [Product Type](#) = Connector - RF
- Gender = Jack
- [PCB Mounting Orientation](#) = Vertical
- [Grade](#) = Commercial
- [Sealed](#) = No
- [Isolated](#) = No
- [Dielectric Material](#) = Polyphthalamide
- Flats Dimension = 16.0 A/F

#### Mechanical Attachment:

- [Surface Mountable](#) = No
- [Hardware Included](#) = Yes
- [Panel Mount Retention](#) = With
- [Panel Mount Retention Type](#) = Hex Nut
- [Panel Cutout](#) = 12.0mm x 12.9mm D-Shape

#### Electrical Characteristics:

- [Connector Impedance \(Ω\)](#) = 50

#### Termination Features:

- [Coaxial Cable Termination Type](#) = Crimp
- [Crimp Type](#) = Hex

#### Dimensions:

- [Panel Thickness \(mm \[in\]\)](#) = 2.00 - 5.00 [0.078 - 0.197]

#### Body Features:

- [Body Style](#) = Straight
- [Body Shape](#) = Hexagonal
- [Body Material](#) = Zinc
- [Body Plating](#) = Nickel
- [Body Insulation](#) = With
- [Polarized](#) = No
- [Mount Direction](#) = Rear

#### Contact Features:

- [Center Contact Material](#) = Brass
- [Center Contact Plating](#) = Gold

#### Housing Features:

- [Connector Style](#) = Jack

#### Configuration Features:

- [Coaxial Cable Type \(RG/U or Mfg.\)](#) = 141A, 58C, Belden 9907, KX 15, URM 43, URM 76
- [Number of Ports](#) = 1

#### Industry Standards:

- [Government/Industry Qualification](#) = No
- [RoHS/ELV Compliance](#) = RoHS compliant, ELV compliant
- [Lead Free Solder Processes](#) = Not relevant for lead free process
- [RoHS/ELV Compliance History](#) = Always was RoHS compliant

#### Environmental:

- [Operating Temperature \(Max.\) \(°C\)](#) = 85

#### Conditions for Usage:

- [Applies To](#) = Coaxial Cable
- [For Use With](#) = ZDC/BNC Connector

#### Packaging Features:

- [Packaging Method](#) = Individual

#### Other:

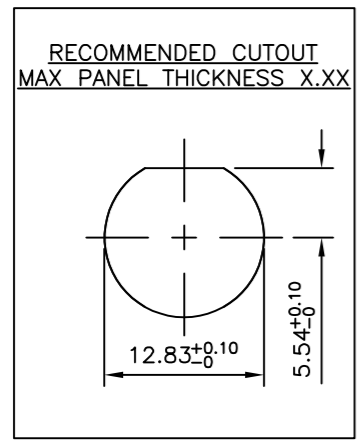
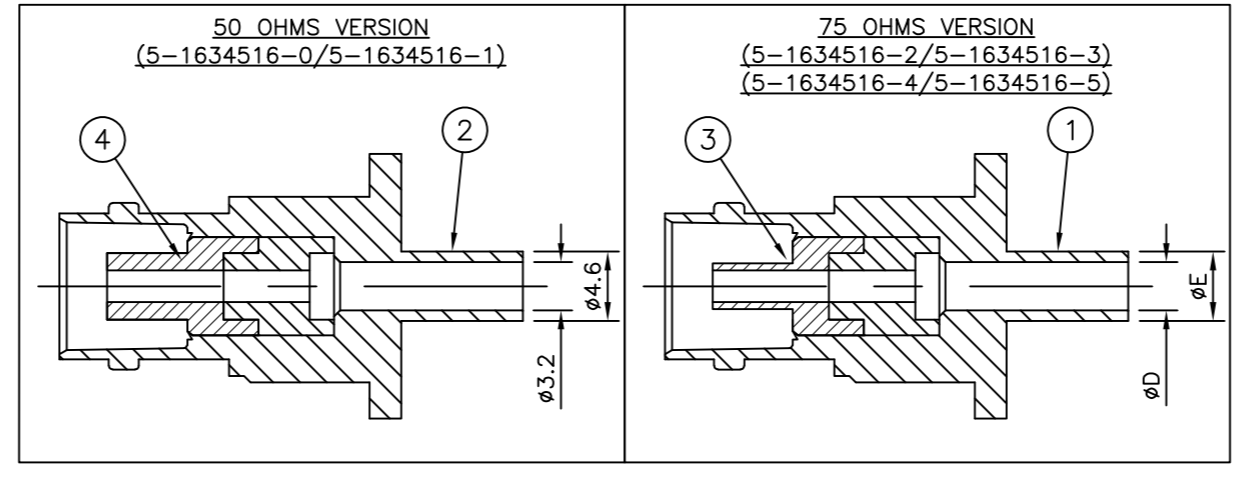
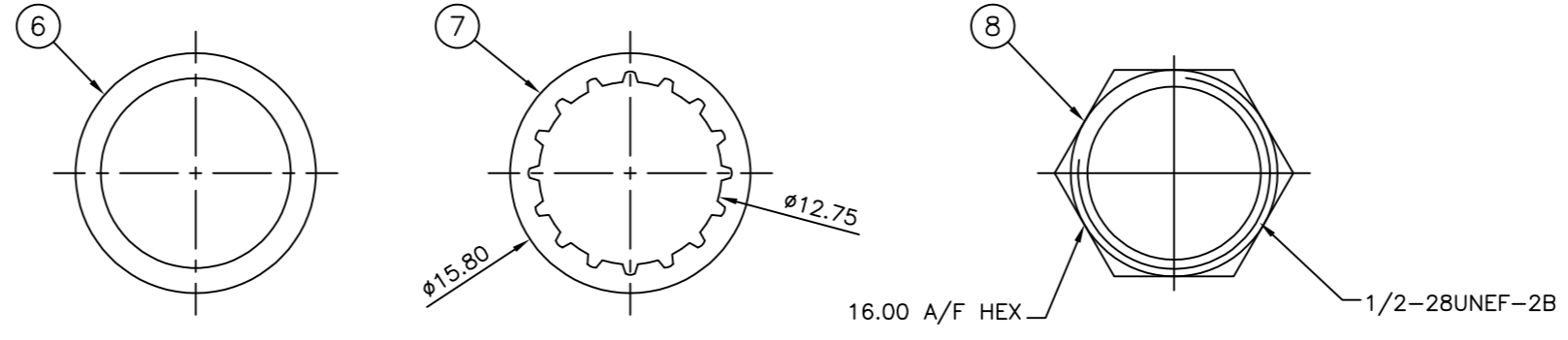
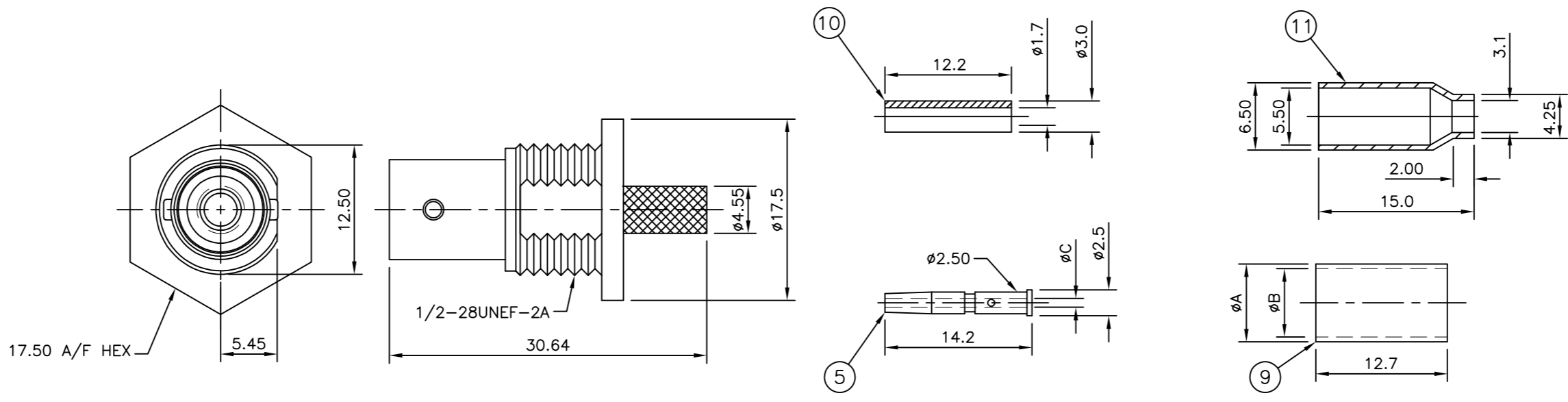
- [Brand](#) = Greenpar

THIS DRAWING IS UNPUBLISHED. RELEASED FOR PUBLICATION JULY, 2005.  
 © COPYRIGHT 2005 By - ALL RIGHTS RESERVED.

LOC	DIST	REVISIONS					
		P	LTR	DESCRIPTION	DATE	DWN	APVD
E	B		B1	REVISED PER ECO-11-005033	31MAR11	RK	HMR
			C	REVISED PER ECO-12-010787	11JUN12	TITAN	MARTIN

- NOTES**
- 1. 100 TRAY PACK IN ACCORDANCE WITH AMP SPEC 107-3275
  - 2. SINGLE PACK IN ACCORDANCE WITH AMP SPEC 107-3275
  - 3. Au PLATING OVER Ni PLATING OVER Cu PLATING
  - 4. Ni PLATING OVER Cu PLATING
  - 5. HAND TOOL: 9-1478240-0
  - 6. DIE SET: SEE TABLE
  - 7. FOR TECHNICAL DATA REFER TO YOUR LOCAL TE CONNECTIVITY SALES OFFICE
  - 8. ALL DIMENSIONS ARE NOMINAL FOR REFERENCE ONLY UNLESS OTHERWISE STATED

	6.50	5.45	3.80	0.85	6.60	7.52	9-1478242-0	RG59B/U, 62A/U, 140/U, 210/U, URM90, KX 6A, KX 25, KX 52, KX 53	5-1634516-5
	6.50	5.45	3.80	0.85	6.60	7.52	9-1478242-0	RG59B/U, 62A/U, 140/U, 210/U, URM90, KX 6A, KX 25, KX 52, KX 53	5-1634516-4
	5.60	4.60	3.20	0.40	-	-	9-1478242-0	RG179B/U, 187A/U, URM111	5-1634516-3
	5.60	4.60	3.20	0.40	-	-	9-1478242-0	RG179B/U, 187A/U, URM111	5-1634516-2
	5.60	-	-	1.10	5.40	6.40	9-1478242-0	RG58C/U, 141A/U, URM43, 76, BELDEN 9907, KX 15	5-1634516-1
	5.60	-	-	1.10	5.40	6.40	9-1478242-0	RG58C/U, 141A/U, URM43, 76, BELDEN 9907, KX 15	5-1634516-0
	F	E	D	C	B	A	DIE SET	CABLE GROUPS	PART NO.



QTY	UNIT	DESCRIPTION	MATERIAL	ITEM				
-	-	1	1	-	BRASS	FERRULE	11	
-	-	1	1	-	NYLON	PUSHER SLEEVE	10	
1	1	-	-	1	1	BRASS	FERRULE	9
1	1	1	1	1	1	BRASS	HEX NUT	8
1	1	1	1	1	1	PHOS BRONZE	LOCK WASHER	7
1	1	1	1	1	1	RUBBER	GASKET	6
1	1	1	1	1	1	BRASS	CONTACT	5
-	-	-	-	1	1	POLYMETHYLPENTENE	INSULATOR	4
1	1	1	1	-	-	POLYMETHYLPENTENE	INSULATOR	3
-	-	-	-	1	1	ZINC ALLOY	BODY	2
1	1	1	1	-	-	ZINC ALLOY	BODY	1
5--5	5--4	5--3	5--2	5--1	5--0	MATERIAL	DESCRIPTION	ITEM

THIS DRAWING IS A CONTROLLED DOCUMENT.

DWN: RITA ZUO 24 Feb 09  
 CHK: ANSON MA 24 Feb 09  
 APVD: BOB ZHAO 24 Feb 09

DIMENSIONS: MM  
 TOLERANCES UNLESS OTHERWISE SPECIFIED:  
 0 PLC ± 0.5  
 1 PLC ± 0.3  
 2 PLC ± 0.2  
 3 PLC ± -  
 4 PLC ± -  
 ANGLES ± -  
 FINISH ± -

MATERIAL: SEE TABLE

PRODUCT SPEC: 108-112000  
 APPLICATION SPEC: SEE SHEET 2

WEIGHT: -

CUSTOMER DRAWING

TE Connectivity  
 BNC BULKHEAD JACK REAR MOUNT CRIMP

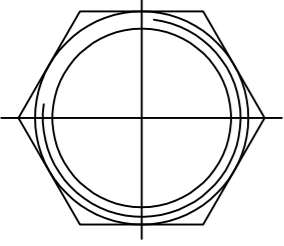
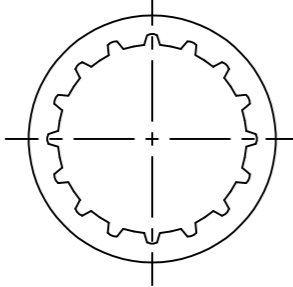
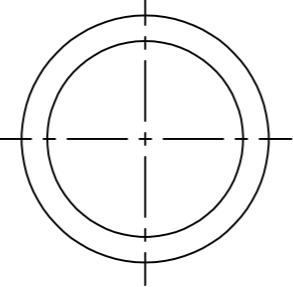
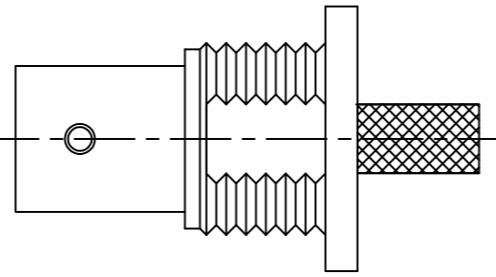

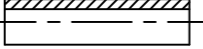
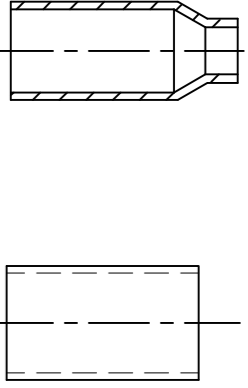
SIZE: A2  
 CAGE CODE: 00779  
 DRAWING NO: 1634516  
 RESTRICTED TO: -

SCALE: NTS  
 SHEET: 1 of 2  
 REV: C

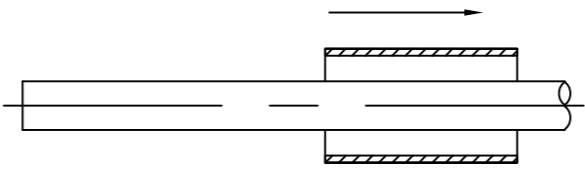
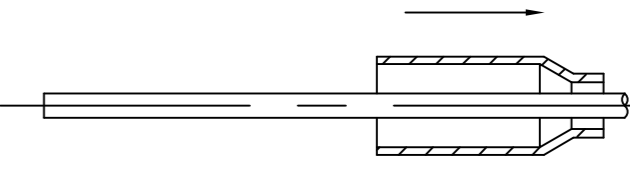
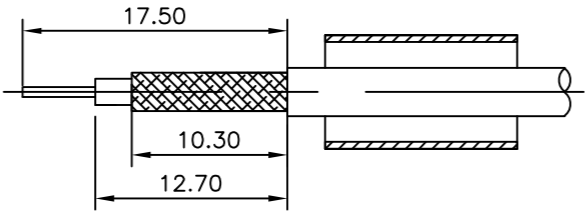
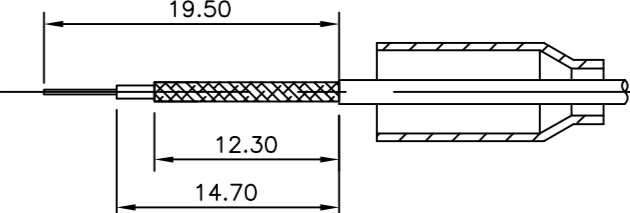
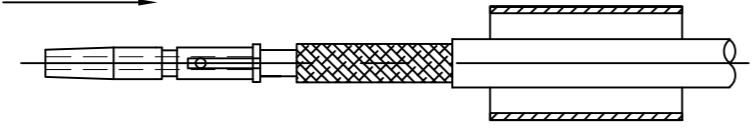
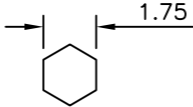
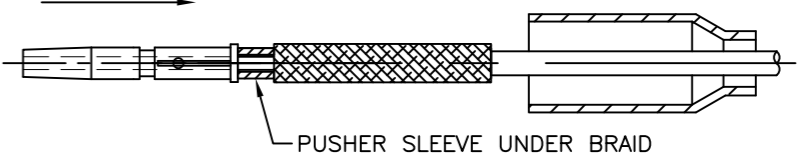
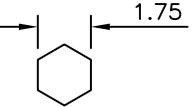
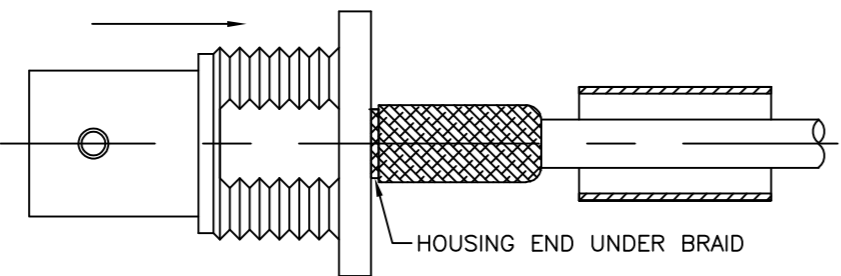
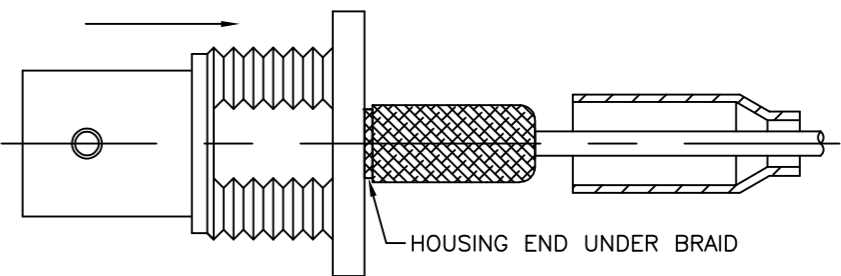
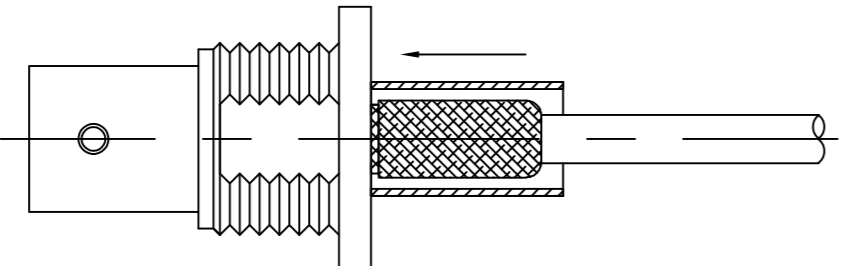
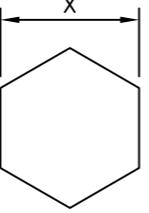
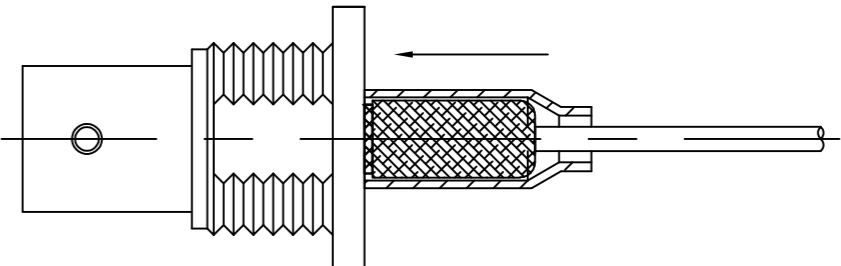
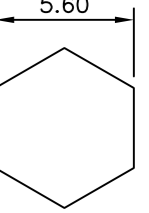
THIS DRAWING IS UNPUBLISHED. RELEASED FOR PUBLICATION JULY, 2005.  
 © COPYRIGHT 2005 By - ALL RIGHTS RESERVED.

LOC	DIST	REVISIONS					
E	B	P	LTR	DESCRIPTION	DATE	DWN	APVD
		-		SEE SHEET 1	-	-	-

COMPONENTS

HEX NUT (ITEM 8)	LOCK WASHER (ITEM 7)	GASKET (ITEM 6)	MAIN BODY (ITEM 1,2,3, & 4)	CENTRE CONTACT (ITEM 5)	PUSHER SLEEVE (ITEM 10)	CRIMP FERRULES (ITEM 9 & 11)
						

ASSEMBLY INSTRUCTION

CABLES: RG59B/U, 62A/U, 140/U, 210/U, URM90, KX 6A, KX 25, KX 52, KX 53, RG58C/U, 141A/U, URM43, 76, BELDEN 9907, KX 15	CABLES: RG179B/U, 187A/U, URM111
<p><b>STEP 1</b></p> <p>1. SLIDE METAL CRIMP FERRULE OVER CABLE</p> 	<p><b>STEP 1</b></p> <p>1. SLIDE METAL CRIMP FERRULE OVER CABLE</p> 
<p><b>STEP 2</b></p> <p>1. STRIP CABLE TO DIMENSIONS AS SHOWN</p> 	<p><b>STEP 2</b></p> <p>1. STRIP CABLE TO DIMENSIONS AS SHOWN</p> 
<p><b>STEP 3</b></p> <p>1. FIT CONTACT OVER CENTRE CONDUCTOR TO BUTT AGAINST DIELECTRIC.            2. CRIMP USING TOOL AS NOTES ON PAGE 1.</p>  <p>RECOMMENDED CENTRE CONTACT A/F HEX</p> 	<p><b>STEP 3</b></p> <p>1. SLIDE ITEM 10 PUSHER SLEEVE OVER DIELECTRIC BEFORE FITTING THE CONTACT.            2. FIT CONTACT OVER CENTRE CONDUCTOR TO BUTT AGAINST DIELECTRIC.            3. CRIMP USING TOOL AS NOTES ON PAGE 1.</p>  <p>PUSHER SLEEVE UNDER BRAID</p> <p>RECOMMENDED CENTRE CONTACT A/F HEX</p> 
<p><b>STEP 4</b></p> <p>1. PRESS SUB-ASSEMBLY INTO BODY, UNTIL CONTACT IS FULLY LOCATED BY AN AUDIBLE CLICK.            2. ENSURE THAT KNURLED HOUSING INSERTS BETWEEN THE DIELECTRIC AND CABLE BRAID.</p>  <p>HOUSING END UNDER BRAID</p>	<p><b>STEP 4</b></p> <p>1. PRESS SUB-ASSEMBLY INTO BODY, UNTIL CONTACT IS FULLY LOCATED BY AN AUDIBLE CLICK.            2. ENSURE THAT KNURLED HOUSING INSERTS BETWEEN THE PUSHER SLEEVE AND CABLE BRAID.</p>  <p>HOUSING END UNDER BRAID</p>
<p><b>STEP 5</b></p> <p>1. SLIDE CRIMP FERRULE ALONG THE CABLE UNTIL IT BUTTS AGAINST THE HOUSING BODY.            2. CRIMP USING TOOL AS NOTED ON PAGE 1.            3. CRIMP DIMENSION X IS:-            RG59B (SEE PAGE 1 FOR FULL CABLE LIST) = 6.50            RG58C/U (SEE PAGE 1 FOR FULL CABLE LIST) = 5.60</p>  <p>RECOMMENDED CRIMP SLEEVE A/F HEX</p> 	<p><b>STEP 5</b></p> <p>1. SLIDE CRIMP FERRULE ALONG THE CABLE UNTIL IT BUTTS AGAINST THE BODY HOUSING.            2. CRIMP USING TOOL AS NOTED ON PAGE 1.            3. CRIMP DIMENSION AS SHOWN.</p>  <p>RECOMMENDED CRIMP SLEEVE A/F HEX</p> 

THIS DRAWING IS A CONTROLLED DOCUMENT.

DWN	RITA ZUO	24 Feb 09
CHK	ANSON MA	24 Feb 09
APVD	BOB ZHAO	24 Feb 09
PRODUCT SPEC	108-112000	
APPLICATION SPEC	SHEET 2	
WEIGHT	-	
CUSTOMER DRAWING		

TE Connectivity

BNC BULKHEAD JACK REAR MOUNT CRIMP

SIZE: A2 CAGE CODE: 00779 DRAWING NO: C=1634516 RESTRICTED TO: -

SCALE: NTS SHEET: 2 of 2 REV: B1