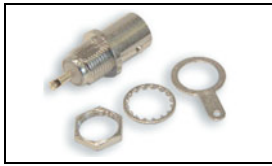


5-1634523-1 Product Details

[Share](#) [Print](#) [Email](#)



5-1634523-1

TE Internal Number: 5-1634523-1

 Active

[View 3D PDF](#)

BNC RF Connectors

 Always EU RoHS/ELV Compliant (Statement of Compliance)

Product Highlights:

- Connector - RF
- Jack
- Connector Style = Jack
- Applies To Wire/Cable
- Body Style = Bulkhead, Straight

[View all Features](#)

Quick Links

- ▶ [Pricing & Availability](#)
- ▶ [Search for Tooling](#)
- ▶ [Product Feature Selector](#)
- ▶ [Contact Us About This Product](#)

[Add to My Part List](#)

[Request Sample](#)

[Find Similar Products](#)

[Buy Product](#)

Documentation & Additional Information

Product Drawings:

- [BNC BULKHEAD SOCKET FRONT MOUNT WITH SOLDER TAG](#) (PDF, English)

Catalog Pages/Data Sheets:

- [ZDC_RF_COAX_CONNECTOR_SERIES_50&75_OHM](#) (PDF, English)

Product Specifications:

- None Available

Application Specifications:

- None Available

Instruction Sheets:

- None Available

CAD Files: [\(CAD Format & Compression Information\)](#)

- [2D Drawing](#) (DXF, Version B)
- [3D Model](#) (IGES, Version B)
- [3D Model](#) (STEP, Version B)

[List all Documents](#)

Related Products:

- [Tooling](#)

Product Features (Please use the Product Drawing for all design activity)

Product Type Features:

- [Product Type](#) = Connector - RF
- Gender = Jack
- Grade = Commercial
- Sealed = No
- Isolated = No
- Dielectric Material = Polymethylpentene
- Flats Dimension = 11.0 A/F

Mechanical Attachment:

- Surface Mountable = No
- Hardware Included = Yes
- Panel Mount Retention = With
- Panel Mount Retention Type = Hex Nut
- Panel Cutout = 8.2mm x 9.5mm Double D-Shape

Electrical Characteristics:

- [Connector Impedance \(Ω\)](#) = 50

Dimensions:

- Panel Thickness (mm [in]) = 1.50 - 3.00 [0.059 - 0.118]

Body Features:

- Body Style = Bulkhead, Straight
- Body Shape = Circular
- Body Material = Zinc
- Body Plating = Nickel
- Polarized = No
- Mount Direction = Front

Contact Features:

- [Center Contact Material](#) = Phosphor Bronze
- [Center Contact Plating](#) = Gold

Housing Features:

- Connector Style = Jack

Configuration Features:

- Number of Ports = 1

Industry Standards:

- Government/Industry Qualification = No
- [RoHS/ELV Compliance](#) = RoHS compliant, ELV compliant
- [Lead Free Solder Processes](#) = Hand solderable with lead free solder
- RoHS/ELV Compliance History = Always was RoHS compliant

Conditions for Usage:

- [Applies To](#) = Wire/Cable
- For Use With = ZDC/BNC Connector

Packaging Features:

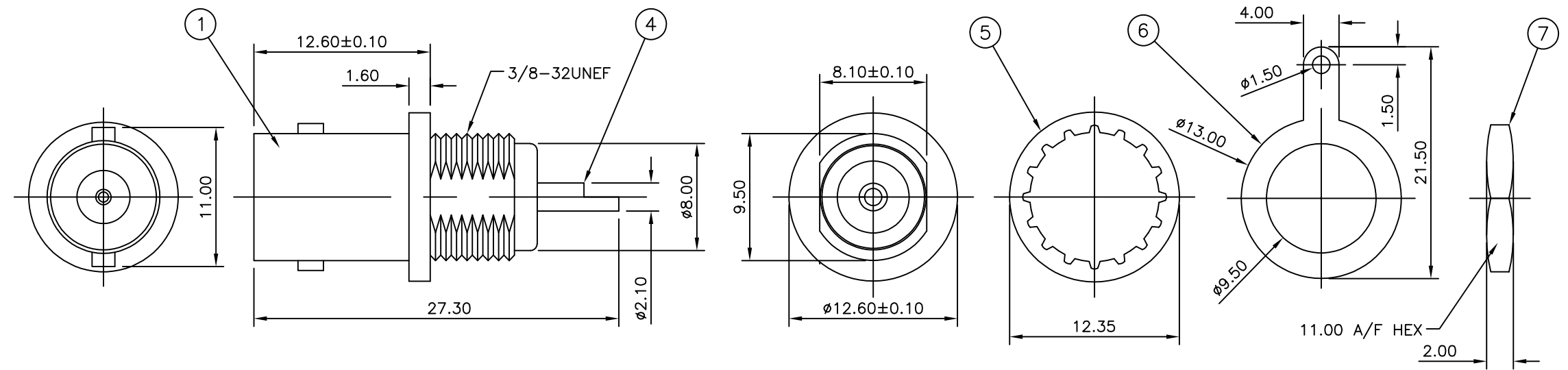
- Packaging Method = Individual

Other:

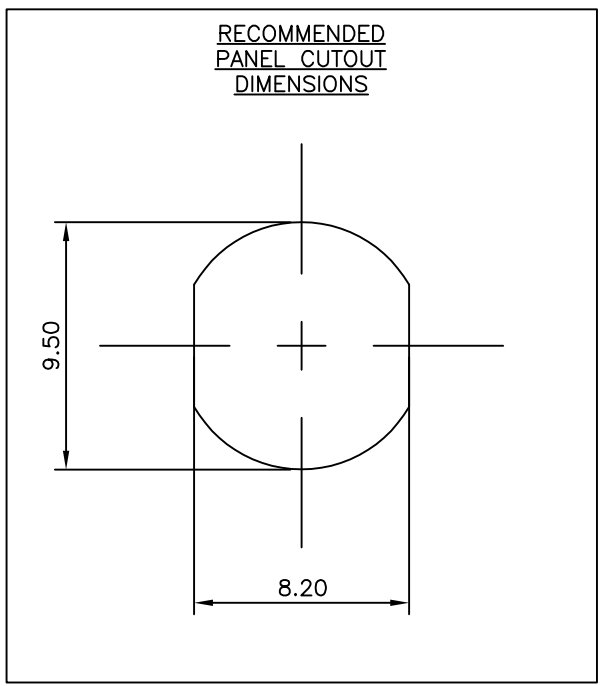
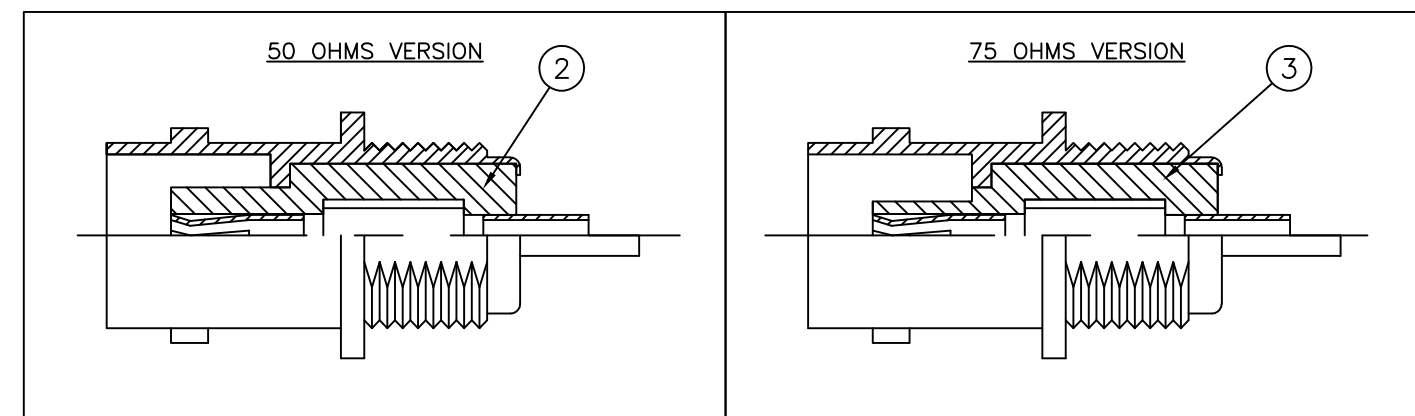
- Brand = TE Connectivity
- Comment = With Solder Tag

THIS DRAWING IS UNPUBLISHED. RELEASED FOR PUBLICATION JAN , 2005.
 © COPYRIGHT 2005 By - ALL RIGHTS RESERVED.

LOC	DIST	REVISIONS			
P	LTR	DESCRIPTION	DATE	DWN	APVD
E	B	B1	REVISED PER ECO-11-005033	01APR11	RK HMR
		C	ECO-12-014680	20Aug2012	TITAN MARTIN



- NOTES**
- 1 100 TRAY PACK IN ACCORDANCE WITH AMP SPEC 107-3275
 - 2 SINGLE PACK IN ACCORDANCE WITH AMP SPEC 107-3275
 - 3 Au PLATING OVER Ni PLATING OVER Cu PLATING
 - 4 Ni PLATING OVER Cu PLATING
 - 5. FOR TECHNICAL DATA REFER TO YOUR LOCAL TE CONNECTIVITY SALES OFFICE
 - 6. ALL DIMENSIONS ARE NOMINAL FOR REFERENCE ONLY UNLESS OTHERWISE STATED



				Obsolete	Obsolete	Obsolete					
				1	1	1	1	BRASS	△	HEX NUT	7
				1	1	1	1	BRASS	△	SOLDER TAG	6
				1	1	1	1	STEEL	△	LOCK WASHER	5
				1	1	1	1	PHOS BRONZE	△	CONTACT	4
				1	1	-	-	POLYMETHYLPENTENE		INSULATOR	3
				-	-	1	1	POLYMETHYLPENTENE		INSULATOR	2
				1	1	-	-	ZINC ALLOY	△	BODY	1
				5--3	5--2	5--1	5--0	MATERIAL		DESCRIPTION	ITEM
				△	△	△	△	QUANTITY PER ASSY			
				PARTS LIST							

THIS DRAWING IS A CONTROLLED DOCUMENT.		DWN	RITA ZUO	14 Feb 09	TE Connectivity BNC BULKHEAD SOCKET FRONT MOUNT WITH SOLDER TAG			RESTRICTED TO			
DIMENSIONS: mm		CHK	ANSON MA	14 Feb 09				NAME		-	
TOLERANCES UNLESS OTHERWISE SPECIFIED:		APVD	BOB ZHAO	14 Feb 09				PRODUCT SPEC		-	
0 PLC ± 0.5 1 PLC ± 0.3 2 PLC ± 0.2 3 PLC ± - 4 PLC ± - ANGLES ± -		APPLICATION SPEC		108-112000				-			
MATERIAL SEE TABLE		FINISH -		WEIGHT -		SIZE	CAGE CODE	DRAWING NO	RESTRICTED TO		
						A3	00779	C-1634523	-		
				CUSTOMER DRAWING		SCALE	NTS	SHEET	1 OF 1		
								REV	C		