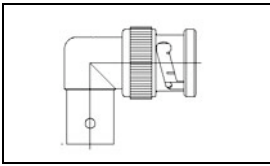



## 5-1634526-1 Product Details

[Share](#) [Print](#) [Email](#)



**5-1634526-1**

TE Internal Number: 5-1634526-1  
 Active

### BNC RF Connectors

 Always EU RoHS/ELV Compliant (Statement of Compliance)

#### Product Highlights:

- Adapter
- Body Style = Elbow
- Not Surface Mountable
- Commercial Grade
- Connector Impedance = 50  $\Omega$

[View all Features](#)

### Quick Links

- [▶ Pricing & Availability](#)
- [▶ Search for Tooling](#)
- [▶ Product Feature Selector](#)
- [▶ Contact Us About This Product](#)

[Add to My Part List](#) [Request Sample](#) [Find Similar Products](#) [Buy Product](#)

Documentation & Additional Information	
<p><b>Product Drawings:</b></p> <ul style="list-style-type: none"> <li>• <a href="#">BNC ELBOW ADAPTOR PLUG - JACK 50 OHMS (PDF, English)</a></li> </ul> <p><b>Catalog Pages/Data Sheets:</b></p> <ul style="list-style-type: none"> <li>• None Available</li> </ul> <p><b>Product Specifications:</b></p> <ul style="list-style-type: none"> <li>• None Available</li> </ul> <p><b>Application Specifications:</b></p> <ul style="list-style-type: none"> <li>• None Available</li> </ul> <p><b>Instruction Sheets:</b></p> <ul style="list-style-type: none"> <li>• None Available</li> </ul> <p><b>CAD Files:</b></p> <ul style="list-style-type: none"> <li>• None Available</li> </ul>	<p><b>Related Products:</b></p> <ul style="list-style-type: none"> <li>• <a href="#">Tooling</a></li> </ul>

[List all Documents](#)

Product Features (Please use the Product Drawing for all design activity)	
<p><b>Product Type Features:</b></p> <ul style="list-style-type: none"> <li>• <a href="#">Product Type</a> = Adapter</li> <li>• <a href="#">Grade</a> = Commercial</li> <li>• <a href="#">Adapter Type</a> = Plug-Jack</li> <li>• <a href="#">Sealed</a> = No</li> <li>• <a href="#">Isolated</a> = No</li> <li>• <a href="#">Dielectric Material</a> = PE 606</li> </ul> <p><b>Mechanical Attachment:</b></p> <ul style="list-style-type: none"> <li>• <a href="#">Surface Mountable</a> = No</li> <li>• <a href="#">Panel Mount Retention</a> = Without</li> </ul> <p><b>Electrical Characteristics:</b></p> <ul style="list-style-type: none"> <li>• <a href="#">Connector Impedance (<math>\Omega</math>)</a> = 50</li> </ul> <p><b>Body Features:</b></p> <ul style="list-style-type: none"> <li>• <a href="#">Body Style</a> = Elbow</li> <li>• <a href="#">Body Material</a> = Zinc Alloy</li> <li>• <a href="#">Body Plating</a> = Nickel</li> <li>• <a href="#">Polarized</a> = No</li> </ul>	<p><b>Contact Features:</b></p> <ul style="list-style-type: none"> <li>• <a href="#">Center Contact Material</a> = Brass, Phosphor Bronze</li> <li>• <a href="#">Center Contact Plating</a> = Gold</li> </ul> <p><b>Industry Standards:</b></p> <ul style="list-style-type: none"> <li>• <a href="#">Government/Industry Qualification</a> = No</li> <li>• <a href="#">RoHS/ELV Compliance</a> = RoHS compliant, ELV compliant</li> <li>• <a href="#">Lead Free Solder Processes</a> = Not relevant for lead free process</li> <li>• <a href="#">RoHS/ELV Compliance History</a> = Always was RoHS compliant</li> </ul> <p><b>Packaging Features:</b></p> <ul style="list-style-type: none"> <li>• <a href="#">Packaging Method</a> = Individual</li> </ul> <p><b>Other:</b></p> <ul style="list-style-type: none"> <li>• <a href="#">Brand</a> = TE Connectivity</li> </ul>

### Corporate Information

[About TE](#)  
[Investors](#)  
[News Room](#)  
[Supplier Portal](#)  
[Careers](#)  
[Terms & Conditions](#)  
[Privacy Policy](#)

### Quick Links

[Distributor Inventory](#)  
[Product Cross Reference](#)  
[Documents & Drawings](#)  
[Product Compliance Support Center](#)  
[Site Map](#)

### Customer Support

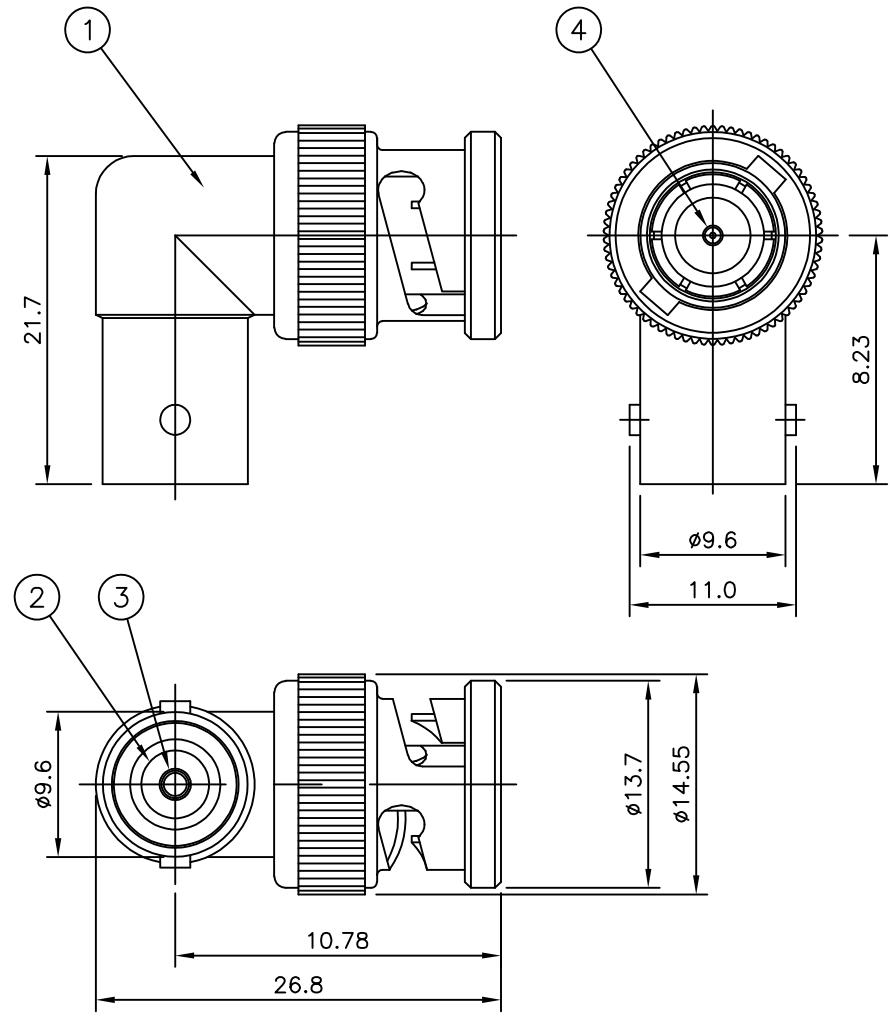
[Email or Chat With Us](#)  
[Find a Phone Number](#)  
[Knowledge Base](#)  
[Manage Your Account](#)

**Keep Me Informed**

THIS DRAWING IS UNPUBLISHED. RELEASED FOR PUBLICATION MAR , 2006.  
 © COPYRIGHT 2006 By - ALL RIGHTS RESERVED.

LOC	DIST	REVISIONS			
P	LTR	DESCRIPTION	DATE	DWN	APVD
E	B	B1	REVISED PER ECO-11-005033	01APR11	RK HMR
		C	REVISED PER ECO-12-010042	29MAY2012	TITAN MARTIN

- NOTES**
- 1 100 TRAY PACK IN ACCORDANCE WITH AMP SPEC 107-3275
  - 2 SINGLE PACK IN ACCORDANCE WITH AMP SPEC 107-3275
  - 3 Au PLATING
  - 4 Ni PLATING
  - 5. FOR TECHNICAL DATA REFER TO YOUR LOCAL TE CONNECTIVITY SALES OFFICE
  - 6. ALL DIMENSIONS ARE NOMINAL FOR REFERENCE ONLY UNLESS OTHERWISE STATED



QUANTITY PER ASSY		PARTS LIST		
1	1	BRASS	MALE CONTACT	4
1	1	PHOS BRONZE	FEMALE CONTACT	3
1	1	PE-606	INSULATOR	2
1	1	ZINC ALLOY	BODY	1
5--1	5--0	MATERIAL	DESCRIPTION	ITEM

THIS DRAWING IS A CONTROLLED DOCUMENT.		DWN RITA ZUO 10 Mar 09	TE Connectivity <b>BNC ELBOW ADAPTOR PLUG - JACK</b> 50 OHMS											
DIMENSIONS: mm		CHK ANSON MA 10 Mar 09												
TOLERANCES UNLESS OTHERWISE SPECIFIED:		APVD BOB ZHAO 10 Mar 09												
<table border="1"> <tr><td>0 PLC</td><td>± 0.5</td></tr> <tr><td>1 PLC</td><td>± 0.3</td></tr> <tr><td>2 PLC</td><td>± 0.2</td></tr> <tr><td>3 PLC</td><td>± -</td></tr> <tr><td>4 PLC</td><td>± -</td></tr> <tr><td>ANGLES</td><td>± -</td></tr> </table>		0 PLC			± 0.5	1 PLC	± 0.3	2 PLC	± 0.2	3 PLC	± -	4 PLC	± -	ANGLES
0 PLC	± 0.5													
1 PLC	± 0.3													
2 PLC	± 0.2													
3 PLC	± -													
4 PLC	± -													
ANGLES	± -													
MATERIAL SEE TABLE		FINISH -	PRODUCT SPEC 108-112000	RESTRICTED TO -										
		WEIGHT -	APPLICATION SPEC -	SIZE A3 CAGE CODE 00779 DRAWING NO C-1634526										
CUSTOMER DRAWING			SCALE NTS	SHEET 1 OF 1 REV C										