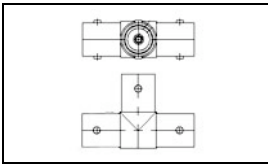


5-1634535-1 Product Details

[Share](#) [Print](#) [Email](#)



5-1634535-1

TE Internal Number: 5-1634535-1
 Active

BNC RF Connectors

Always EU RoHS/ELV Compliant (Statement of Compliance)

Product Highlights:

- Adapter
- Body Style = Tee
- Not Surface Mountable
- Commercial Grade
- Connector Impedance = 50 Ω

[View all Features](#)

Quick Links

- ▶ [Pricing & Availability](#)
- ▶ [Search for Tooling](#)
- ▶ [Product Feature Selector](#)
- ▶ [Contact Us About This Product](#)

[Add to My Part List](#) [Request Sample](#) [Find Similar Products](#) [Buy Product](#)

Documentation & Additional Information	
<p>Product Drawings:</p> <ul style="list-style-type: none"> • BNC T - ADAPTOR JACK - JACK - JACK (PDF, English) <p>Catalog Pages/Data Sheets:</p> <ul style="list-style-type: none"> • None Available <p>Product Specifications:</p> <ul style="list-style-type: none"> • None Available <p>Application Specifications:</p> <ul style="list-style-type: none"> • None Available <p>Instruction Sheets:</p> <ul style="list-style-type: none"> • None Available <p>CAD Files:</p> <ul style="list-style-type: none"> • None Available 	<p>Related Products:</p> <ul style="list-style-type: none"> • Tooling

[List all Documents](#)

Product Features (Please use the Product Drawing for all design activity)	
<p>Product Type Features:</p> <ul style="list-style-type: none"> • Product Type = Adapter • Grade = Commercial • Adapter Type = Jack-Jack-Jack • Sealed = No • Isolated = No • Dielectric Material = Polymethylpentene <p>Mechanical Attachment:</p> <ul style="list-style-type: none"> • Surface Mountable = No • Panel Mount Retention = Without <p>Electrical Characteristics:</p> <ul style="list-style-type: none"> • Connector Impedance (Ω) = 50 <p>Body Features:</p> <ul style="list-style-type: none"> • Body Style = Tee • Body Material = Zinc Alloy • Body Plating = Nickel • Polarized = No 	<p>Contact Features:</p> <ul style="list-style-type: none"> • Center Contact Material = Phosphor Bronze • Center Contact Plating = Gold <p>Industry Standards:</p> <ul style="list-style-type: none"> • Government/Industry Qualification = No • RoHS/ELV Compliance = RoHS compliant, ELV compliant • Lead Free Solder Processes = Not relevant for lead free process • RoHS/ELV Compliance History = Always was RoHS compliant <p>Packaging Features:</p> <ul style="list-style-type: none"> • Packaging Method = Individual <p>Other:</p> <ul style="list-style-type: none"> • Brand = TE Connectivity

Corporate Information

- [About TE](#)
- [Investors](#)
- [News Room](#)
- [Supplier Portal](#)
- [Careers](#)
- [Terms & Conditions](#)
- [Privacy Policy](#)

Quick Links

- [Distributor Inventory](#)
- [Product Cross Reference](#)
- [Documents & Drawings](#)
- [Product Compliance Support Center](#)
- [Site Map](#)

Customer Support

- [Email or Chat With Us](#)
- [Find a Phone Number](#)
- [Knowledge Base](#)
- [Manage Your Account](#)

Keep Me Informed

THIS DRAWING IS UNPUBLISHED.

RELEASED FOR PUBLICATION MAR , 2006.

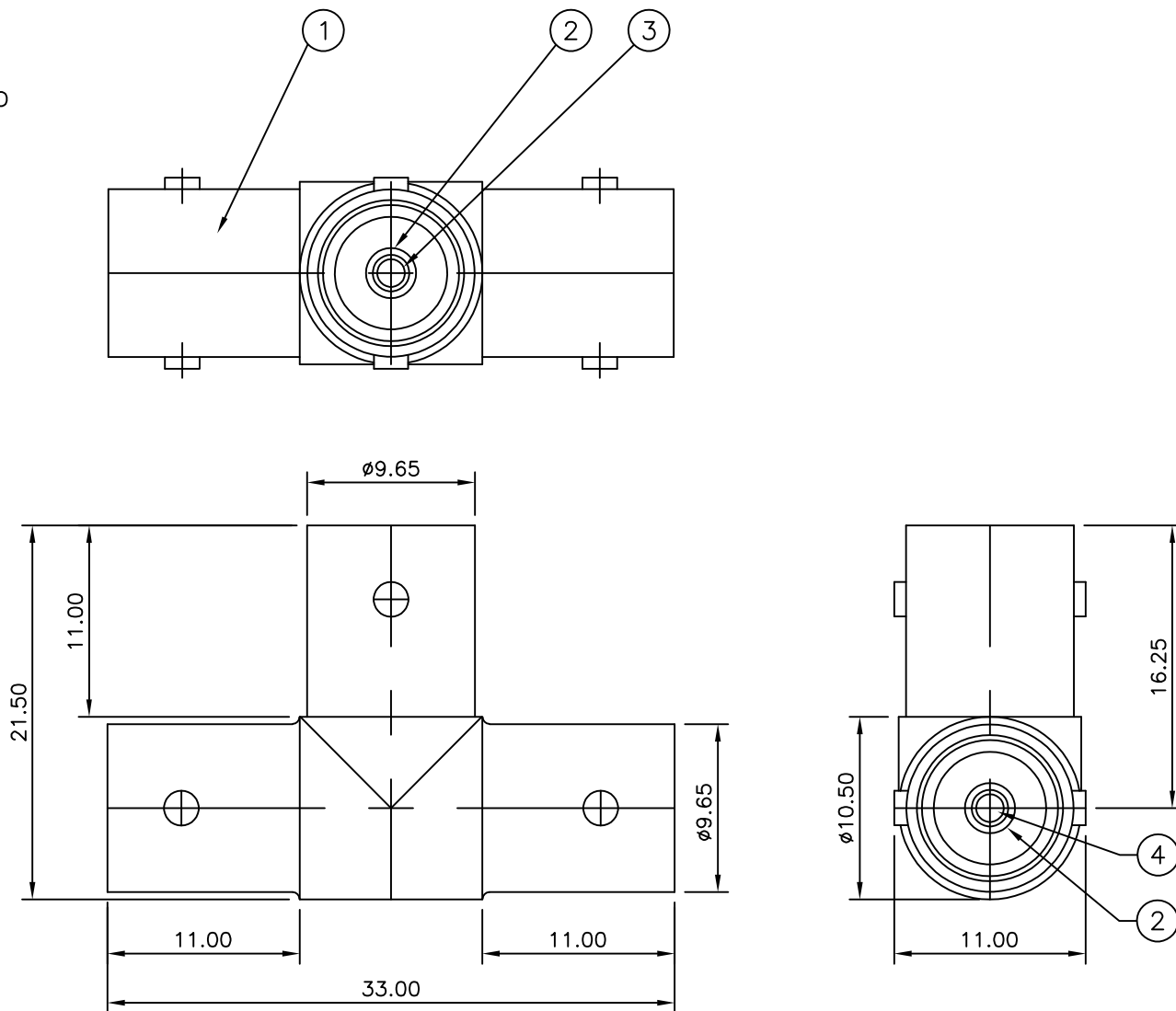
© COPYRIGHT 2006 By -

ALL RIGHTS RESERVED.

LOC	DIST	REVISIONS			
P	LTR	DESCRIPTION	DATE	DWN	APVD
	B	ECO-09-003420	19MAR09	RITA	BOB
	C	ECO-12-010787	11JUN12	TITAN	MARTIN

NOTES

- 1 100 TRAY PACK IN ACCORDANCE WITH AMP SPEC 107-3275
- 2 SINGLE PACK IN ACCORDANCE WITH AMP SPEC 107-3275
- 3 Au PLATING
- 4 Ni PLATING
- 5. FOR TECHNICAL DATA REFER TO YOUR LOCAL TYCO ELECTRONICS SALES OFFICE
- 6. ALL DIMENSIONS ARE NOMINAL FOR REFERENCE ONLY UNLESS OTHERWISE STATED



QTY	PLC	DESCRIPTION	MATERIAL	ITEM
1	1	PHOS BRONZE	CONTACT 2	4
1	1	PHOS BRONZE	CONTACT 1	3
3	3	POLYMETHYLPENTENE	INSULATOR	2
1	1	ZINC ALLOY	BODY	1
5--1	5--0		MATERIAL	DESCRIPTION
				ITEM

Obsolete

QUANTITY PER ASSY

PARTS LIST

THIS DRAWING IS A CONTROLLED DOCUMENT.		DWN RITA ZUO 19MAR09	TE Connectivity BNC T - ADAPTOR JACK - JACK - JACK			
DIMENSIONS: mm		CHK ANSON MA 19MAR09				NAME
TOLERANCES UNLESS OTHERWISE SPECIFIED:		APVD BOB ZHAO 19MAR09				PRODUCT SPEC
0 PLC ± - 1 PLC ± - 2 PLC ± - 3 PLC ± - 4 PLC ± - ANGLES ± -		APPLICATION SPEC				108-112000
MATERIAL SEE TABLE	FINISH -	WEIGHT -	SIZE A3	CAGE CODE 00779	DRAWING NO C-1634535	RESTRICTED TO -
CUSTOMER DRAWING			SCALE NTS	SHEET 1 OF 1	REV C	