

THIS DRAWING IS UNPUBLISHED. RELEASED FOR PUBLICATION MAR ,2006.

© COPYRIGHT 2006 BY TYCO ELECTRONICS CORPORATION. ALL RIGHTS RESERVED.

LOC	DIST	REVISIONS		
E	B	P	LTR	DESCRIPTION
		A		FIRST ISSUE
				DATE
				20MAR06
				DWN
				JMS
				APVD
				FWK

NOTES

1 100 TRAY PACK IN ACCORDANCE WITH AMP SPEC 107-3275

2 SINGLE PACK IN ACCORDANCE WITH AMP SPEC 107-3275

3 Au PLATING

4 Ni PLATING

5. CHARACTERISTICS

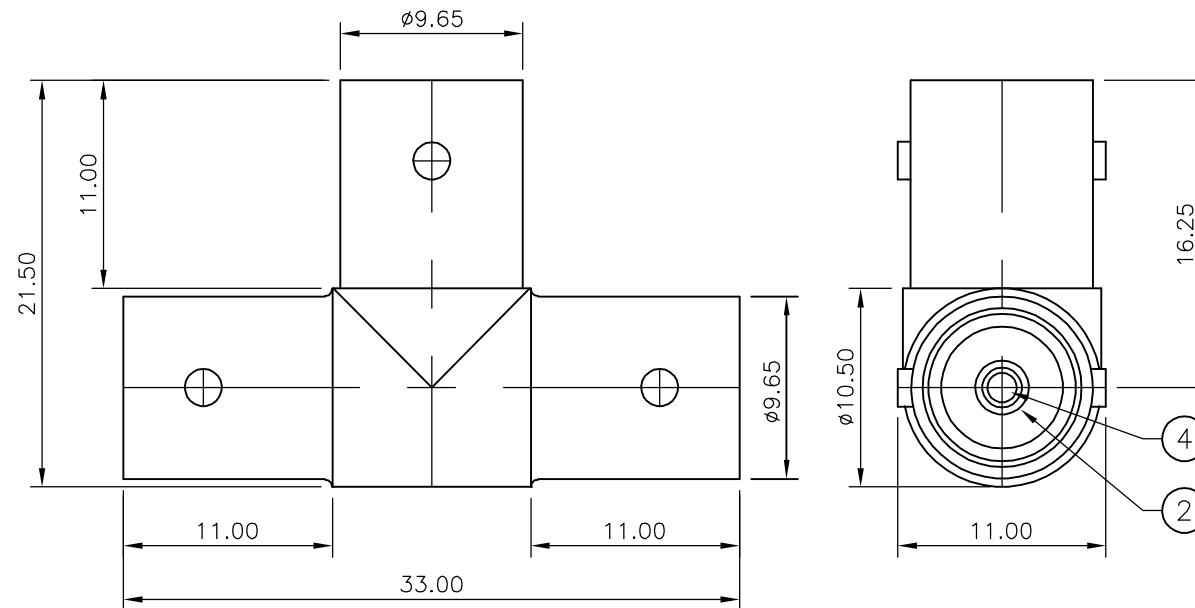
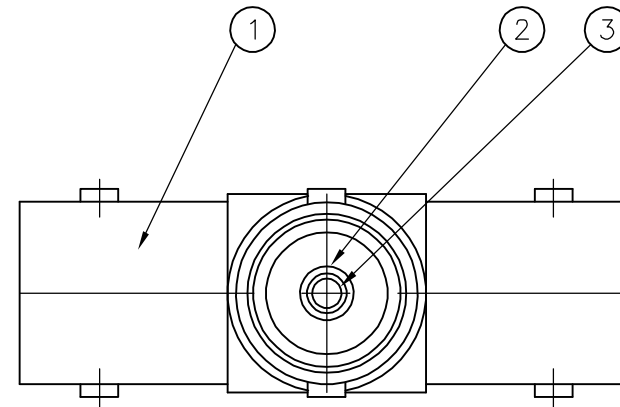
FREQUENCY RANGE (50 OHMS):	DC-4GHz
INSULATION RESISTANCE:	5000 MOHMS
WORKING VOLTAGE:	500V
DIELECTRIC WITHSTAND VOLTAGE:	1500V RMS
TEMPERATURE RATE:	-55°C TO +85°C
CONTACT RESISTANCE:	3 mOHMS

6. MECHANICAL CHARACTERISTICS

DURABILITY: 50 CYCLES

7. FOR TECHNICAL DATA REFER TO YOUR LOCAL TYCO ELECTRONICS SALES OFFICE

8. ALL DIMENSIONS ARE NOMINAL FOR REFERENCE ONLY UNLESS OTHERWISE STATED



						1	1	PHOS BRONZE	3	CONTACT 2	4
						1	1	PHOS BRONZE	3	CONTACT 1	3
						3	3	POLYMETHYLPENTENE		INSULATOR	2
						1	1	ZINC ALLOY	4	BODY	1
						5--1	5--0	MATERIAL		DESCRIPTION	ITEM
QUANTITY PER ASSY											PARTS LIST

THIS DRAWING IS A CONTROLLED DOCUMENT.		DWN	J.SANDWELL	20MAR06	tyco		Tyco Electronics Corporation			
DIMENSIONS: mm		CHK	S.PARLOW	20MAR06	Electronics		Bideford, UK, EX39 4HE			
TOLERANCES UNLESS OTHERWISE SPECIFIED:		APVD	F.WHEELER-KING	20MAR06	NAME		BNC T - ADAPTOR JACK - JACK - JACK			
0 PLC ± -		PRODUCT SPEC			SIZE		CAGE CODE	DRAWING NO	RESTRICTED TO	
1 PLC ± -		APPLICATION SPEC			A3		00779	C-1634535	-	
2 PLC ± -		WEIGHT	-		CUSTOMER DRAWING		SCALE	NTS	SHEET 1 OF 1	REV A
3 PLC ± -		MATERIAL		SEE TABLE	FINISH		-			
4 PLC ± -		ANGLES		± -						