

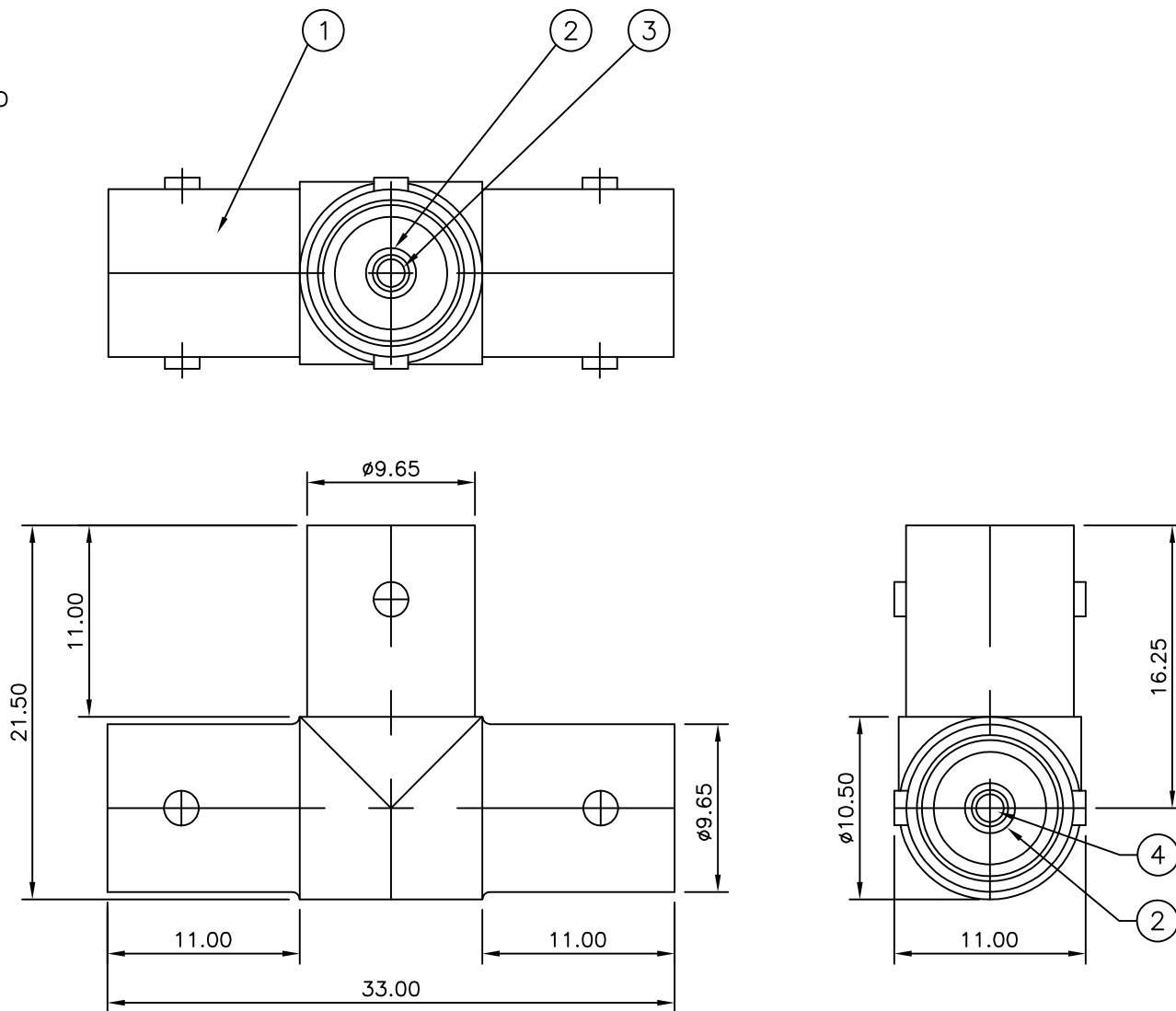
THIS DRAWING IS UNPUBLISHED. RELEASED FOR PUBLICATION MAR , 2006.

© COPYRIGHT 2006 BY TYCO ELECTRONICS CORPORATION. ALL RIGHTS RESERVED.

| | | | | | | | |
|-----|------|-----------|-----|---------------|---------|------|------|
| LOC | DIST | REVISIONS | | | | | |
| E | B | P | LTR | DESCRIPTION | DATE | DWN | APVD |
| | | B | | ECO-09-003420 | 19MAR09 | RITA | BOB |

NOTES

- 1 100 TRAY PACK IN ACCORDANCE WITH AMP SPEC 107-3275
- 2 SINGLE PACK IN ACCORDANCE WITH AMP SPEC 107-3275
- 3 Au PLATING
- 4 Ni PLATING
- 5. FOR TECHNICAL DATA REFER TO YOUR LOCAL TYCO ELECTRONICS SALES OFFICE
- 6. ALL DIMENSIONS ARE NOMINAL FOR REFERENCE ONLY UNLESS OTHERWISE STATED



| | | | | | | | | | | | |
|-------------------|--|--|--|--|--|------|------|-------------------|---|-------------|------------|
| | | | | | | 1 | 1 | PHOS BRONZE | 3 | CONTACT 2 | 4 |
| | | | | | | 1 | 1 | PHOS BRONZE | 3 | CONTACT 1 | 3 |
| | | | | | | 3 | 3 | POLYMETHYLPENTENE | | INSULATOR | 2 |
| | | | | | | 1 | 1 | ZINC ALLOY | 4 | BODY | 1 |
| | | | | | | 5--1 | 5--0 | MATERIAL | | DESCRIPTION | ITEM |
| QUANTITY PER ASSY | | | | | | | | | | | PARTS LIST |

| | | | | | | | | | | | | | | |
|---|--|--------------|----------|--------------------|--|------------------------------------|-------|-----------|-------|------------|-----------|---------------|-----|---|
| THIS DRAWING IS A CONTROLLED DOCUMENT. | | DWN | RITA ZUO | 19MAR09 | Tyco Electronics Corporation Kunshan, Jiangsu, PRC 215312 | | | | | | | | | |
| DIMENSIONS: MM | | CHK | ANSON MA | 19MAR09 | | | | | | | | | | |
| TOLERANCES UNLESS OTHERWISE SPECIFIED: | | APVD | BOB ZHAO | 19MAR09 | NAME | | | | | | | | | |
| 0 PLC ± - 1 PLC ± - 2 PLC ± - 3 PLC ± - 4 PLC ± - ANGLES ± - | | PRODUCT SPEC | | 108-112000 | | BNC T - ADAPTOR JACK - JACK - JACK | | | | | | | | |
| MATERIAL SEE TABLE | | FINISH - | | APPLICATION SPEC - | | SIZE | A3 | CAGE CODE | 00779 | DRAWING NO | C-1634535 | RESTRICTED TO | - | |
| CUSTOMER DRAWING | | | | | | | SCALE | NTS | SHEET | 1 | OF | 1 | REV | B |