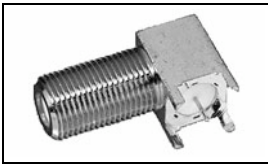


5-1634540-1 Product Details

[Share](#) [Print](#) [Email](#)



5-1634540-1

TE Internal Number: 5-1634540-1

 Active

F Series and G Series RF Connectors

 Always EU RoHS/ELV Compliant (Statement of Compliance)

Product Highlights:

- Connector - RF
- RF Connector Type = F Series
- Type of Connector = F Series
- Jack
- Mount = Printed Circuit Board

[View all Features](#)

Quick Links

- ▶ [Pricing & Availability](#)
- ▶ [Search for Tooling](#)
- ▶ [Product Feature Selector](#)
- ▶ [Contact Us About This Product](#)

[Add to My Part List](#)

[Request Sample](#)

[Find Similar Products](#)

[Buy Product](#)

Documentation & Additional Information

Product Drawings:

- [F SERIES CONNECTOR ELBOW JACK PCB \(PDF, English\)](#)

Catalog Pages/Data Sheets:

- None Available

Product Specifications:

- None Available

Application Specifications:

- None Available

Instruction Sheets:

- None Available

CAD Files:

- None Available

Related Products:

- [Tooling](#)

[List all Documents](#)

Product Features (Please use the Product Drawing for all design activity)

Product Type Features:

- Product Type = Connector - RF
- RF Connector Type = F Series
- Type of Connector = F Series
- Gender = Jack
- PCB Mount Style = Through Hole
- PCB Mounting Orientation = Right Angle
- Dielectric Material = Polyethylene
- Sealed = No

Mechanical Attachment:

- Mount = Printed Circuit Board

Termination Features:

- Termination Post Length (mm [in]) = 1.70 [0.067]

Body Features:

- Body Material = Zinc Alloy
- Body Plating = Nickel over Copper

Contact Features:

- Center Contact Material = Phosphor Bronze
- Center Contact Plating = Tin over Copper

Industry Standards:

- [RoHS/ELV Compliance](#) = RoHS compliant, ELV compliant
- [Lead Free Solder Processes](#) = Wave solder capable to 240°C, Wave solder capable to 260°C, Wave solder capable to 265°C
- [RoHS/ELV Compliance History](#) = Always was RoHS compliant

Conditions for Usage:

- Applies To = Printed Circuit Board

Packaging Features:

- Packaging Quantity = 1

Other:

- Brand = TE Connectivity

Corporate Information

[About TE](#)
[Investors](#)
[News Room](#)
[Supplier Portal](#)
[Careers](#)
[Terms & Conditions](#)
[Privacy Policy](#)

Quick Links

[Distributor Inventory](#)
[Product Cross Reference](#)
[Documents & Drawings](#)
[Product Compliance Support Center](#)
[Site Map](#)

Customer Support

[Email or Chat With Us](#)
[Find a Phone Number](#)
[Knowledge Base](#)
[Manage Your Account](#)

Keep Me Informed

THIS DRAWING IS UNPUBLISHED.

RELEASED FOR PUBLICATION MAR , 2004.

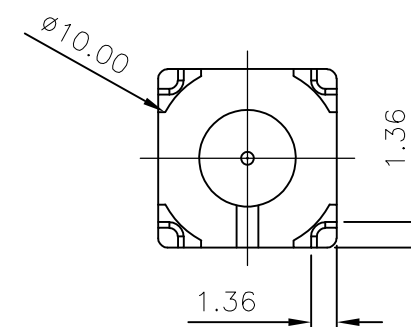
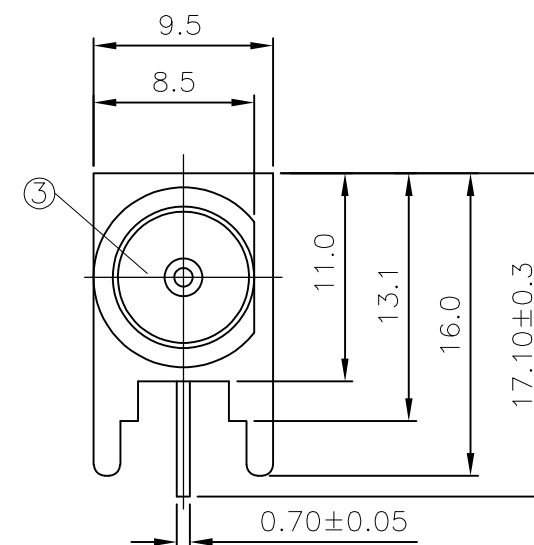
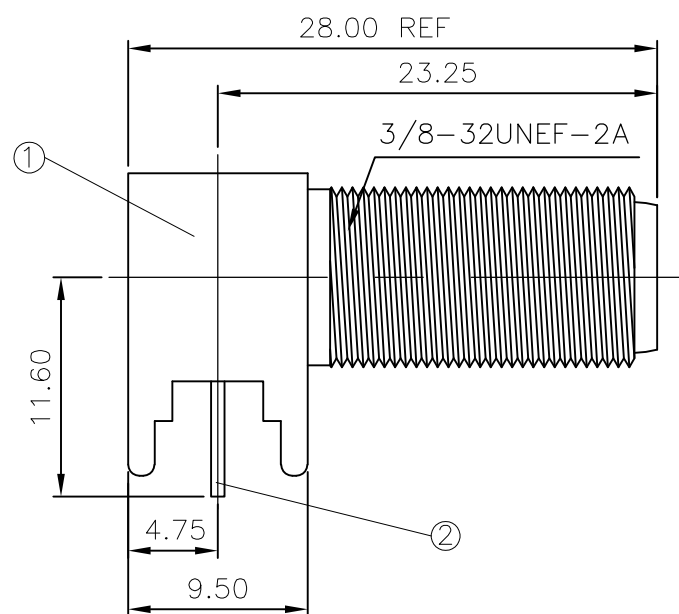
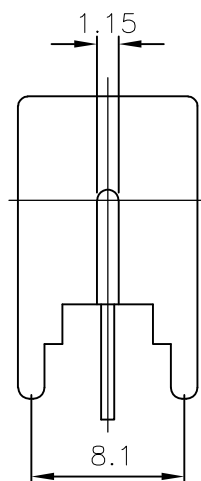
© COPYRIGHT 2004 By -

ALL RIGHTS RESERVED.

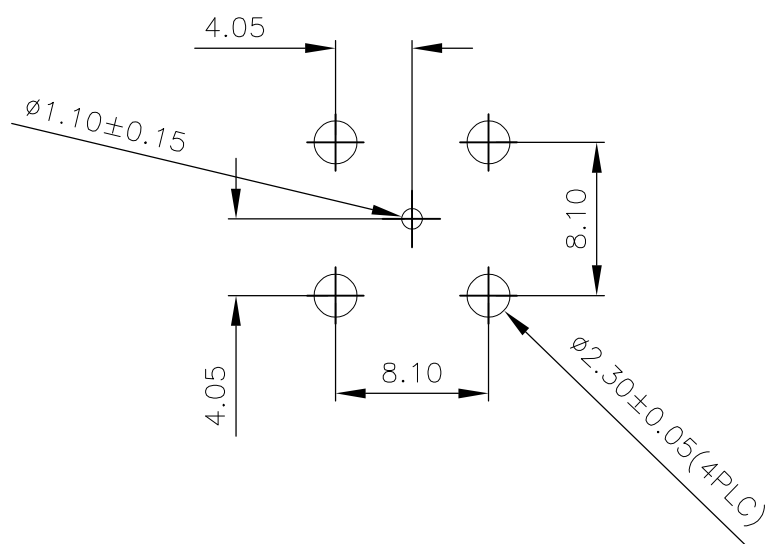
LOC E	DIST B	REVISIONS			DATE	DWN	APVD
P	LTR	DESCRIPTION	DATE	DWN	APVD		
	C	ECO-11-003575	15APR2011	RZ	MY		

NOTES

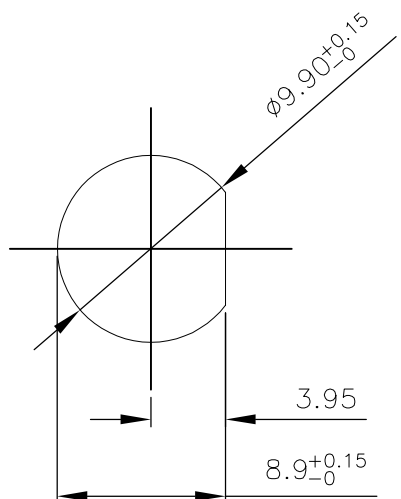
- ① PACKAGING: 50 PCS/TRAY, 20 TRAYS/CTN
- ② PACKAGING: SINGLE PACK, 1PC/BAG, 100 BAGS/BOX, 10 BOXES/CTN
- ③ TIN PLATING
- ④ Ni PLATING
- ⑤ PACKAGING: 100 PCS/BAG, 1BAG/BOX, 10 BOXES/CTN



RECOMMENDED PCB LAYOUT WITH MOUNTING POSTS



RECOMMENDED MOUNTING HOLE



					1	1	1	TPX	INSULATOR	3
					1	1	1	PHOS BRONZE ③	CONTACT	2
					1	1	1	ZINC ALLOY ④	BODY	1
					5--2	5--1	5--0	MATERIAL	DESCRIPTION	ITEM
					⑤	②	①			
QUANTITY PER ASSY							PARTS LIST			

THIS DRAWING IS A CONTROLLED DOCUMENT.		DWN ANSON MA 14FEB09	STE TE Connectivity			
		CHK RITA ZUO 14FEB09				
		APVD BOB ZHAO 14FEB09	NAME			
		PRODUCT SPEC 108-112000	F SERIES CONNECTOR ELBOW JACK PCB			
		APPLICATION SPEC	-			
		WEIGHT -	SIZE A3	CAGE CODE 00779	DRAWING NO C-1634540	RESTRICTED TO -
MATERIAL -		FINISH -	SCALE NTS		SHEET 1 OF 1	REV C
		CUSTOMER DRAWING				