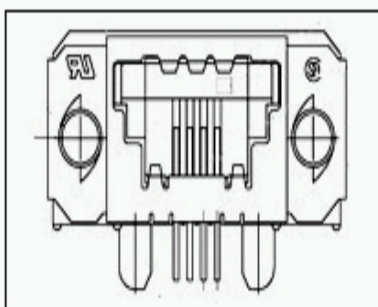


## 5-1761185-1 Product Details

Have a Question?

Chat with a Product Information Specialist



5-1761185-1

### SDL (Shielded Data Link)

[Always EU RoHS/ELV Compliant \(Statement of Compliance\)](#)

#### Product Highlights:

- Connector
- Receptacle
- Receptacle Configuration = Standard
- Number of Conductors = 4
- Keying = E

[View all Features](#)

TE Internal Number: 5-1761185-1

**Active**

[View 3D PDF](#)

[Add to My Part List](#) [Request Sample](#) [Find Similar Products](#) [Buy Product](#)

#### Quick Links

- ▶ [Check Pricing & Availability](#)
- ▶ [Search for Tooling](#)
- ▶ [Product Feature Selector](#)
- ▶ [Contact Us About This Product](#)

### Documentation & Additional Information

#### Product Drawings:

- [RECEPTACLE ASSEMBLY, SIDE ENTRY WITH GROUND, SDL \(PDF, English\)](#)

#### Catalog Pages/Data Sheets:

- None Available

#### Product Specifications:

- [Connector, SDL \(PDF, English\)](#)
- [Connector, SDL \(PDF, Japanese\)](#)

#### Application Specifications:

- [SDL Top-Entry and Side-Entry Printed Circuit \(PC\) Bo... \(PDF, English\)](#)

#### Instruction Sheets:

- [SDL Plugs and Receptacles \(PDF, English\)](#)

#### CAD Files: [\(CAD Format & Compression Information\)](#)

- [2D Drawing \(DXF, Version B2\)](#)
- [3D Model \(IGES, Version B2\)](#)
- [3D Model \(STEP, Version B2\)](#)

#### Additional Information:

- [Product Line Information](#)

#### Related Products:

- [Tooling](#)

[List all Documents](#)

### Product Features (Please use the Product Drawing for all design activity)

#### Product Type Features:

- [Product Type](#) = Connector
- [Gender](#) = Receptacle
- [Receptacle Configuration](#) = Standard
- [Number of Conductors](#) = 4
- [Grounding Options](#) = PCB and Panel Ground
- [PCB Mount Retention](#) = With
- Shield Material = Brass
- Comment = Prefix no. designates key configuration. Suffix no. is a code for the number of conductors. Prefix & suffix nos. of plug assemblies must match those of the intended mating receptacle. Keys are molded in as an integral part of the plug & receptacle.

#### Mechanical Attachment:

- [Keying](#) = E

#### Body Related Features:

- [PCB Mount Retention Type](#) = Mounting Holes
- Shield Plating = Tin over Copper

#### Contact Related Features:

- Contact Base Material = Phosphor Bronze
- Contact Plating, Mating Area, Material = Gold (50)

#### Housing Related Features:

- [Housing Entry Style](#) = Side
- [Housing Material](#) = Polyester
- Housing Color = Black
- UL Flammability Rating = UL 94V-0

#### Industry Standards:

- [RoHS/ELV Compliance](#) = RoHS compliant, ELV compliant
- [Lead Free Solder Processes](#) = Wave solder capable to 240°C, Wave solder capable to 260°C, Wave solder capable to 265°C
- RoHS/ELV Compliance History = Always was RoHS compliant

#### Other:

- Brand = AMP

[BOOKMARK](#)

#### Corporate Information

- [Who We Are](#)
- [Investors](#)
- [News Room](#)
- [Supplier Portal](#)
- [Careers](#)

#### Quick Links

- [Check Distributor Inventory](#)
- [Cross Reference](#)
- [Find Documents & Drawings](#)
- [Product Compliance Support Center](#)
- [Site Map](#)

#### Customer Support

- [Email or Chat with Us](#)
- [Find a Phone Number](#)
- [Search Knowledge Base](#)
- [Manage Your Account](#)

#### Sign up for our eNewsletter

Enter your email address

#### Follow Us On:



Visit Us On:

