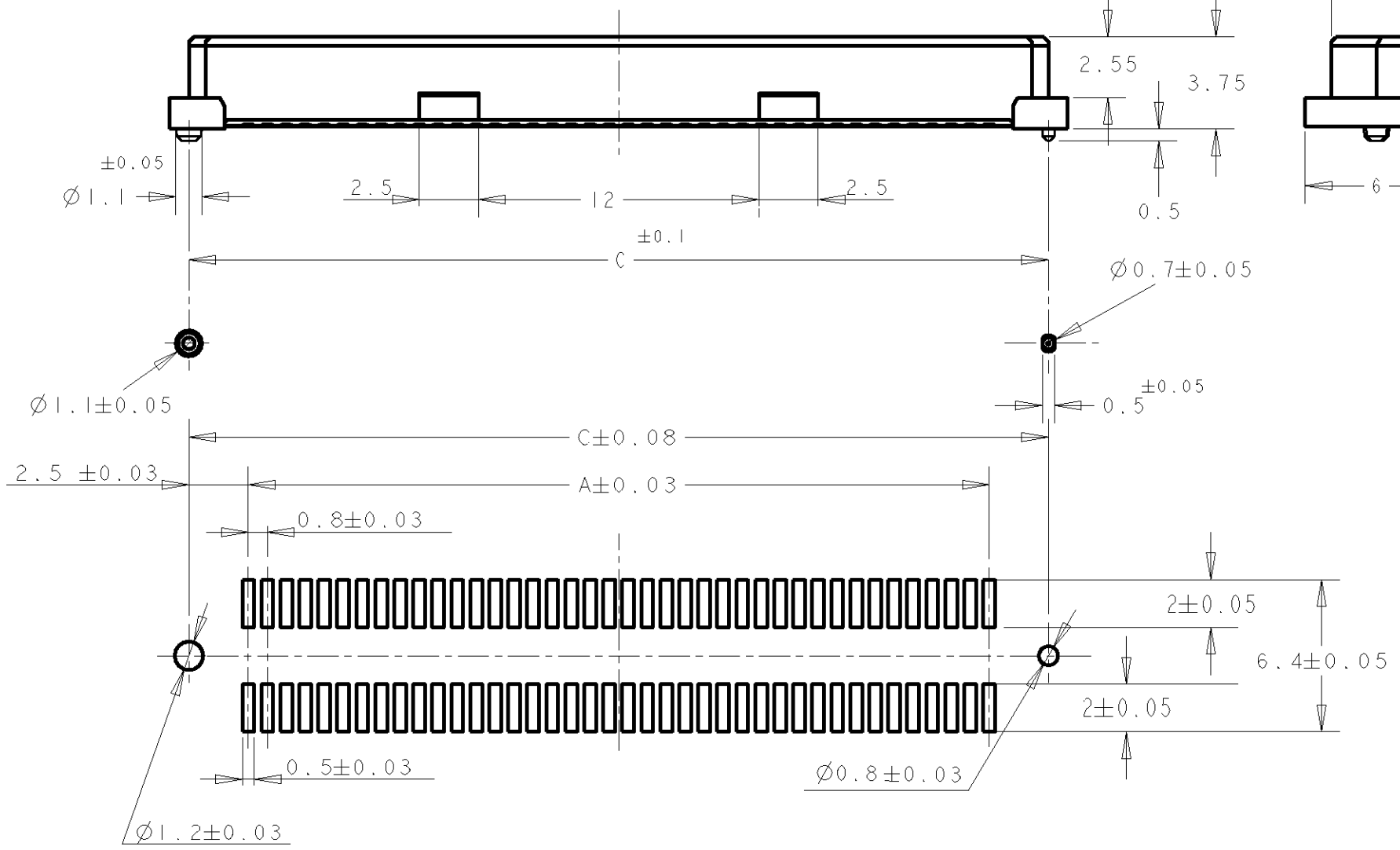
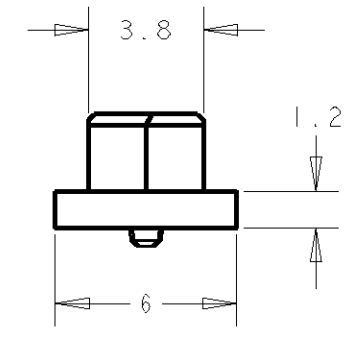
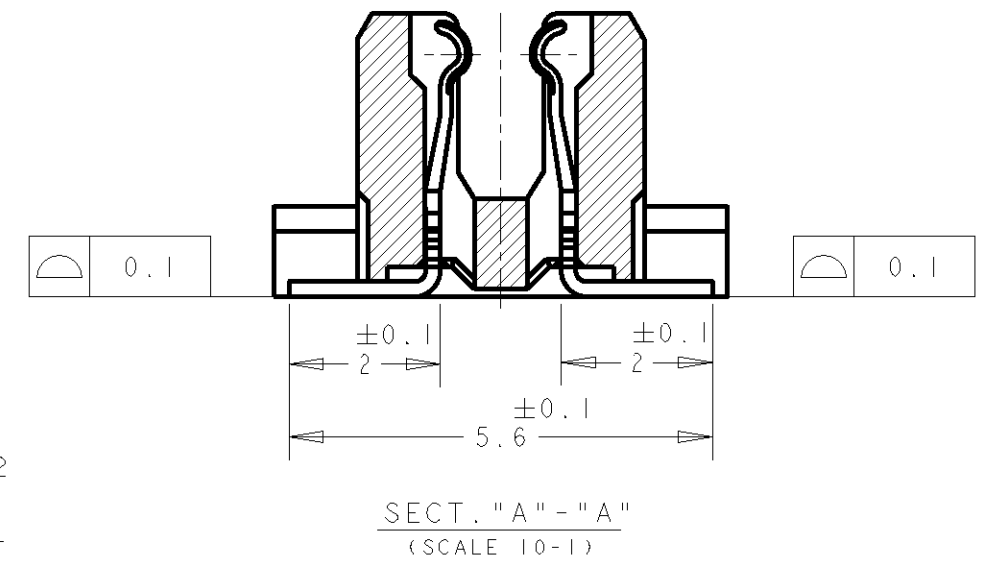
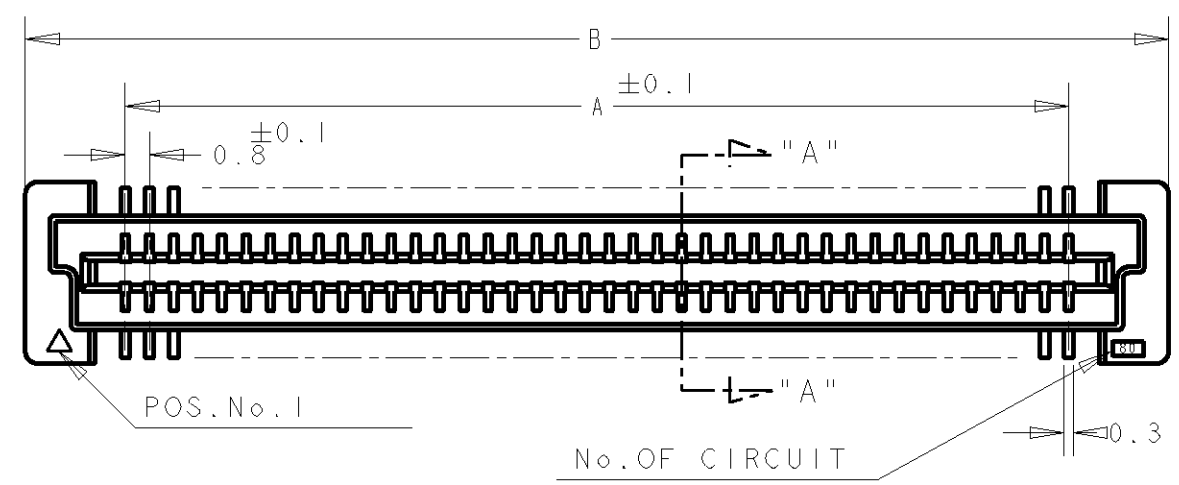


THIS DRAWING IS UNPUBLISHED. RELEASED FOR PUBLICATION .19 .  
 © COPYRIGHT 19 BY AMP INCORPORATED. ALL RIGHTS RESERVED.

LOC	DIST	REVISIONS			
P	LTR	DESCRIPTION	DATE	DWN	APVD
DI	-	AI REVISED PER ECR-06-009420	19APR06	SYJ	LSF



NOTES:

- 1. MATERIAL; HOUSING: L.C.P. (HIGH TEMP THERMO PLASTIC) UL 94V-0, NATURAL. CONTACT: BERYLIUM COPPER.
- 2. FINISH: CONTACT AREA: 0.0002 MIN GOLD ON 0.0013 MIN ALL OVER NICKEL. SOLDERING AREA: 0.001 MIN MATTE TIN.
- 3. POSITION SERIES; SEE TABLE.
- 4. CONN STACK HEIGHT COMBINE OF PLUG "Y" H VS REC "X" H. STACK HEIGHT = Y + X - 5
- 5. FINISH: CONTACT AREA: 0.00038 MIN GOLD ON 0.0013 MIN ALL OVER NICKEL. SOLDERING AREA: 0.001 MIN MATTE TIN.

P/N SEE SHEET 2 OF 2.

RECOMMENDED P.C. BOARD LAYOUT

THIS DRAWING IS A CONTROLLED DOCUMENT FOR AMP INCORPORATED. IT IS SUBJECT TO CHANGE AND THE CONTROLLING ENGINEERING ORGANIZATION SHOULD BE CONTACTED FOR THE LATEST REVISION.		DWN SK LEAW 17MAY2004	Tyco Electronics Singapore Pte. Ltd.	
DIMENSIONS: mm		CHK ERIC TNG	NAME RECEPTACLE ASSEMBLY 5H TYPE (0.5 BOSS LENGTH) FOR FH0.8MM PITCH B-T-B CONNECTOR	
TOLERANCES UNLESS OTHERWISE SPECIFIED: 0 PLC ±- 1 PLC ±0.3 2 PLC ±0.25 3 PLC ±0.2 4 PLC ±- ANGLES ±3°		APVD SF IFONG	DRAWING NO C-5177983	
MATERIAL -		PRODUCT SPEC -	SIZE A3	CAGE CODE 00779
FINISH SEE P/N TABLE		APPLICATION SPEC -	SCALE 4:1 SHEET 1 OF 2 REV A1	
MATERIAL -		WEIGHT -	CUSTOMER DRAWING	

4

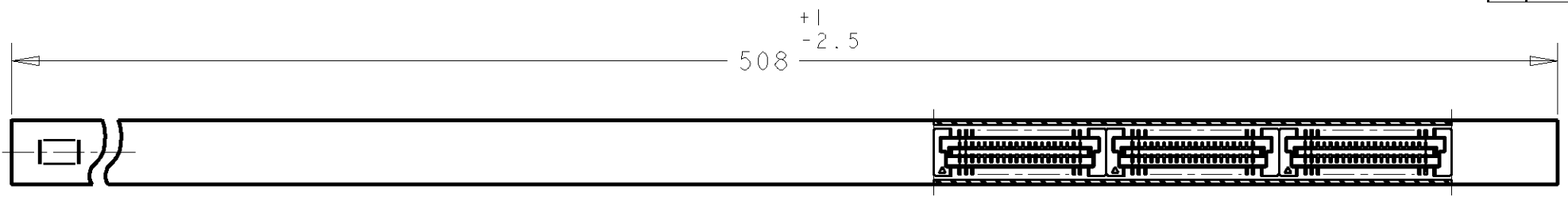
3

2

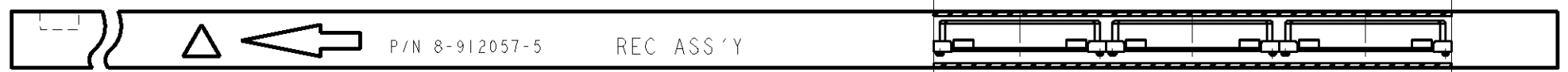
1

THIS DRAWING IS UNPUBLISHED. RELEASED FOR PUBLICATION .19  
 © COPYRIGHT 19 BY AMP INCORPORATED. ALL RIGHTS RESERVED.

LOC	DIST	REVISIONS				
P	LTR	DESCRIPTION	DATE	DWN	APVD	
DY	-	- SEE SHEET 1 OF 2	-	-	-	

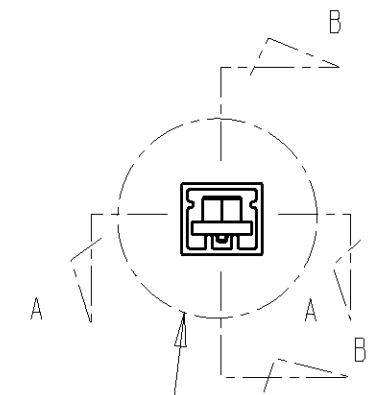


SECT A-A

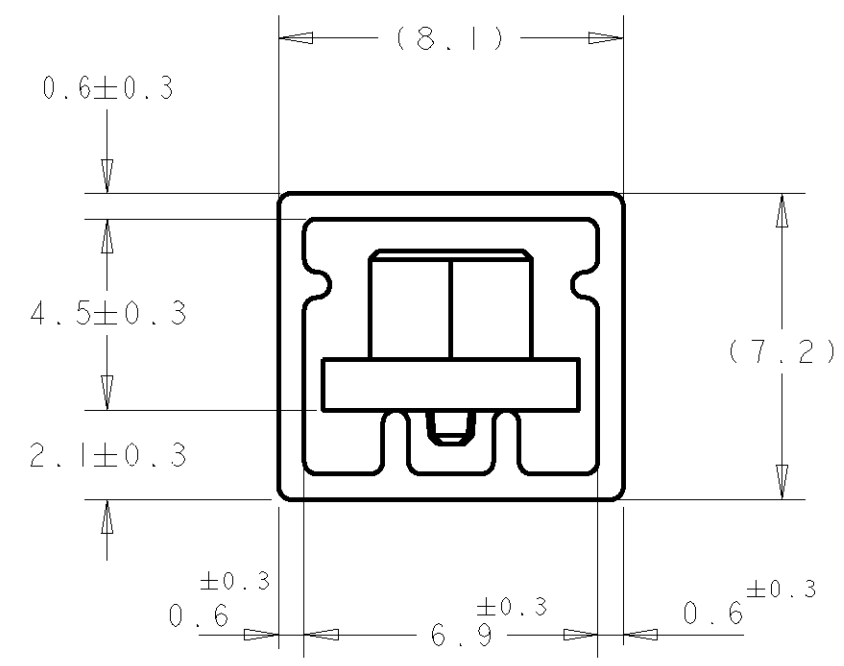


REFERENCE PICTURE OF TUBE PACK

SECT B-B



DETAIL A



DETAIL A

5	9	52.2	53.8	47.2	120	1-	-5
	5	84.2	85.8	79.2	200	1-	-0
	6	76.2	77.8	71.2	180		-9
	6	68.2	69.8	63.2	160		-8
	7	60.2	61.8	55.2	140		-6
	9	52.2	53.8	47.2	120		-5
	10	44.2	45.8	39.2	100		-4
	12	36.2	37.8	31.2	80		-3
	16	28.2	29.8	23.2	60		-2
	22	20.2	21.8	15.2	40		5177983-1
FINISH	QTY	C	B	A	POS	CONN P/N	

<small>THIS DRAWING IS A CONTROLLED DOCUMENT FOR AMP INCORPORATED. IT IS SUBJECT TO CHANGE AND THE CONTROLLING ENGINEERING ORGANIZATION SHOULD BE CONTACTED FOR THE LATEST REVISION.</small>		DWN SK LEAW 17MAY2004 CHK ERIC TNG 17MAY2004 APVD S.F. LEONG 27OCT2005	Tyco Electronics Singapore Pte. Ltd.		
DIMENSIONS: mm	TOLERANCES UNLESS OTHERWISE SPECIFIED: 0 PLC ±- 1 PLC ±0.3 2 PLC ±0.25 3 PLC ±0.2 4 PLC ±- ANGLES ±3°	PRODUCT SPEC - APPLICATION SPEC - WEIGHT -	NAME RECEPTACLE ASSEMBLY 5H TYPE (0.5 BOSS LENGTH) FOR FH0.8MM PITCH B-T-B CONNECTOR		
MATERIAL -	FINISH -	CUSTOMER DRAWING	SIZE A3	CAGE CODE 00779	DRAWING NO. 5177983
			SCALE -	SHEET 2 OF 2	REV A1